

AITANA

GABRIEL
TEIXIDÓ
2007

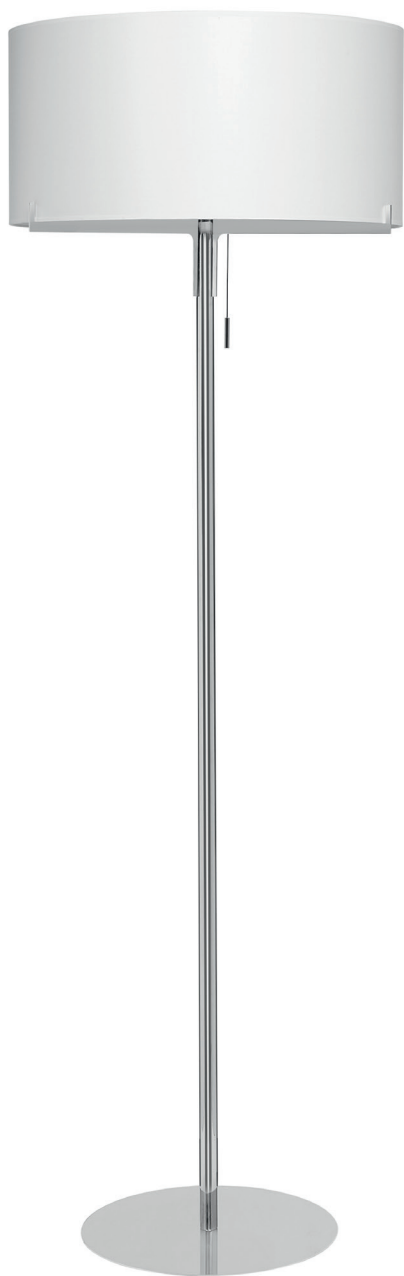


CARPYEN
BARCELONA

Carpylum70 S.L.
C/ Pere IV 78-84 E-08005 Barcelona
T +34 93 320 99 90

Spain: comercial@carpyen.com
Export: export@carpyen.com
Special project: antony@carpyen.com

AITANA FLOOR LAMP



CARPYEN
BARCELONA

Carpellum70 S.L.
C/ Pere IV 78-84 E-08005 Barcelona
T +34 93 320 99 90

Spain: comercial@carpyen.com
Export: export@carpyen.com
Special project: antony@carpyen.com

AITANA FLOOR LAMP



CARPYEN
BARCELONA

Carpylum70 S.L.
C/ Pere IV 78-84 E-08005 Barcelona
T +34 93 320 99 90

Spain: comercial@carpyen.com
Export: export@carpyen.com
Special project: antony@carpyen.com

AITANA FLOOR LAMP

Materiales / Materials Matériaux / Matters

Estructura: metal
Structure: metal
Structure: métal
Struktur: Metall

Pantalla: algodón
Shade: cotton
Abat-jour: coton
Schirm: Baumwolle

Acabados / Finishes Finitions / Ausführung



Níquel mate
Matt nickel
Nickel mat
Nickel matt



Negro
Black
Noir
Schwarz



Blanco
White
Blanc
Weiss

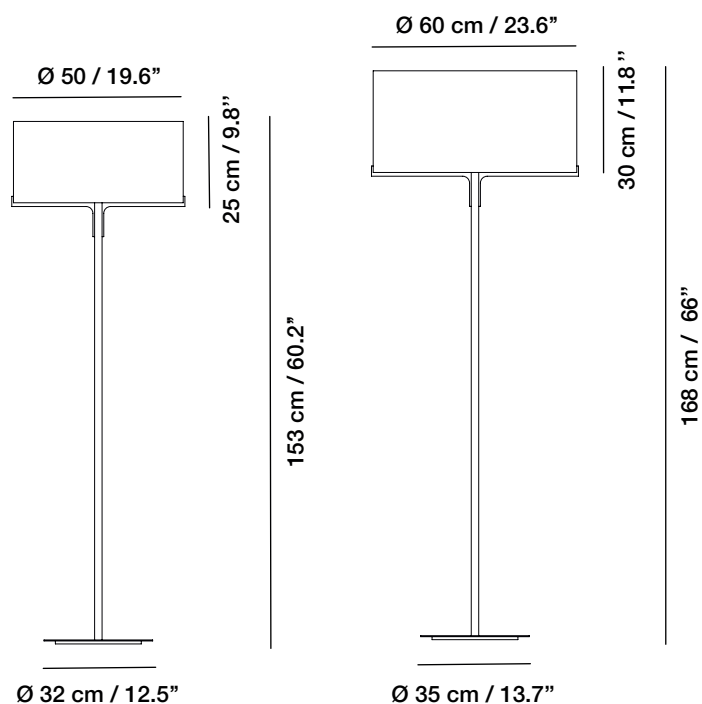
LED

Sin bombilla / Without bulb /
Sans ampoule / Ohne Glühbirne

2 x E27 LED
30 W / 220-240 V / 50-60 Hz



Medidas / Measures / Measurements / Mittengun



AITANA SUSPENSION LAMP



AITANA SUSPENSION LAMP



CARPYEN
BARCELONA

Carpylum70 S.L.
C/ Pere IV 78-84 E-08005 Barcelona
T +34 93 320 99 90

Spain: comercial@carpyen.com
Export: export@carpyen.com
Special project: antony@carpyen.com

AITANA SUSPENSION LAMP

Materiales / Materials Matériaux / Matters

Estructura: metal
Structure: metal
Structure: métal
Struktur: Metall

Pantalla: algodón
Shade: cotton
Abat-jour: coton
Schirm: Baumwolle

Acabados / Finishes Finitions / Ausführung



Níquel mate
Matt nickel
Nickel mat
Nickel matt



Negro
Black
Noir
Schwarz



Blanco
White
Blanc
Weiss

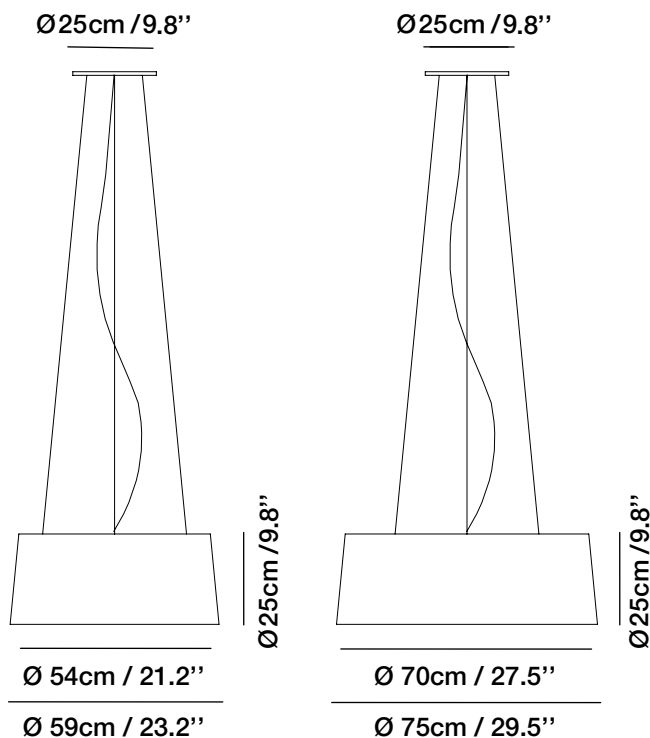
LED

Sin bombilla / Without bulb /
Sans ampoule / Ohne Glühbirne

2 x E27 LED
25 W / 220-240 V / 50-60 Hz



Medidas / Measures / Measurements / Mittengun



AITANA TABLE LAMP



CARPYEN
BARCELONA

Carpylum70 S.L.
C/ Pere IV 78-84 E-08005 Barcelona
T +34 93 320 99 90

Spain: comercial@carpyen.com
Export: export@carpyen.com
Special project: antony@carpyen.com

AITANA TABLE LAMP



CARPYEN
BARCELONA

Carpylum70 S.L.
C/ Pere IV 78-84 E-08005 Barcelona
T +34 93 320 99 90

Spain: comercial@carpyen.com
Export: export@carpyen.com
Special project: antony@carpyen.com

AITANA TABLE LAMP

Materiales / Materials Matériaux / Matters

Estructura: metal
Structure: metal
Structure: métal
Struktur: Metall

Pantalla: algodón
Shade: cotton
Abat-jour: coton
Schirm: Baumwolle

Acabados / Finishes Finitions / Ausführung



Níquel mate
Matt nickel
Nickel mat
Nickel matt



Negro
Black
Noir
Schwarz



Blanco
White
Blanc
Weiss

LED

Sin bombilla / Without bulb /
Sans ampoule / Ohne Glühbirne

2 x E27 LED
30 W / 220-240 V / 50-60 Hz



Medidas / Measures / Measurements / Mittengun

