







SETTING FITTINGS			DR-136X-01-A		
FITTINGS	SPEC.	AMOUNT	FITTINGS	SPEC.	AMOUNT
A	 M8x15	16pcs	B	 5mm	2pcs
C	 ϕ 25	4pcs	D		2pcs
E	 3.5x30	2pcs	F		1pcs

FIG.
1

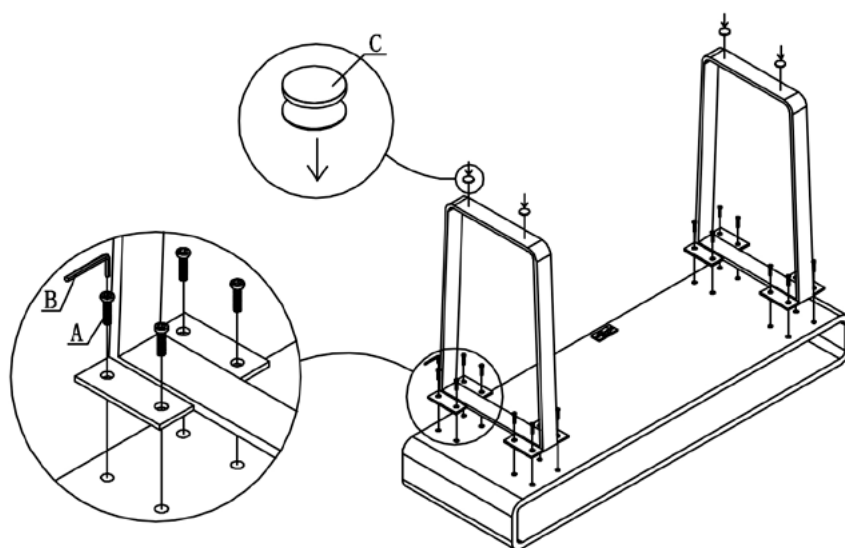


FIG.
2

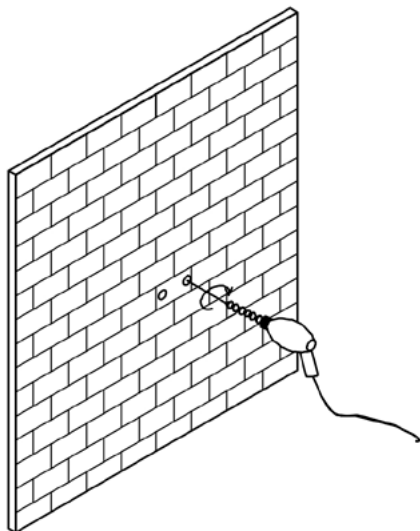


FIG.
3

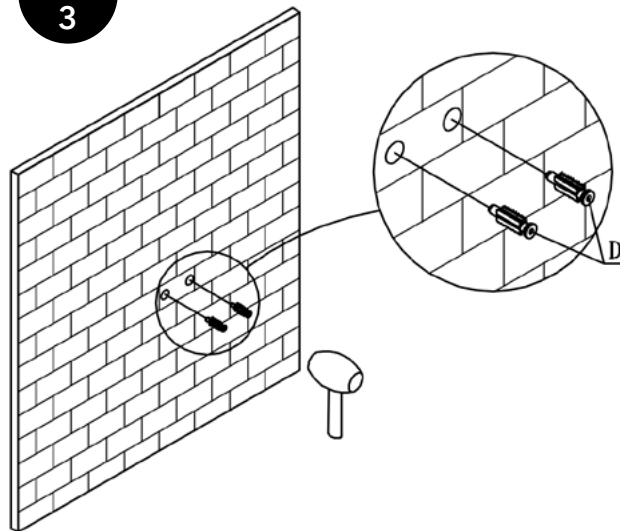


FIG.
4

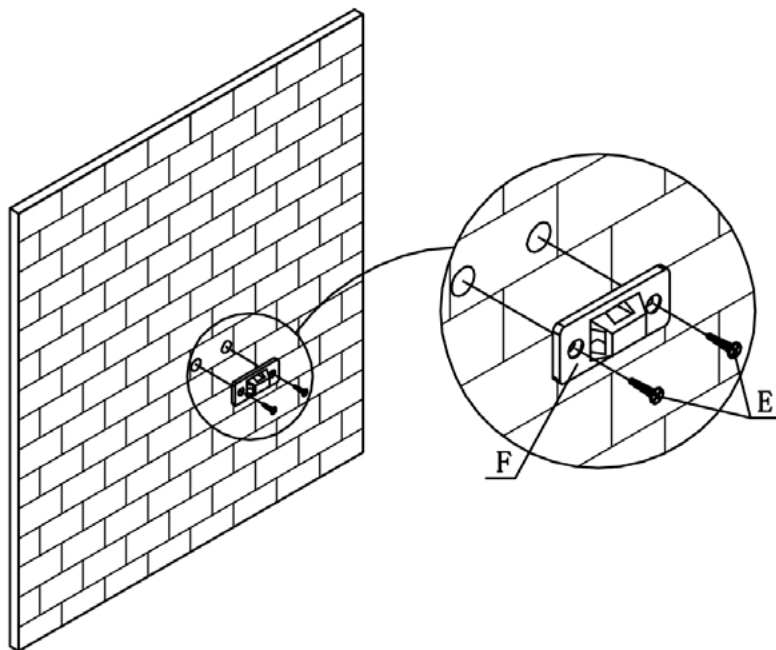


FIG.
1

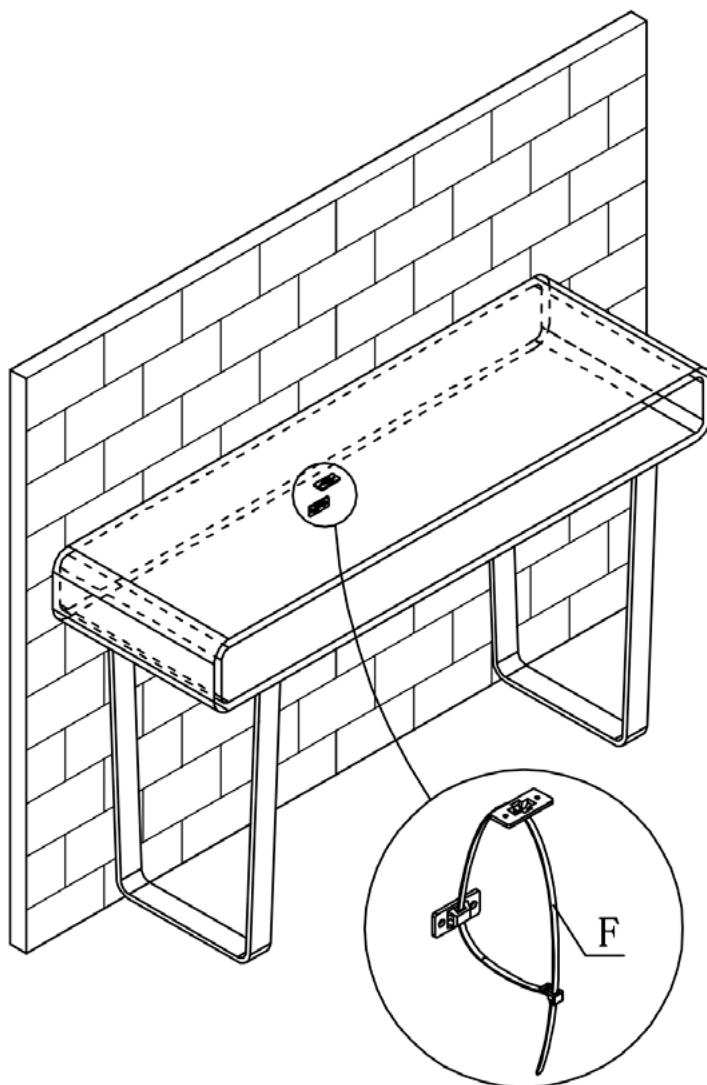
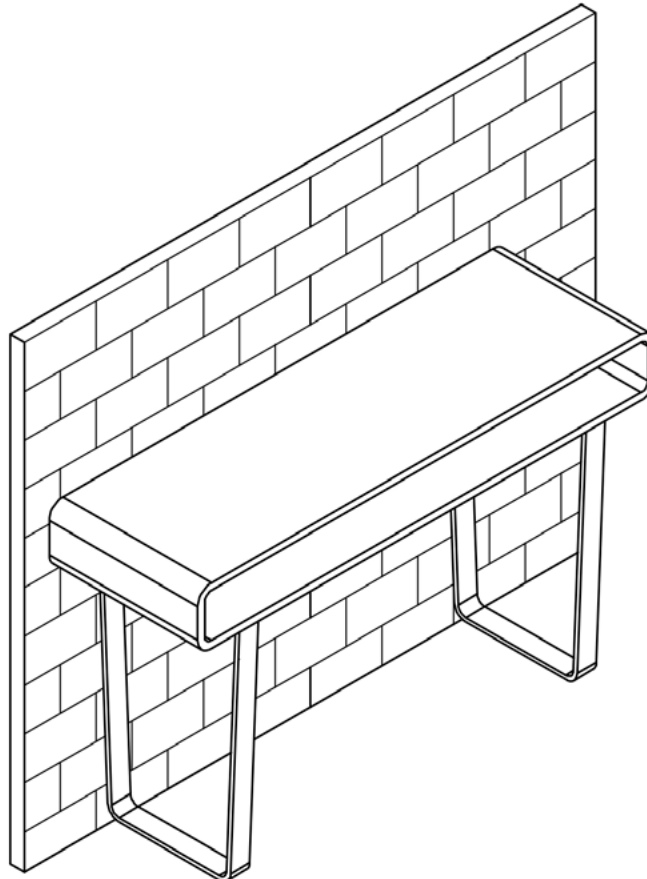


FIG.
2



Anti-Tip Kit

It is recommended that the Anti-Tip Kit included with this product be installed for added safety and stability. It is essential to use wall anchors appropriate for your wall type (i. e. plaster, drywall, concrete, etc.), along with appropriate screws, for proper mounting. The screws included in this Anti-Tip Kit may not be suited for all wall types. Mounting to wood studs is recommended. Consult a qualified professional or your local hardware store for appropriate mounting hardware suited for your specific wall medium.