

Model **BOLERO** **ARMCHAIR BED**



Guarantee

Frame and Seat Suspension	Lifetime warranty
Rest of Pieces	2 years*

*6-month guaranty extension by activating it on the web

Cushions Measures

Arm cushion 48 x 48 cm

Packaging

Shrink wrapping plastic packaging with protective corner brackets

Options



Types of Standard Foam

Hardness: Soft: Grey colour 30Kg	Hardness: Medium: White colour 35Kg	Hardness: Hard: Green colour 30Kg
--	---	---

Types of Fire Retardant Foam

Hardness: Medium: Yellow colour 33Kg	Hardness: Soft: White colour 36Kg
--	---

* You can request a different seat hardness from the standard of the model with a small price increase

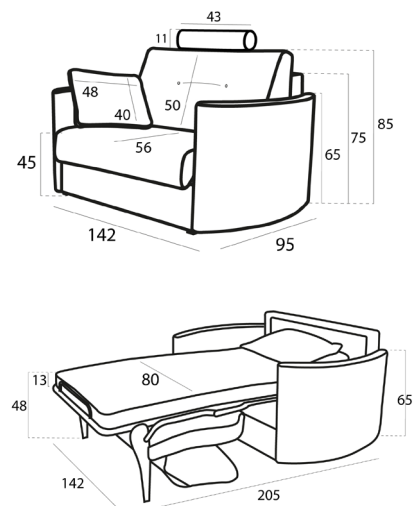
Technical Information

Frame	Frame of pine wood and MDF
Bed mechanism	Carbon steel
Seat Suspension	N.E.A. 10 Years Guarantee
Back Suspension	
Seat Foam	Polyurethane 35kg + fibre
Seat Firmness	Medium Foam (white)
Back Cushions	Fibre fibersilk 100%
Loose Cushions	Fibre fibersilk 100%
Legs Options	Wooden
Colours	Natural, Cherry, Walnut, Wengue
Comments:	* Would you like to know more? Check the FAQs section in our website

Measures

Width	142 cm
Height	85 cm
Depth	95 cm
Seat Height	45 cm
Arm Height	65 cm
Back Height	75 cm
Depth when open	205 cm
Net Weight	- kg
Gross Weight	- kg
Volume m ³	- m3

Scheme



Mattress structure 195x80x13

1. Padding material
2. Viscoelastic - 2 cm
3. Hard foam 28 kg - 10.5 cm

BOLERO ARMCHAIR BED is manufactured by Fama, whose quality system is certified by AENOR and IQNET according to the ISO 9001-2015 standards, with the certificate number ES-0790/1999. In addition to the Environmental Management Certificate according to ISO 14001-2019.

All models have passed the tests required for granting the quality control label from Aidima-Cetem laboratories.



Enjoy the new design
made in
Spain

fama