



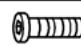

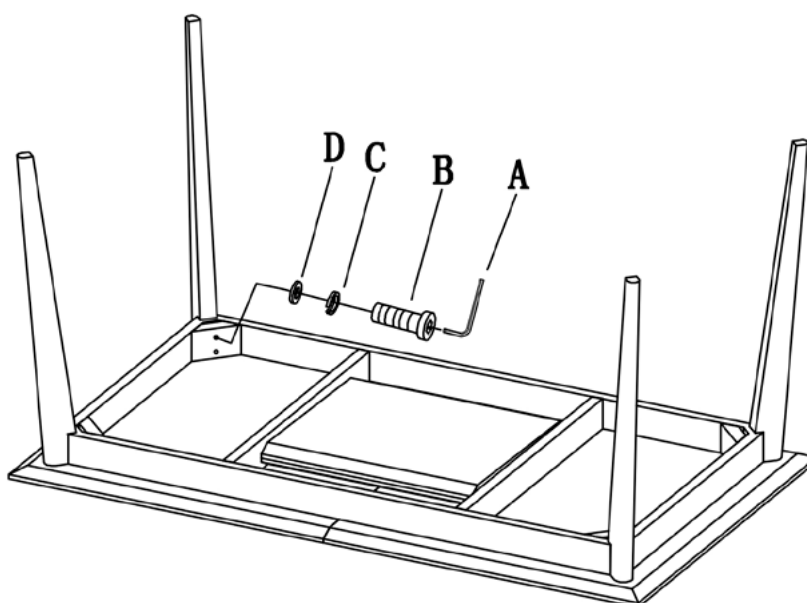
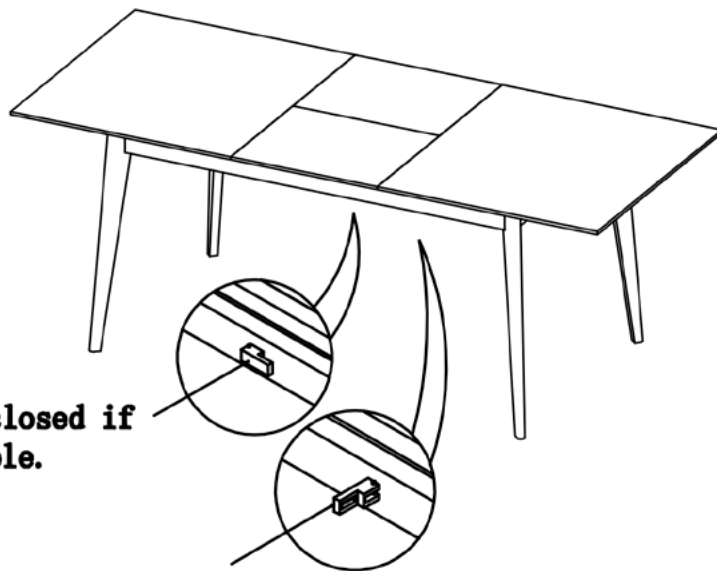
D	∅8		8
C	∅8		8
B	M8x70		8
A	5mm		1
NO.	SIZE	DIAGRAM	QTY

FIG.  
1



**FIG.  
2**



**Please keep this lock closed if  
you want to fix the table.**

**Please open this lock if you want to open  
or close the table top.**

**FIG.  
3**

