

# ASSEMBLY INSTRUCTION

## CP1302-H-1139



A x5  
Spec: M6x25



B x5  
Spec: M18x8.2x2



C x4  
Spec: 38x38



D x2  
Spec: Ø3.5xL35



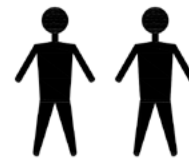
E x2  
Spec:



F x3  
Spec: 10x4x1



G x1  
Spec: Ø4xL16



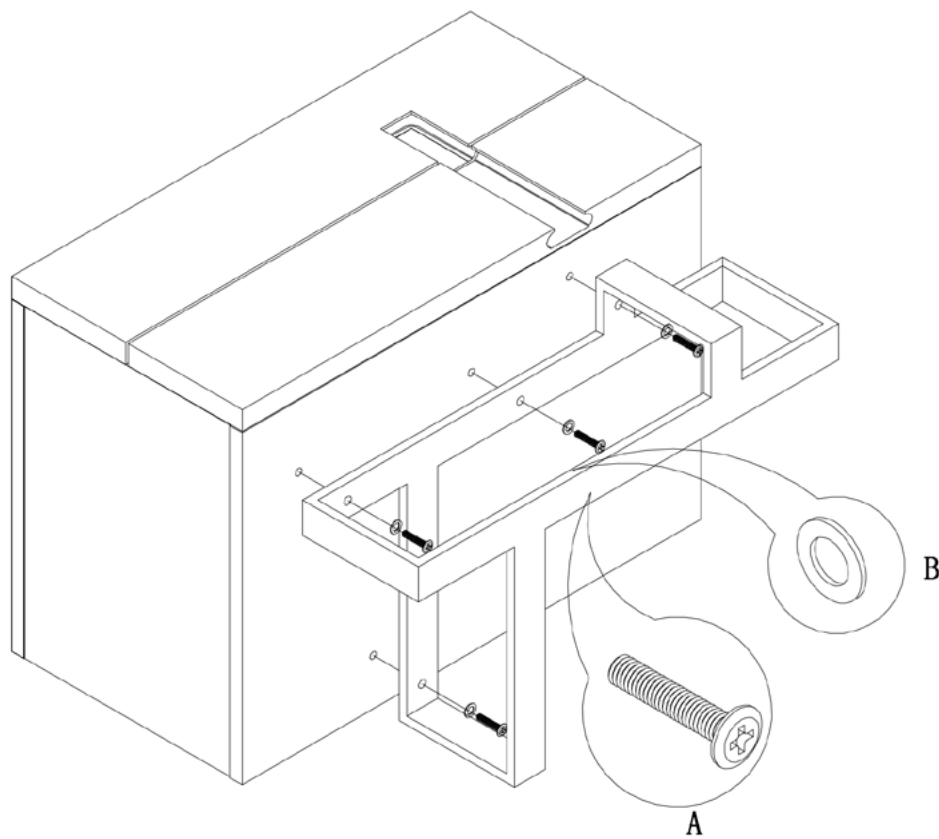
H x1  
Spec:



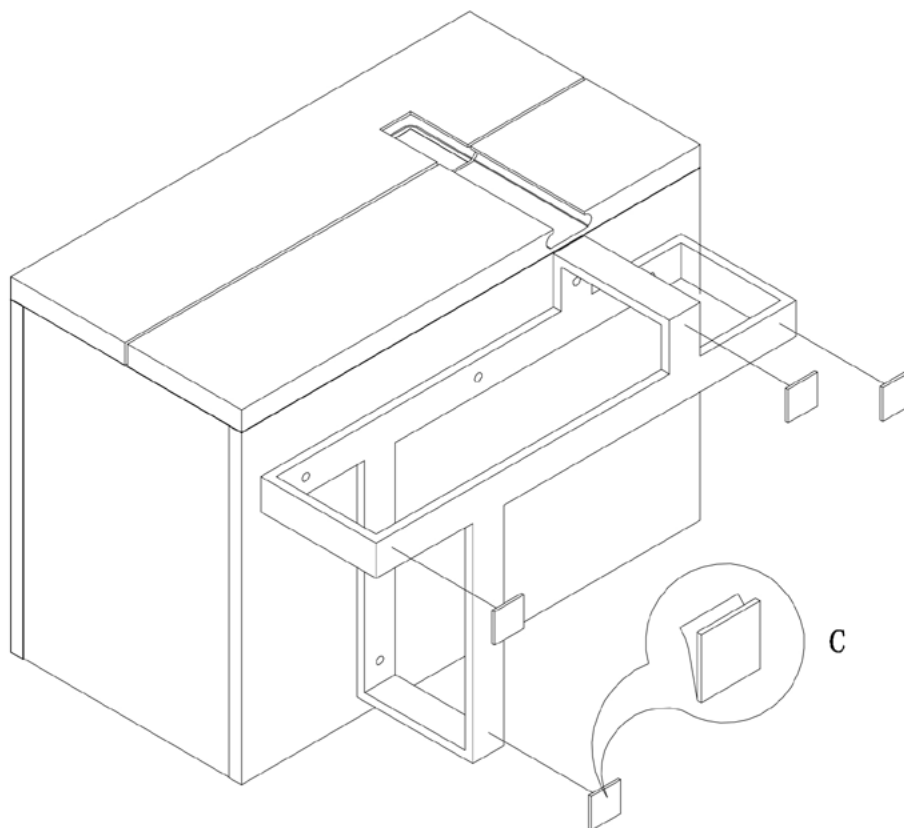
I x1  
Spec:



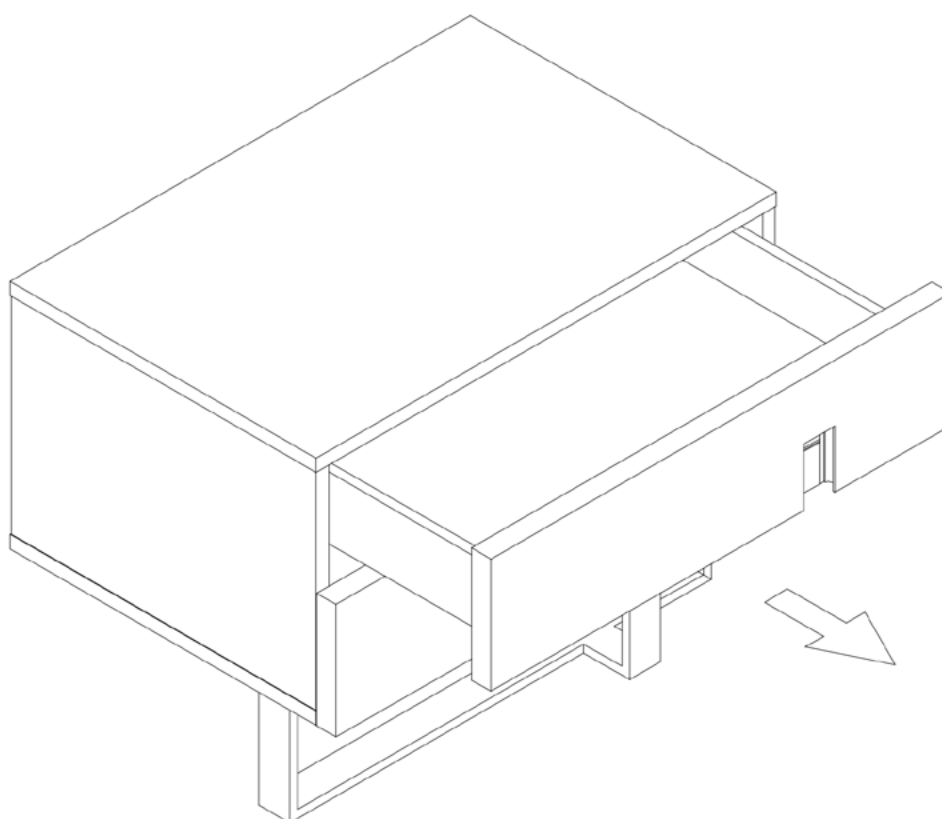
FIG.  
1



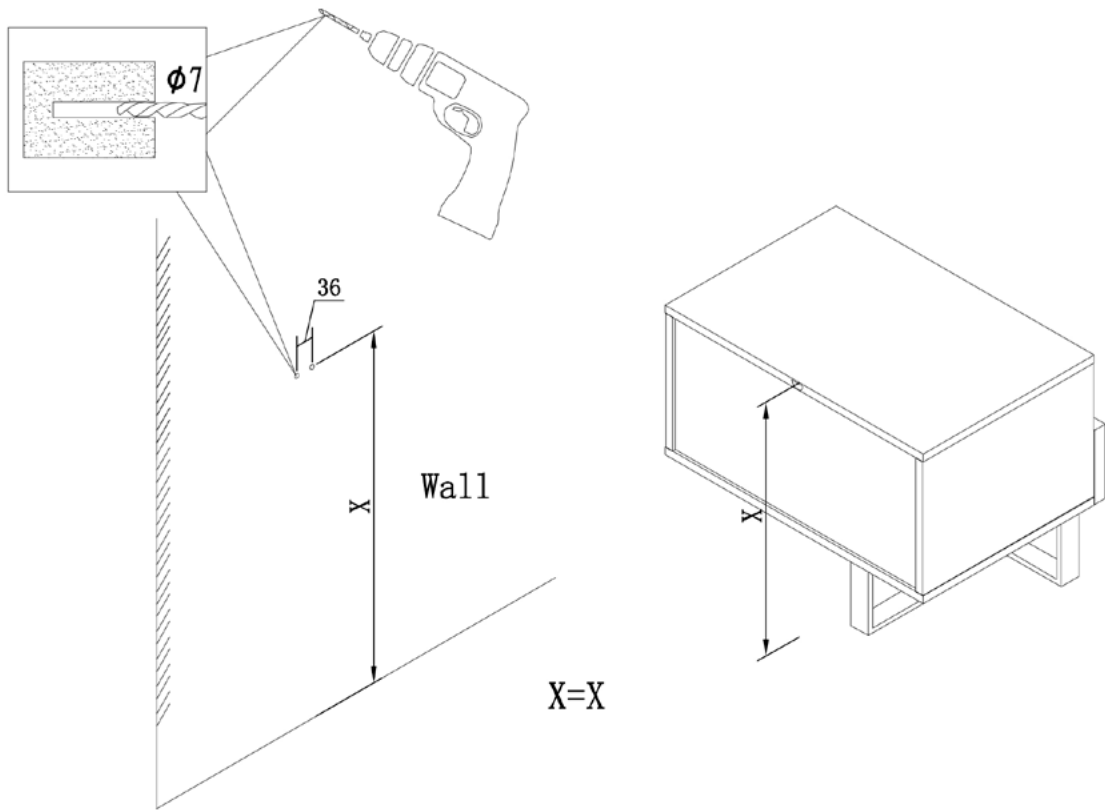
**FIG.**  
**2**



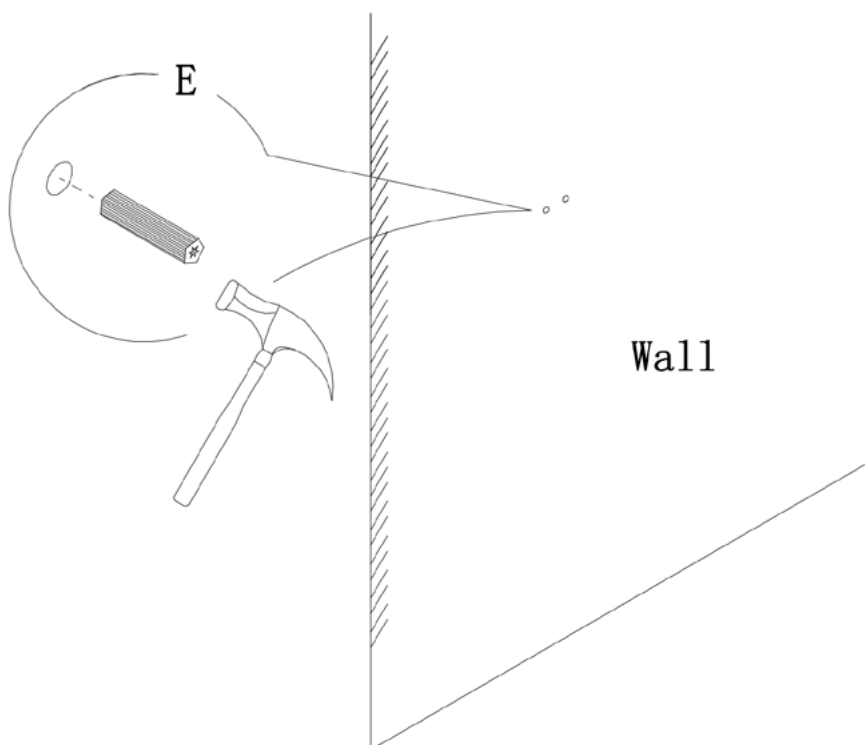
**FIG.**  
**3**



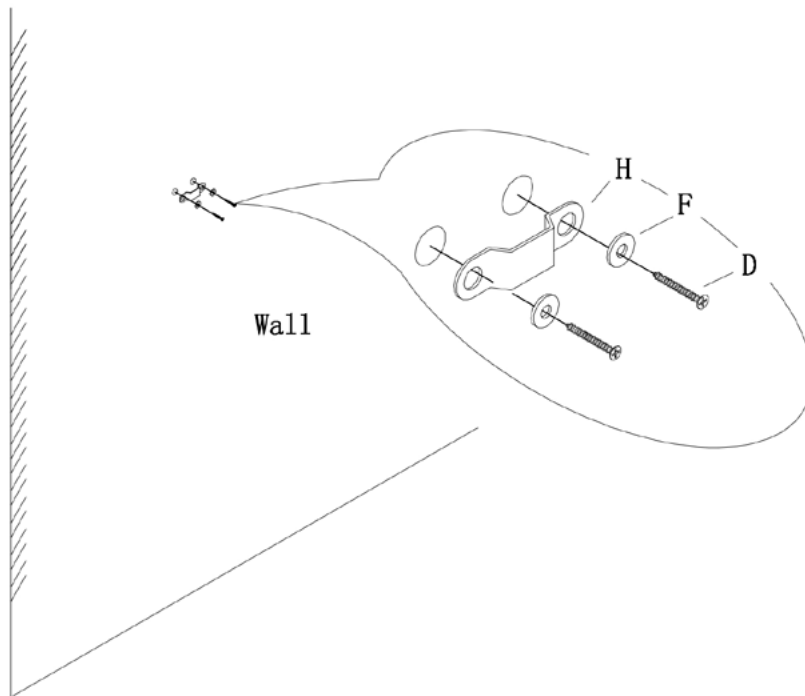
**FIG.**  
**4**



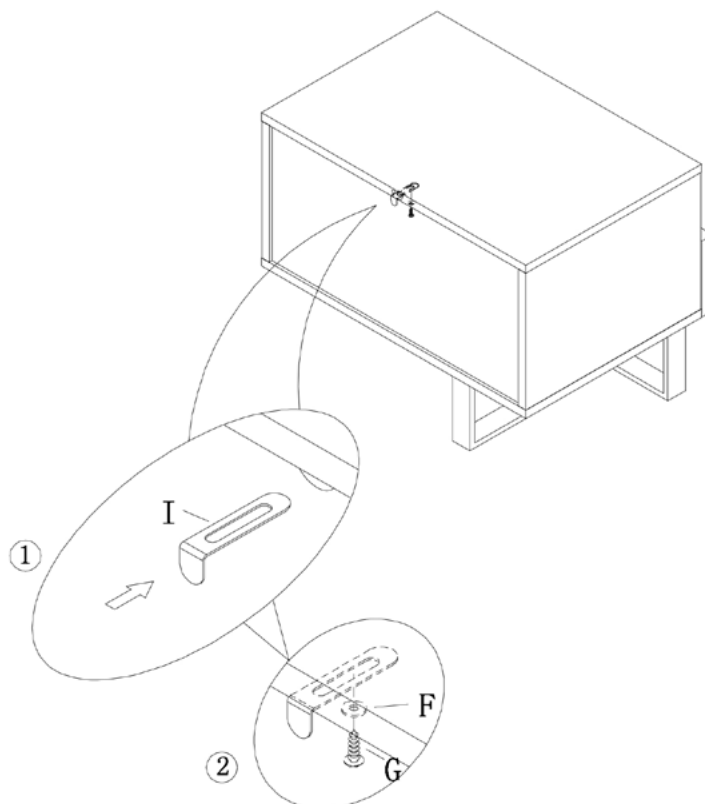
**FIG.**  
**5**



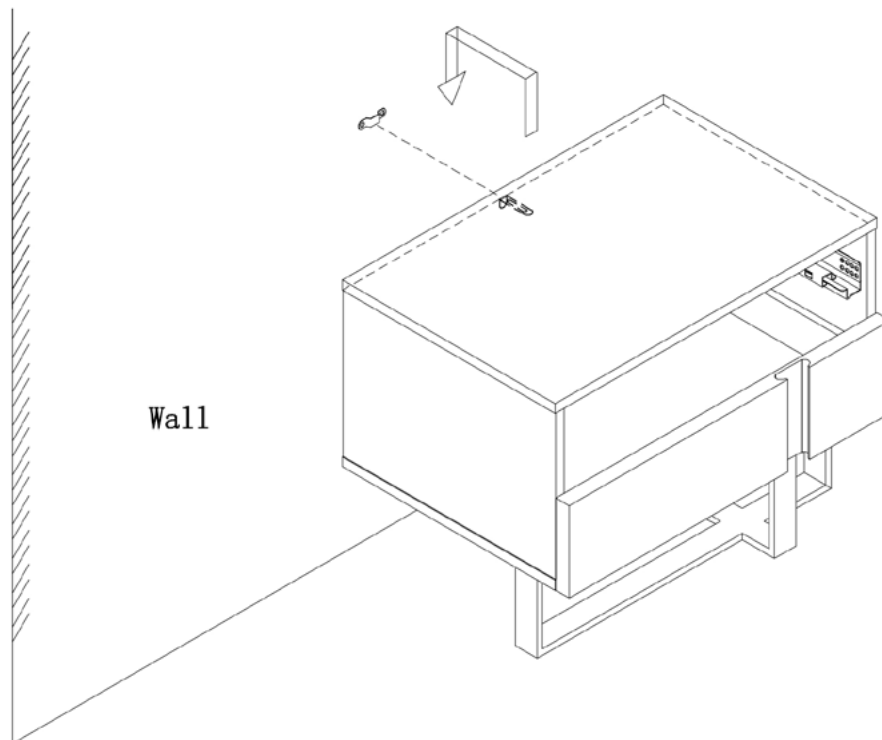
**FIG.**  
**6**



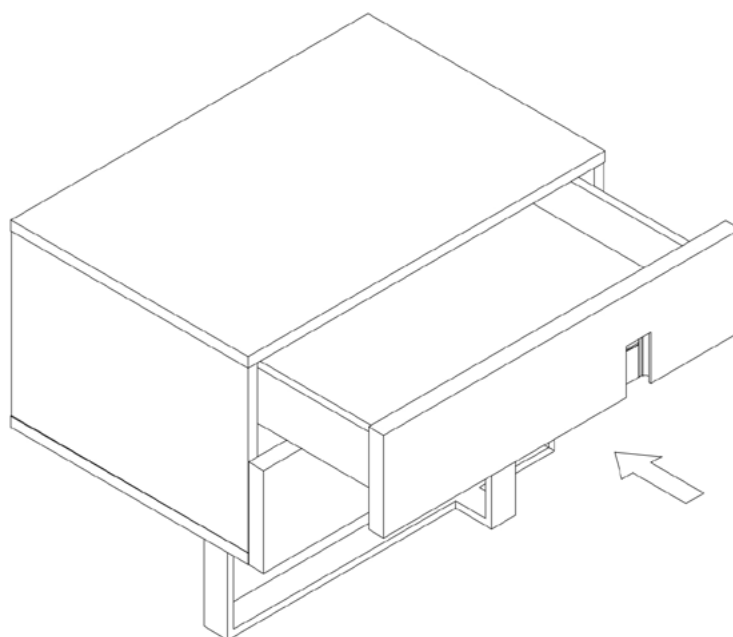
**FIG.**  
**7**



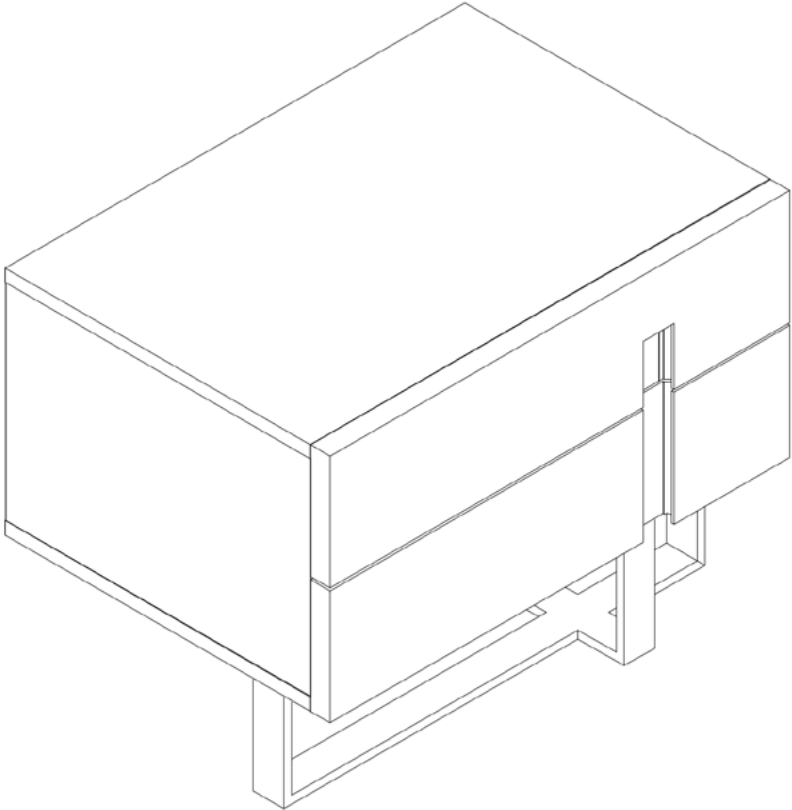
**FIG.**  
**8**



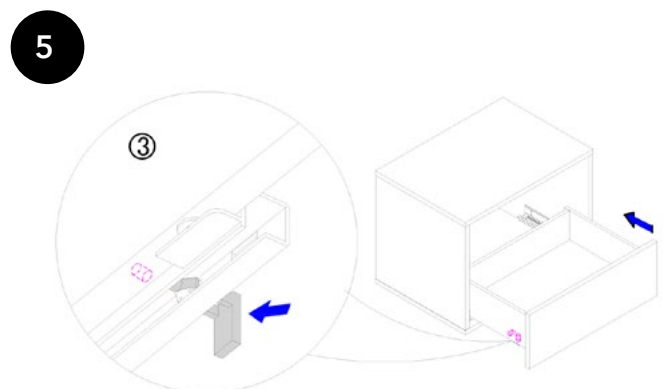
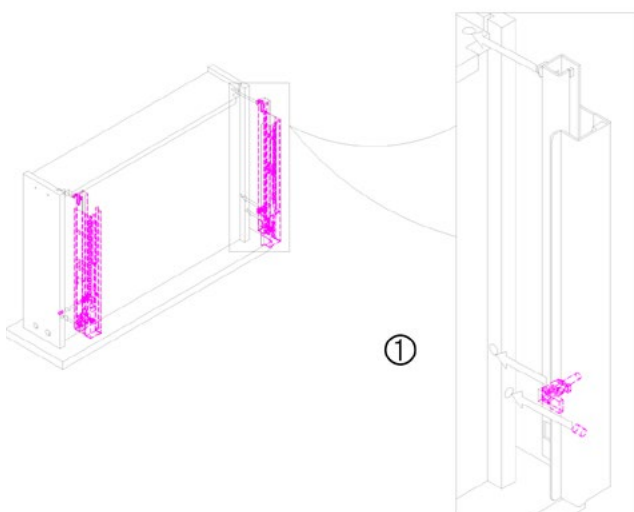
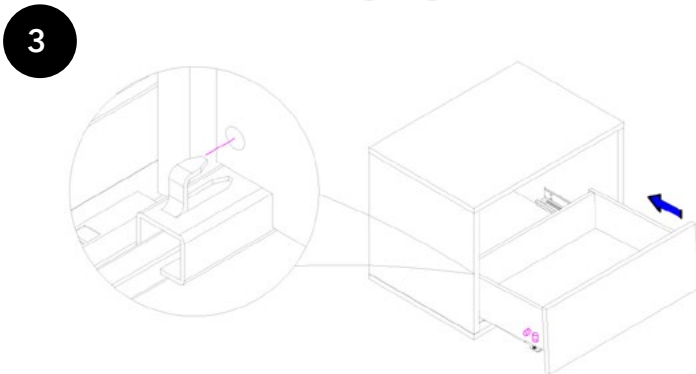
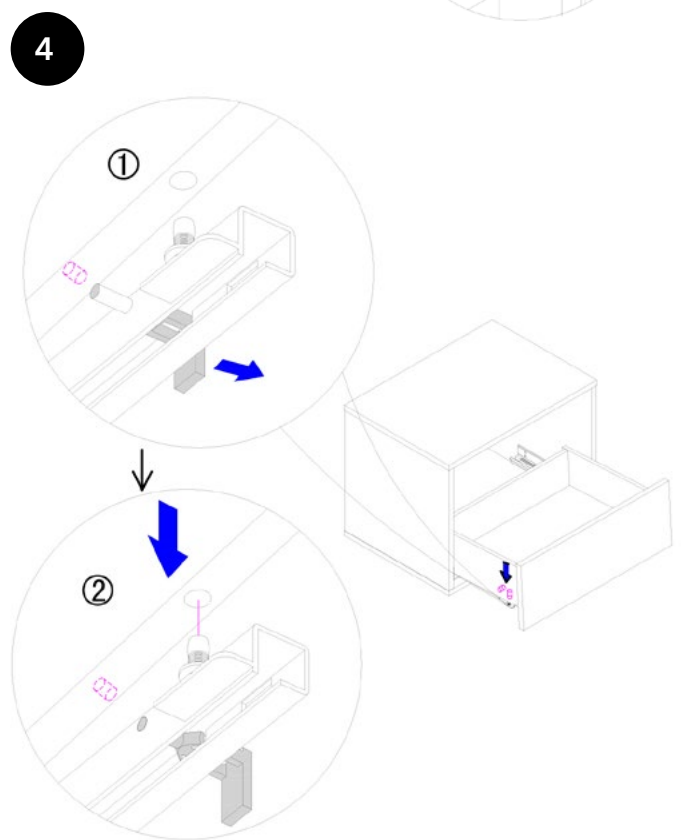
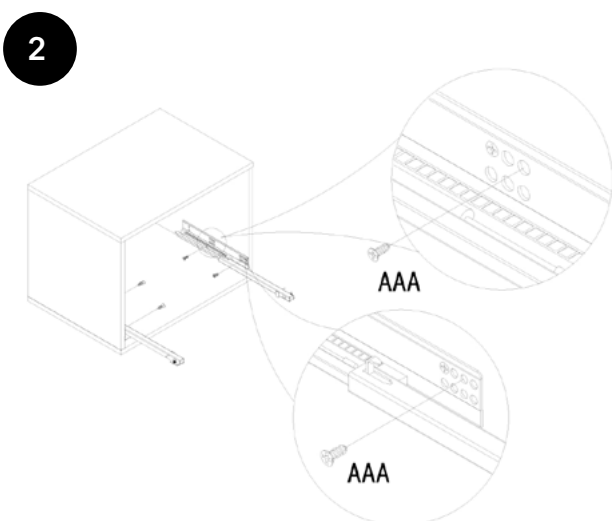
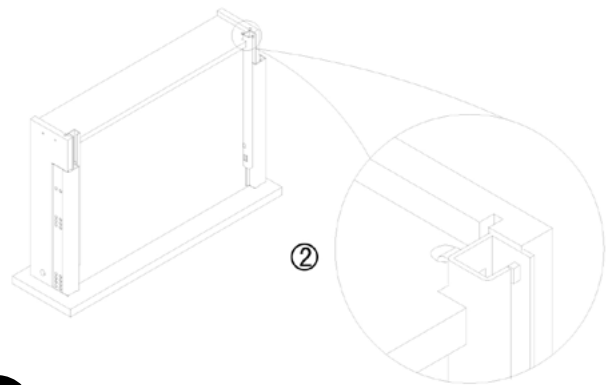
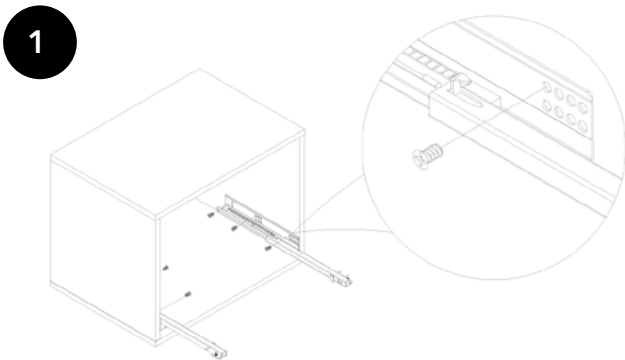
**FIG.**  
**9**



**FIG.**  
**10**



# DRAWER ASSEMBLY CP1302-H-1139



### DRAWER RENIVAL

### ADJUSTABLE METHOD

