

ASSEMBLY INSTRUCTION
3222-MF2103-TV-2121




	Design	Size	Qty		Design	Size	Qty
A		5mm	1	B		M8*15	14
C		∅17*8*1	14				

FIG.
1

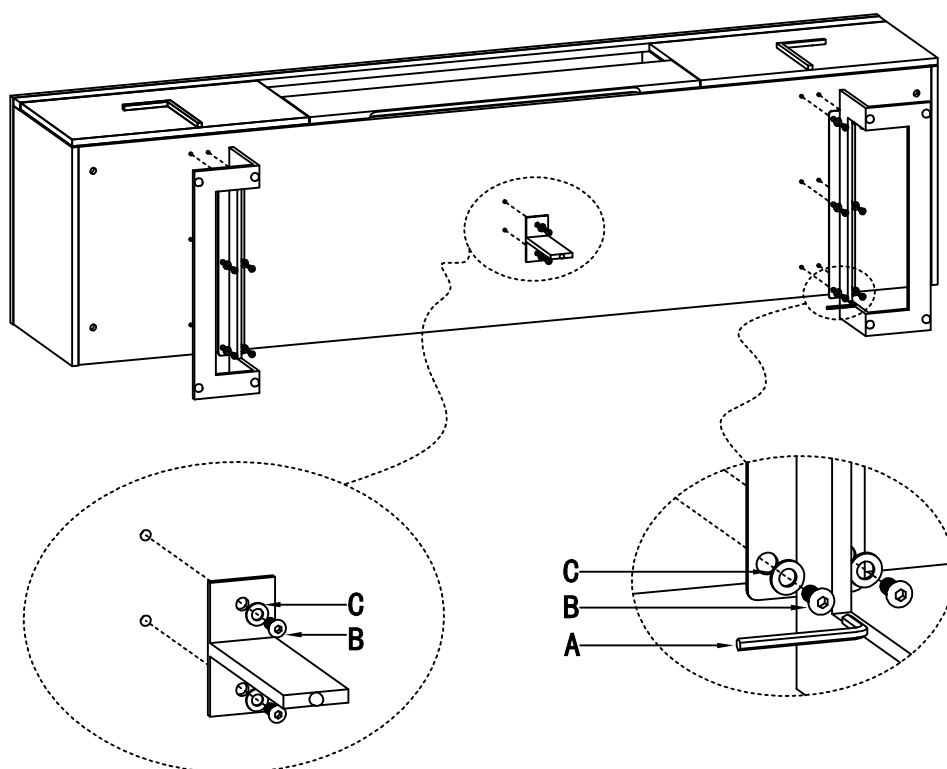


FIG.
2

