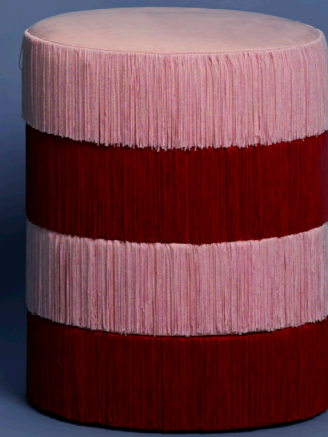


H



HOUTIQUE®



01

NEW COLLECTION

HOUTIQUE

Exotic rhythms, champagne

We were dancing when we found a sign that said "Back to the future" and so we followed it. The sign took us here, to a sexy, lux and fun dimension. We keep on dancing, we won't stop.

**and
velvet
words.**

WINK

DESIGNED BY
MASQUESPACIO

Metal structure bathed in 24 Carats gold
Transparent cable of 1,5 m. adjustable
LED Bulb E27 included.
Dimensions:
30x60x15 Cm



1

A wink to luxury

03

WINK

DESIGNED BY
MASQUESPACIO

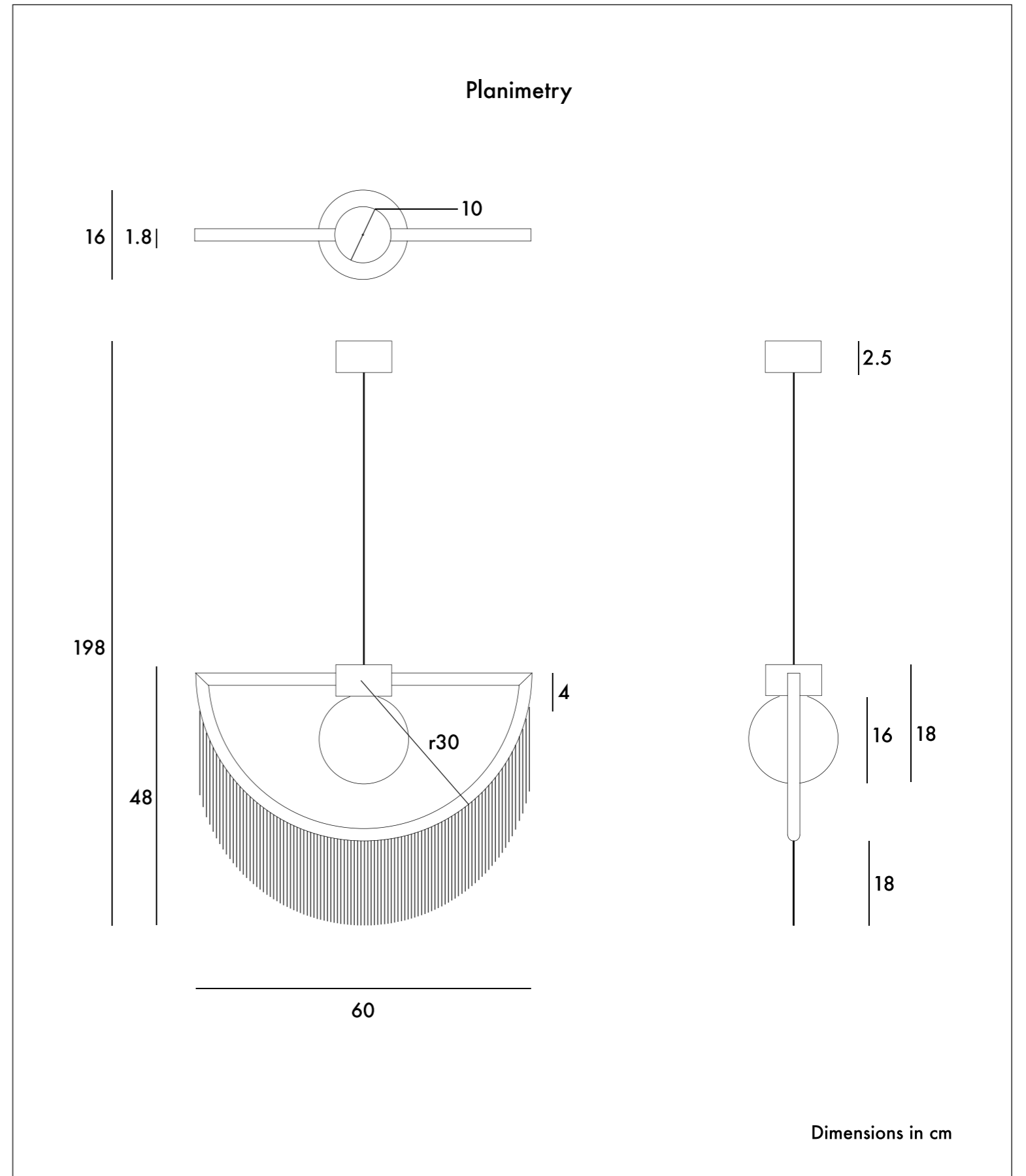
Ceiling lamp post-modernist style with metal structure and glass tulip.
Transparent security cable 1.5m
Detachable fringes.
Bulb E27 included - Led light technology.
Designed by Masquespacio.
Made in Spain.

For indoor use only.
Flame retardant treated fringes.
CE In compliance with EN60598-1 and EN60598-2-4
and with current
low Voltage Directives 2006/95/EC.
24 Carats gold and glass tulip.

Use specs:
Do not use disolvents for cleaning, only use soft and dry cloth.
Before any operation on the fixture, please disconnect the power supplied.
The device may not be disposed of with household rubbish.
In case of emergency, please contact HOUTIQUE.

RR Price (NO VAT):

495,00€



2 WINK

DESIGNED BY
MASQUESPACIO



Metal structure bathed in 24 Ct gold.
Glass tulip.
Led Bulbs E27 included.
Dimensions: 30x50x15 cm
Small size: 31x18,5x15 cm

WINK

DESIGNED BY
MASQUESPACIO

WINK WALL LAMP, SMALL SIZE

Post-modernist style with metal structure
and glass tulip.

Detachable fringes for easy washing (by
hand).

Bulb E14 included - Led light technology.

Designed by Masquespacio.

Made in Spain.

For indoor use only.

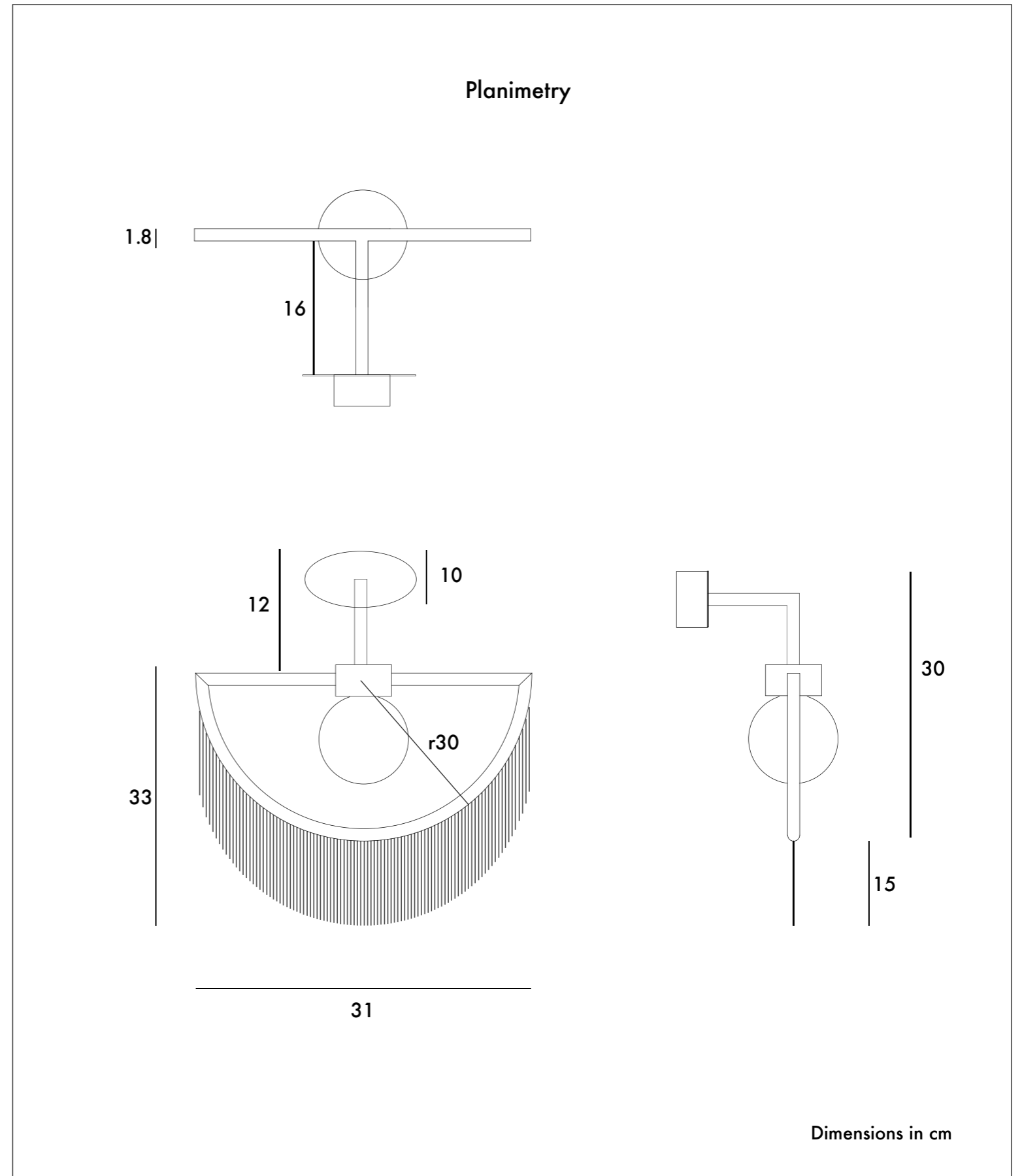
Flame retardant treated fringes.
CE In compliance with EN60598-1 and
EN60598-2-4 and with current
low Voltage Directives 2006/95/EC.
24 Carats gold and glass tulip.

Use specs:

Do not use disolvents for cleaning, only
use soft and dry cloth.
Before any operation on the fixture, please
disconnect the power supplied.
The device may not be disposed of with
household rubbish.
In case of emergency, please contact
HOUTIQUE.

RR Price (NO VAT):

398,00€



WINK

DESIGNED BY
MASQUESPACIO

WINK WALL LAMP, BIG SIZE

Post-modernist style with metal structure
and glass tulip.

Detachable fringes for easy washing (by
hand).

Bulb E14 included - Led light technology.

Designed by Masquespacio.

Made in Spain.

For indoor use only.

Flame retardant treated fringes.
CE In compliance with EN60598-1 and
EN60598-2-4 and with current
low Voltage Directives 2006/95/EC.
24 Carats gold and glass tulip.

Use specs:

Do not use disolvents for cleaning, only
use soft and dry cloth.

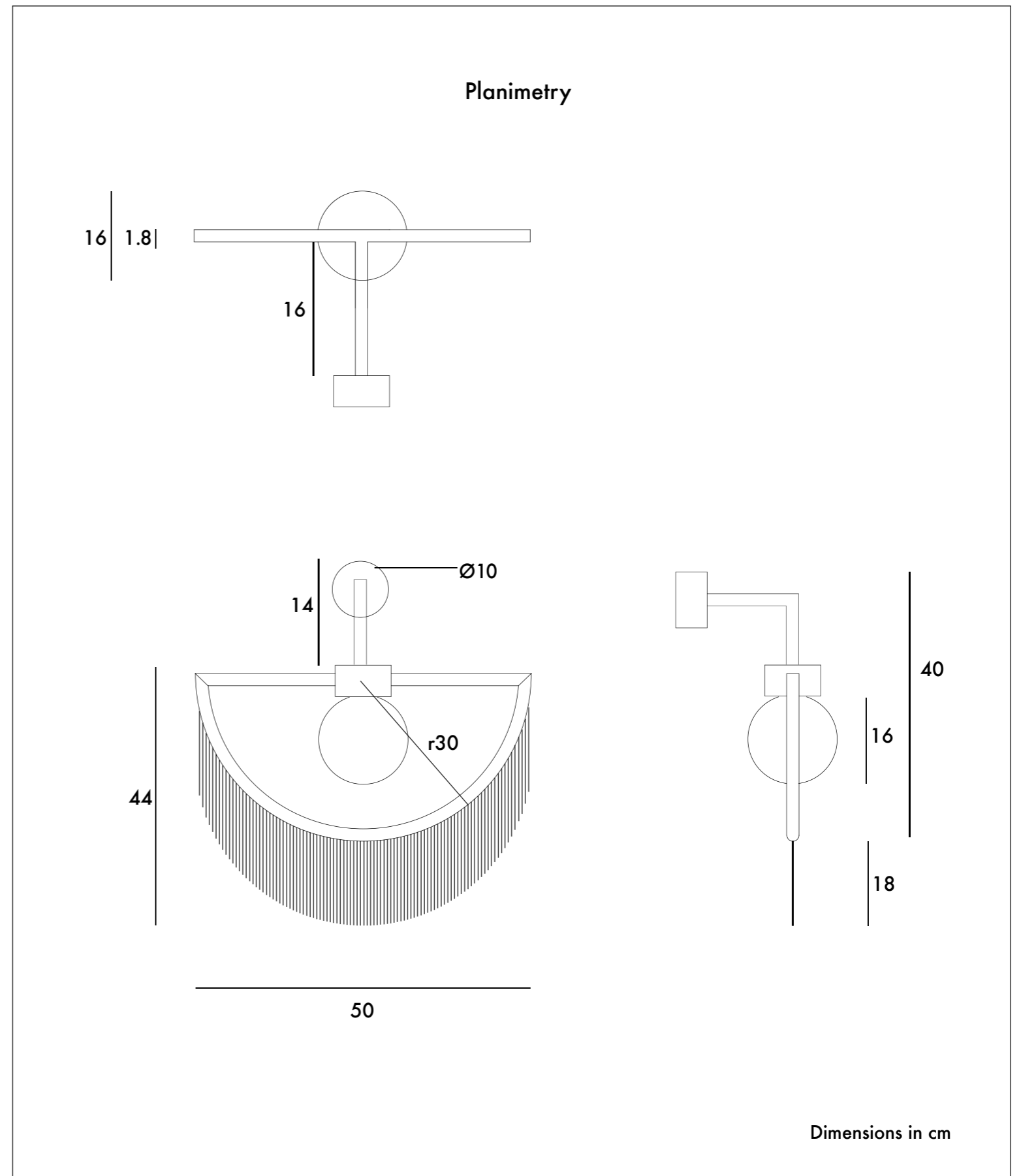
Before any operation on the fixture, please
disconnect the power supplied.

The device may not be disposed of with
household rubbish.

In case of emergency, please contact
HOUTIQUE.

RR Price (NO VAT):

495,00€



3

WINK

DESIGNED BY
MASQUESPACIO

Metal structure bathed in 24 Ct gold.
Glass tulip.
2 directability Winks horizontally.
LED bulbs E27 included.
Dimensions: 128x50x200H cm



WINK

DESIGNED BY
MASQUESPACIO

WINK FLOOR LAMP

Post-modernist style with metal structure
and glass tulip.

Detachable fringes for easy washing (by
hand).

Cable of 2 m. with foot switch
2 directability Winks horizontally.

Bulb E14 included - Led light technology.
Designed by Masquespacio.

Made in Spain.

For indoor use only.

Flame retardant treated fringes.

CE In compliance with EN60598-1 and

EN60598-2-4 and with current

low Voltage Directives 2006/95/EC.

24 Carats gold and glass tulip.

Use specs:

Do not use disolvents for cleaning, only
use soft and dry cloth.

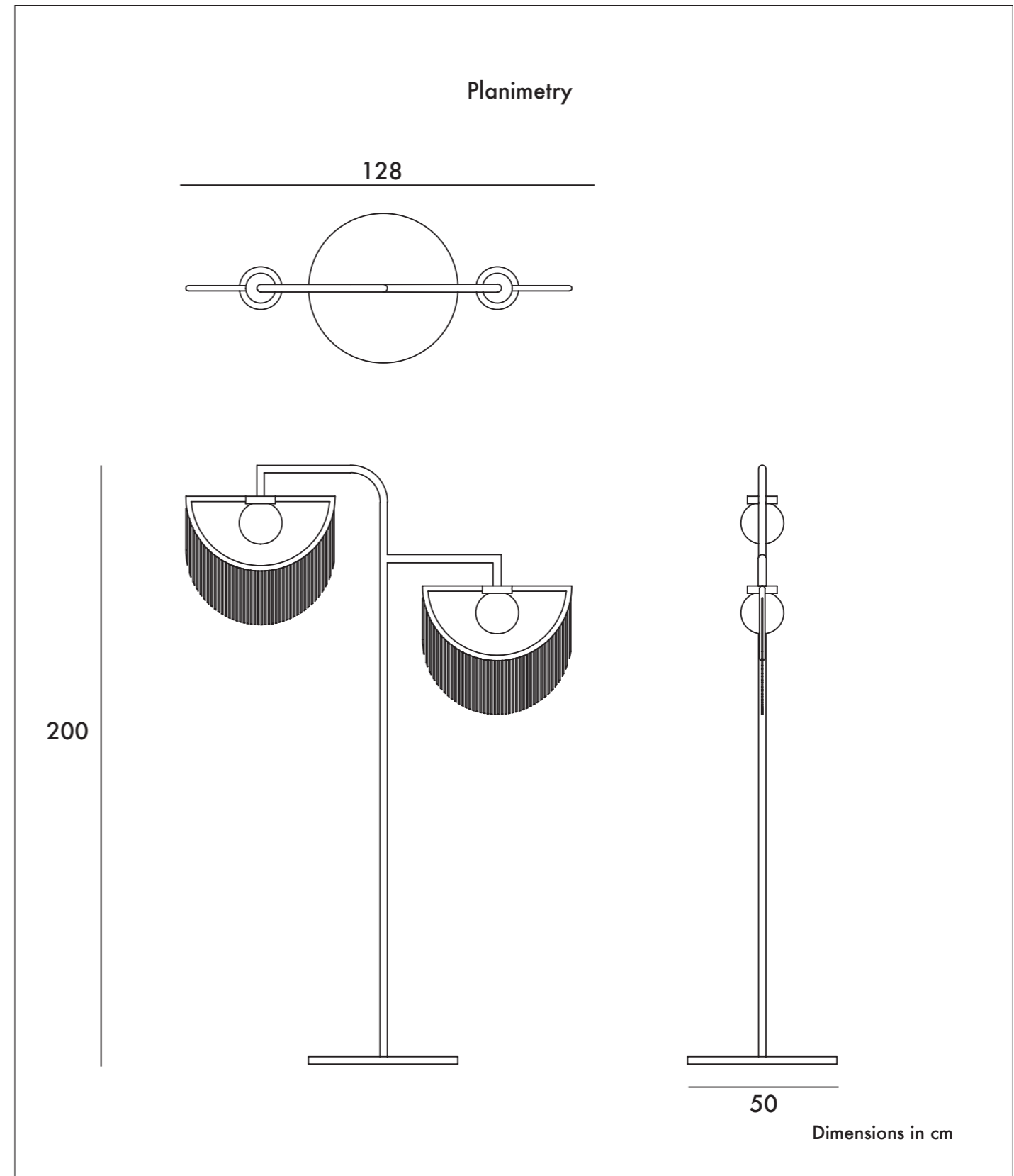
Before any operation on the fixture, please
disconnect the power supplied.

The device may not be disposed of with
household rubbish.

In case of emergency, please contact
HOUTIQUE.

RR Price (NO VAT):

1598,00€



ARCO
HOUTIQUE



Chairs, tables and stools with fun shapes inspired in the 80's.

Metallic structure bathed in 24 Ct gold // epoxy paint
Upholstery Velvet
Dimensions: 47x45x100H cm. Seat Height: 46 cm

ARCO CHAIR

DESIGNED BY
MASQUESPACIO

Arco Chair

Structure: 25mm robust curved iron tubebathed in 24 Carats gold // epoxy paint (marking to model).

Non-flamable paint.

Approvals: Qualicoat License P-0504 / GSB License 179A.
Contact welding on each rod and subsequent sanding to avoid any noise between rods and protruding metals.

Seat and backrest with MDF Board padded with HR foam of 25 Kg.

Upholstery Velvet 100% polyester with backing. 345 gr/m.
50000 Mar-tindale cycles.

Designed by Houtique.

Made in Spain.

Warranty:

All of our products are original designs.

We only use high quality raw materials.

All components follow international safety standards.

2 years warranty in production failures.

Use specs:

Do not use disolvents for cleaning, only use soft and dry cloth.

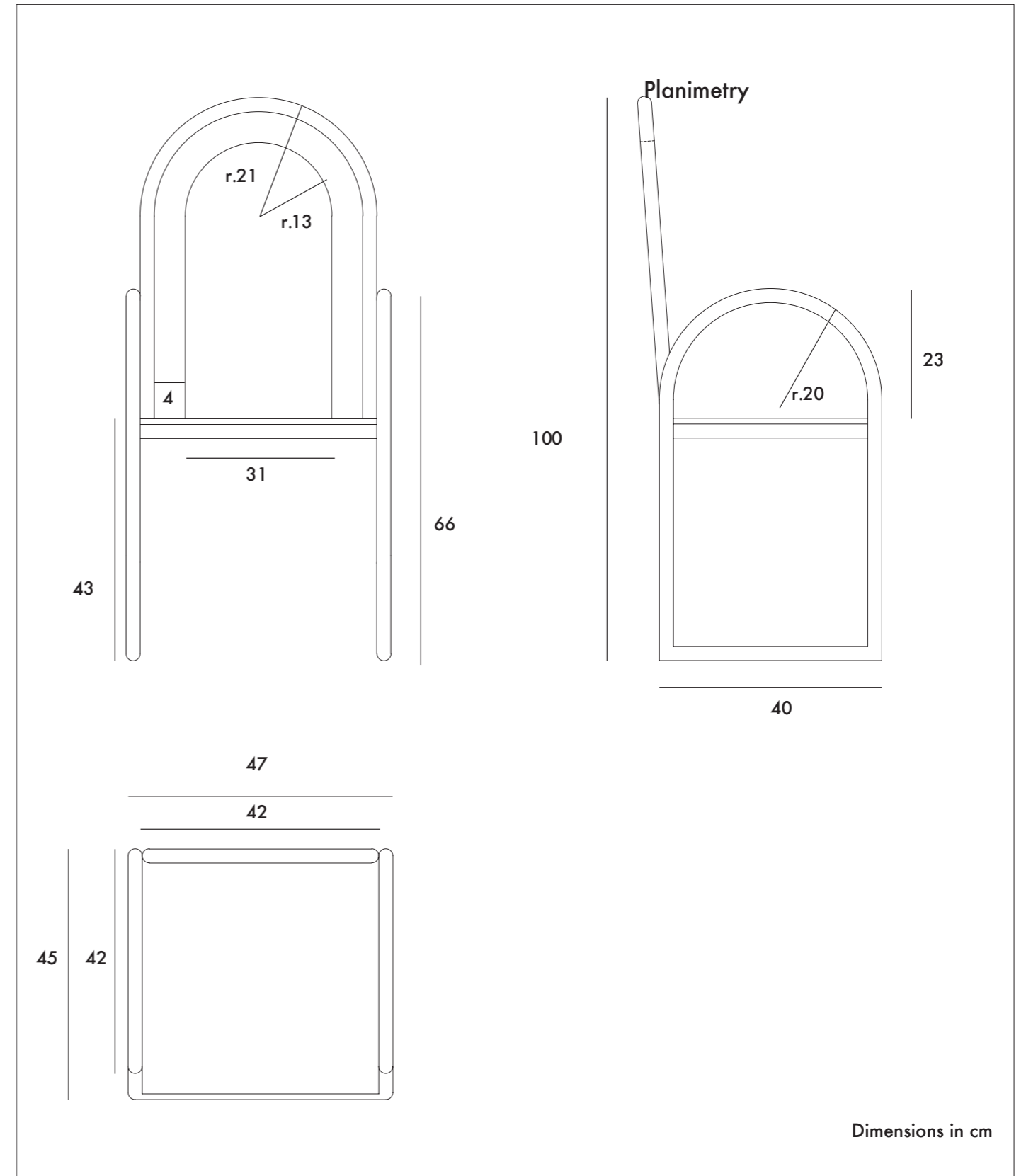
Before any operation on the fixture, please disconnect the power supplied.

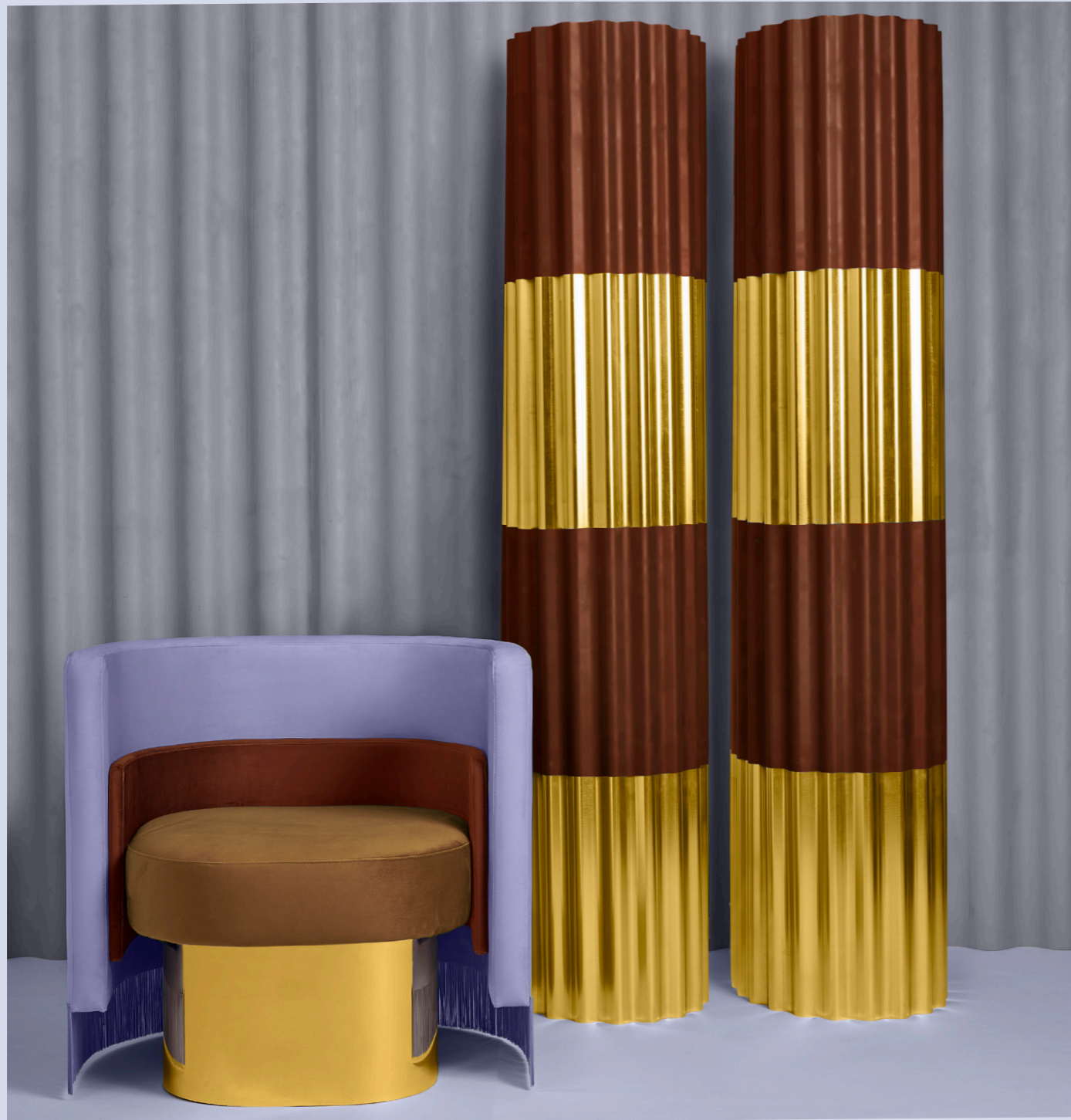
The device may not be disposed of with household rubbish.

In case of emergency, please contact HOUTIQUE.

RR Price (NO VAT):

659,00€





Metal structure bathed in 24 Ct gold // bright chrome
Solid wood and fiber frame.
Upholstery Velvet
Bottom part with fringe of 17 cm.
Dimensions: 89x70x78H
Seat height: 45 cm

MAMBO

DESIGNED BY
MASQUESPACIO



12

Back to the future
Sexy, Lux & Fun

MAMBO

DESIGNED BY
MASQUESPACIO

Mambo Armchair

Metal Base bathed in 24 carats gold or bright chrome
(marking to model).

Solid Pinewood and fiber frame.

Laminated board seat.

Beech Wood board backrest with high frequency curved.

Wadding coating of 150 g/m

External and internal structure covered with hard foam of 20
kg

Velvet: 100% polyester with backing. 345 gr/m. 50000
Martindale cycles.

Bottom part with fringe of 17 cm.

Designed by Masquespacio.
Made in Spain.

Warranty:

All of our products are original designs.

We only use high quality raw materials.

All components follow international safety standards.

2 years warranty in production failures.

Use specs:

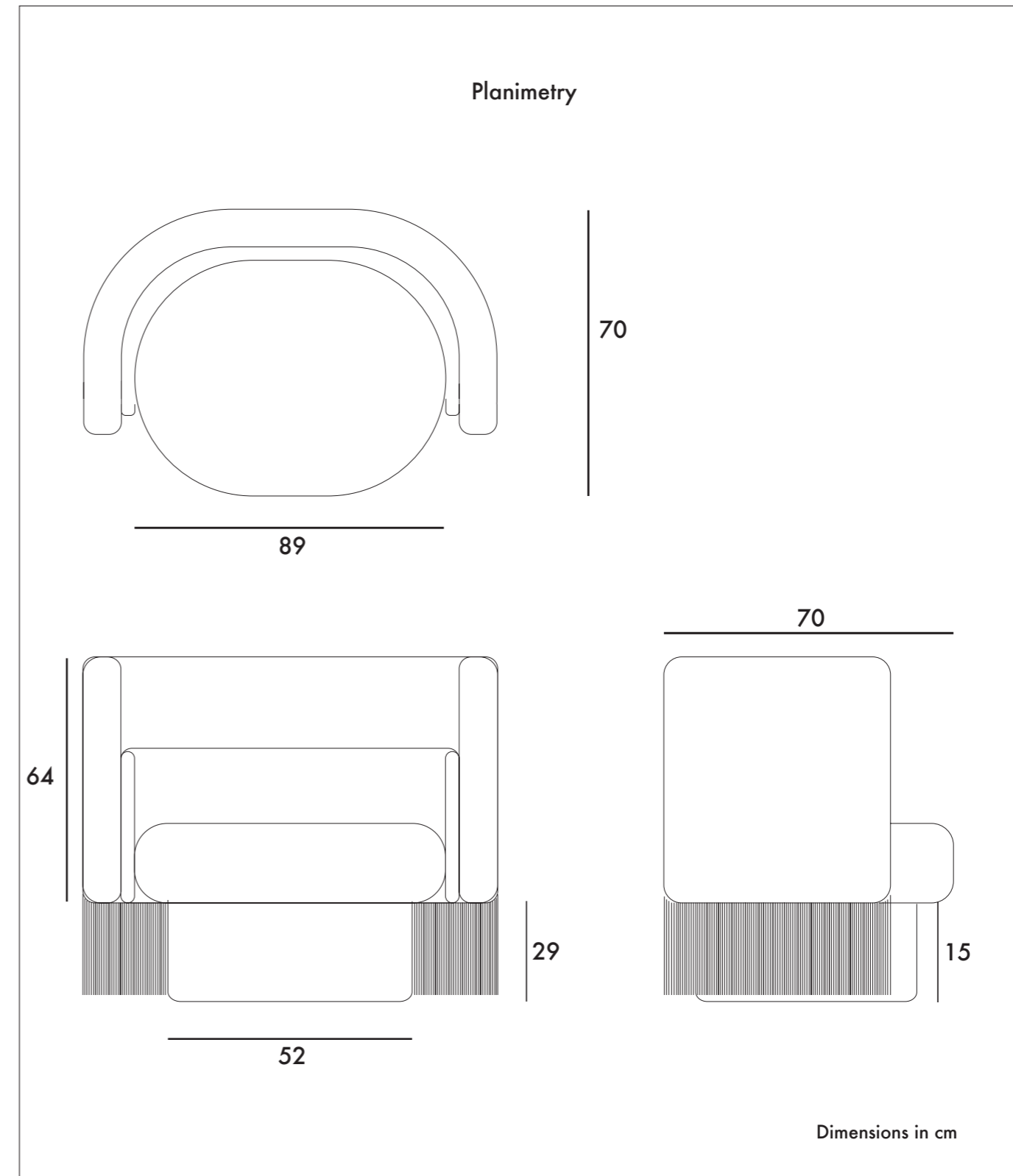
Do not use disolvents for cleaning, only use soft and dry
cloth.

Before any operation on the fixture, please disconnect the
power supplied.

The device may not be disposed of with household rubbish.

In case of emergency, please contact HOUTIQUE.

RR Price (NO VAT): 1190,00€





**A retro design for
the nostalgia**

Ceramic base.
Golden aluminium stick
Glass tulip.
Led E27 bulb.
Dimensions:
Pink Base: 140x30x30 Cm
Marble Base: 80x25x20 Cm

AVALON SQUARED

DESIGNED BY
HOUTIQUE

Avalon Squared

Structure: Ceramic structure, colored glaze finish.

Tube: Metallic tube, dorée finished.

Screen: Opaque cristal sferic screen with a dorée finished
metallic
lamp holder.

Approvals: CE 1272/2008, CE VBC 32 Glaxe SCFE25 PN,
CEVTR102 Glaze Wetm Pott pp25kg.

Designed by Houtique.

Made in Spain.

Warranty:

All of our products are original designs.

We only use high quality raw materials.

All components follow international safety standards.

2 years warranty in production failures.

Use specs:

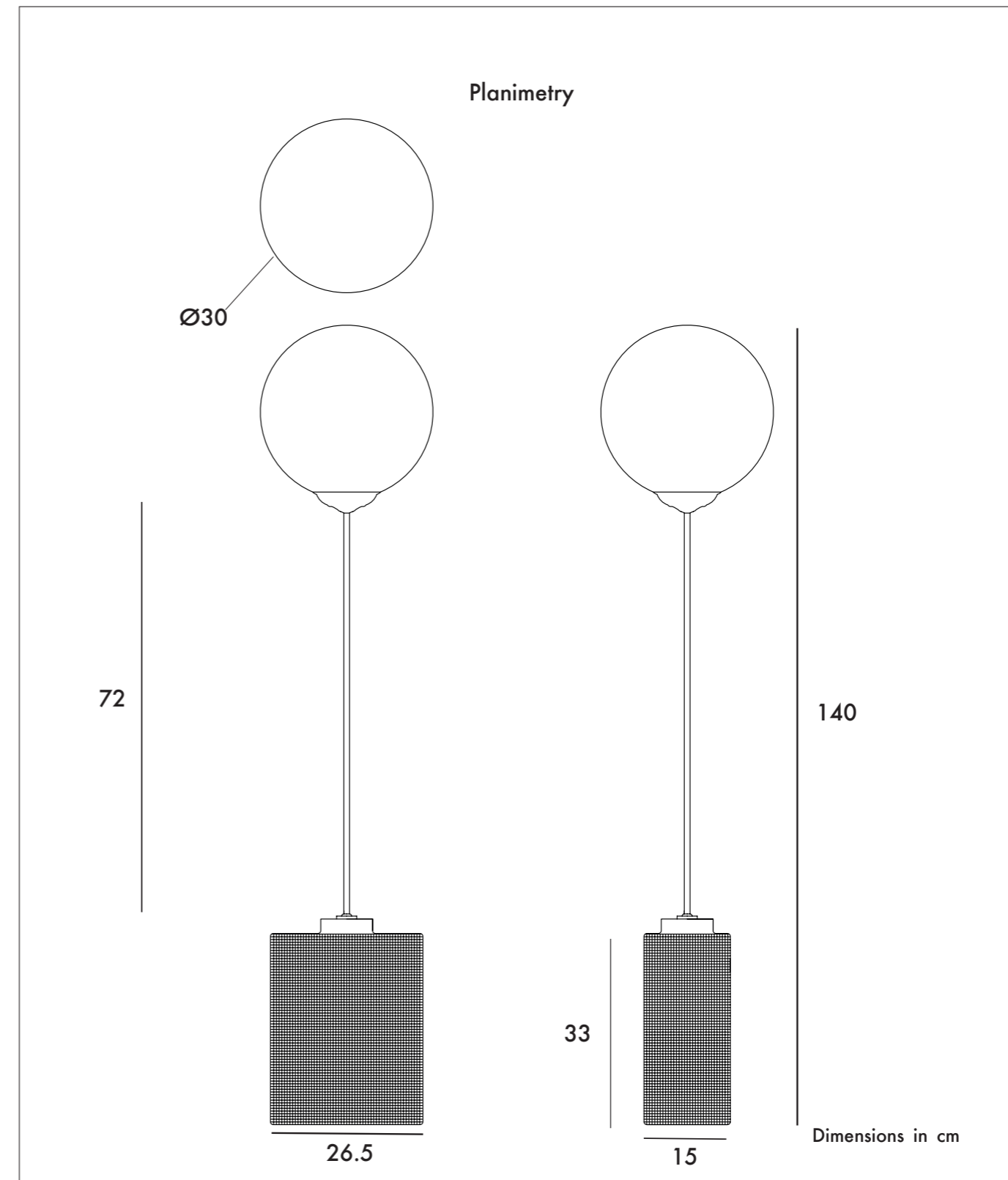
Do not use disolvents for cleanning, only use soft and dry
cloth.

Before any operation on the fixture, please disconnect the
power supplied.

The device may not be disposed of with household rubbish.

In case of emergency, please contact HOUTIQUE.

RR Price (NO VAT): **358,00€**



AVALON ROUND

DESIGNED BY
HOUTIQUE

Avalon Round

Structure: Ceramic structure, marble effect painted by glazing technique, top green colored glaze, gold stripe cold painted by hand.

Tube: Metallic tube, dorée finished.

Screen: Opaque cristal sferic screen with a dorée metallic lamp holder.

Approvals: CE 1272/2008, CE VBC 32 Glaxe SCFE25 PN, CEVTR102 Glaze Wetm Pott pp25kg.

Designed by Houtique.

Made in Spain.

Warranty:

All of our products are original designs.

We only use high quality raw materials.

All components follow international safety standards.

2 years warranty in production failures.

Use spect:

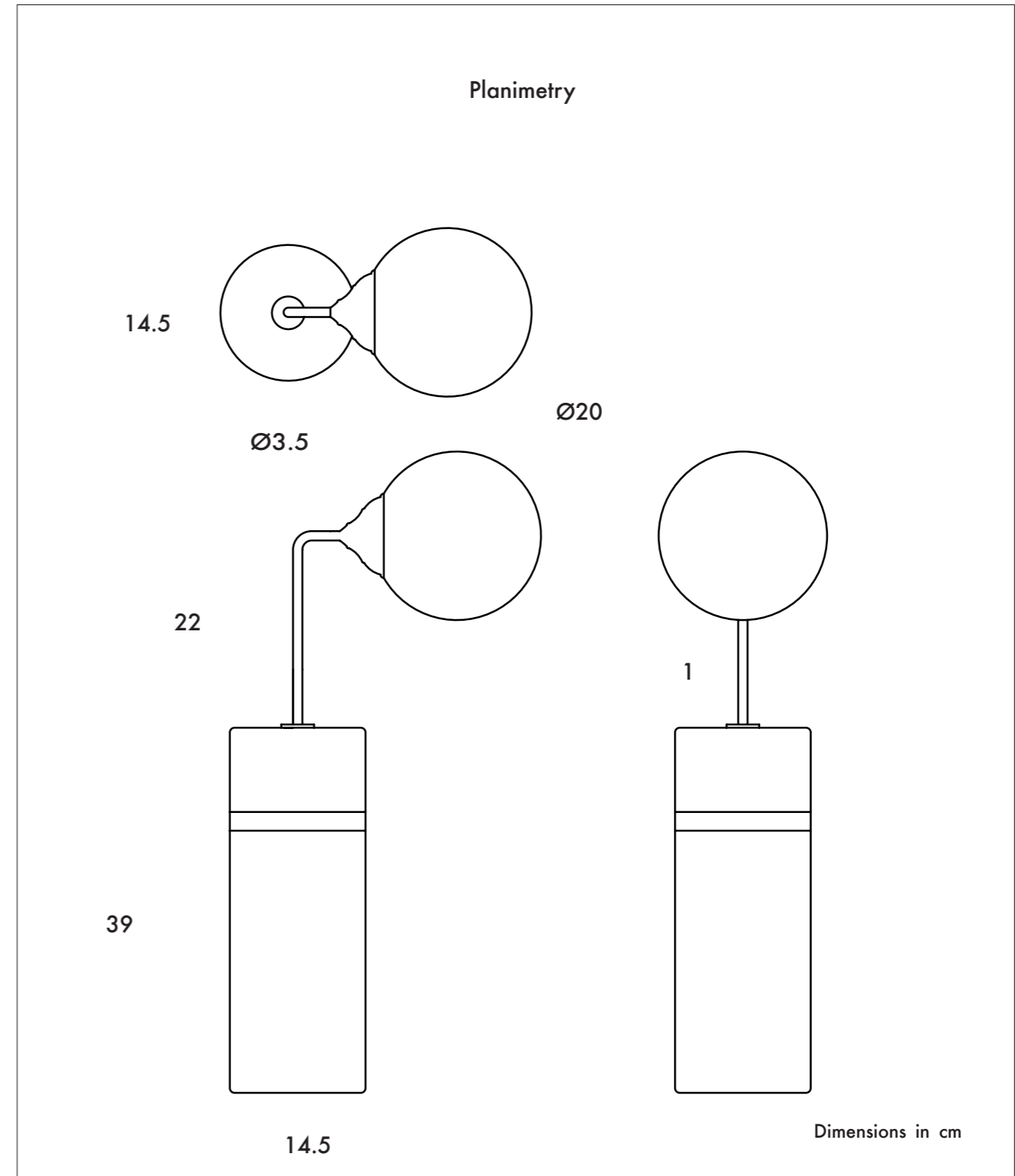
Do not use disolvents for cleanning, only use soft and dry cloth.

Before any operation on the fixture, please disconnect the power supplied.

The device may not be disposed of with household rubbish.

In case of emergency, please contact HOUTIQUE.

RR Price (NO VAT): **358,00€**





085

FEDERICO GINER
BY HOUTIQUE

Steel tube profile
ergonomic curvature Backrest
Non-Slip & Anti-tipper
Foldable by galvanized telescopic system
Base polyester epoxy paint + polyester protection topcoat
indoor & outdoor use.
Dimensions:
45,2 x 51 x 77 H cm. Seat Height:: 43,3 Cm

085 CHAIR

DESIGNED BY
FEDERICO GINER

085 Chair

Robust and light.

Manufactured with steel tube profile 22 mm in diameter and 1 mm thick.

Backrest with ergonomic curvature that gives it greater comfort.

High strength blocks manufactured exclusively to the geometry of the chassis of the 085 that prevent side rolls and landslides. Foldable by galvanized telescopic system that gives greater rigidity to the chair.

Contact welding on each rod and subsequent sanding to avoid any noise between rods and protruding metals.

Base polyester epoxy paint + polyester protection topcoat
Designed and produced by Federico Giner.

Made in Spain.

For indoor and outdoor use.

CE In compliance with EN60598-1 and EN60598-2-4 and with currentlow Voltage Dierctives 2006/95/EC.

Warranty:

All of our products are original designs.

We only use high quality raw materials.

All components follow international safety standards.

2 years warranty in production failures.

Use spect:

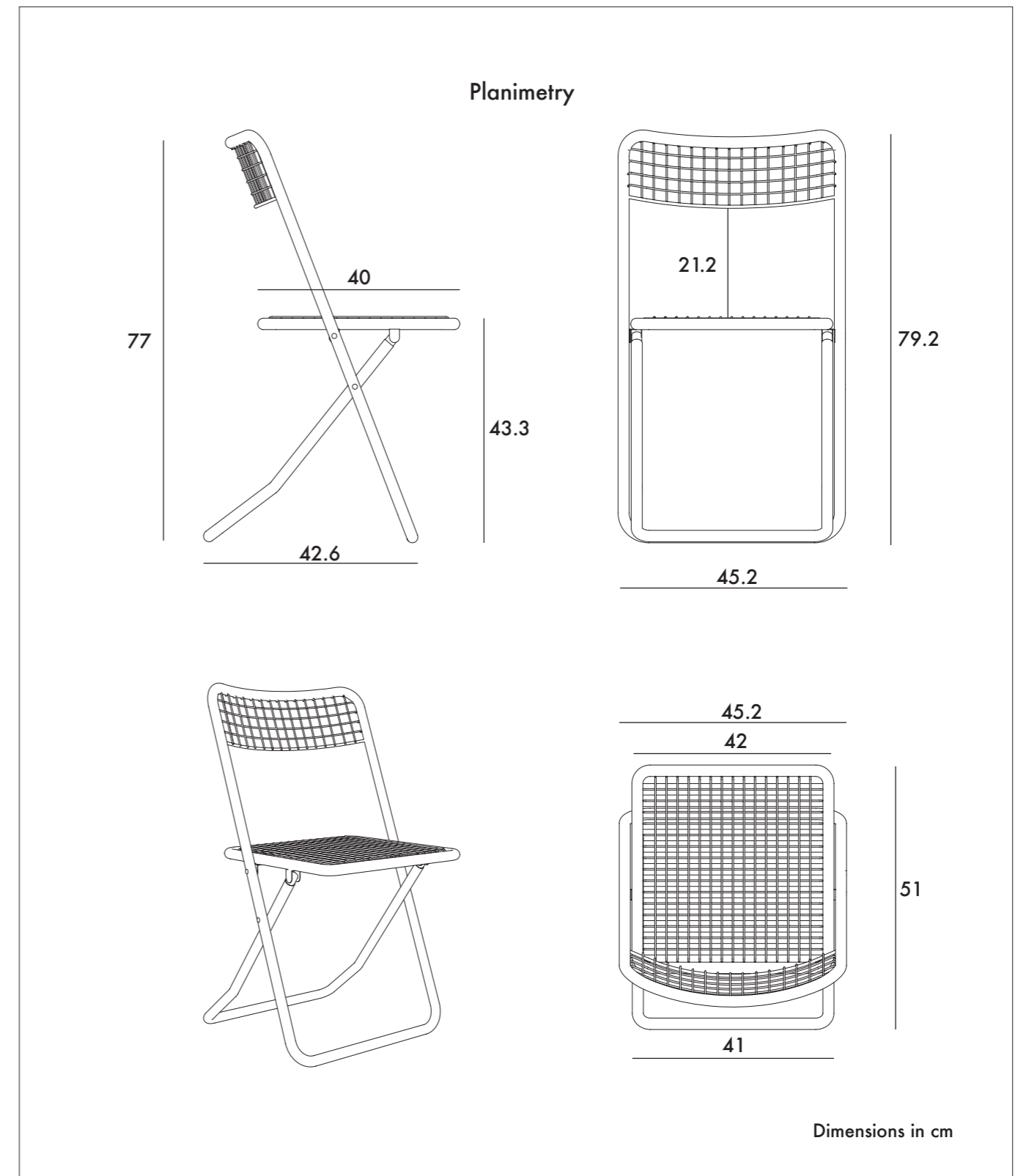
Do not use disolvents for cleanning, only use soft and dry cloth.

Before any operation on the fixture, please disconnect the power supplied.

The device may not be disposed of with household rubbish.

In case of emergency, please contact HOUTIQUE.

RR Price (NO VAT): **159,00€**





PILL

HOUTIQUE



19

Velvet upholstery and 30cm fringes
Dimensions:
Height: 45 Cm
Diameter: 35 Cm

POUF PILL S

DESIGNED BY
HOUTIQUE

Pill Pouf S

Art-deco style pouf with wood structure and velvet fabric.
2 fiber-board discs of 16mm, joined by wooden tufts.
Upholstery Velvet 100% polyester with backing. 345 gr/m.
50000 Martindale cycles.
TEAD foam with fibre-covered.
Designed by Houtique.
Made in Spain.

Warranty:

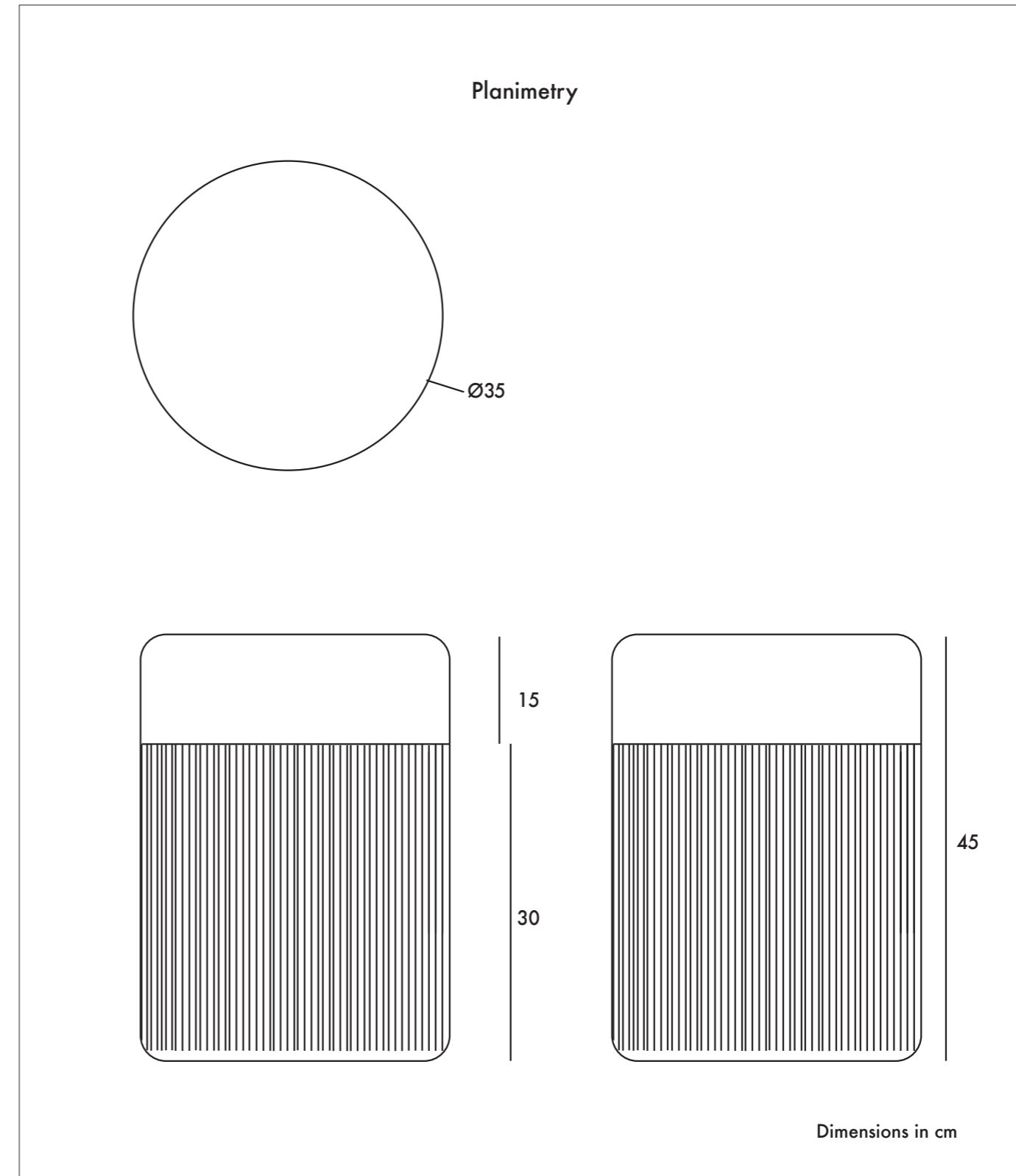
All of our products are original designs.
We only use high quality raw materials.
All components follow international safety standards.
2 years warranty in production failures.

Use specs:

Do not use disolvents for cleaning, only use soft and dry cloth.
Before any operation on the fixture, please disconnect the power supplied.
The device may not be disposed of with household rubbish.
In case of emergency, please contact HOUTIQUE.

RR Price (NO VAT):

198,00€



POUF PILL L

DESIGNED BY
HOUTIQUE

Pill Pouf L

Art-deco style pouf with wood structure and velvet fabric.
2 fiber-board discs of 16mm, joined by wooden tufts.
Upholstery Velvet 100% polyester with backing. 345 gr/m.
50000 Martindale cycles.
TEAD foam with fibre-covered.
Designed by Houtique.
Made in Spain.

Warranty:

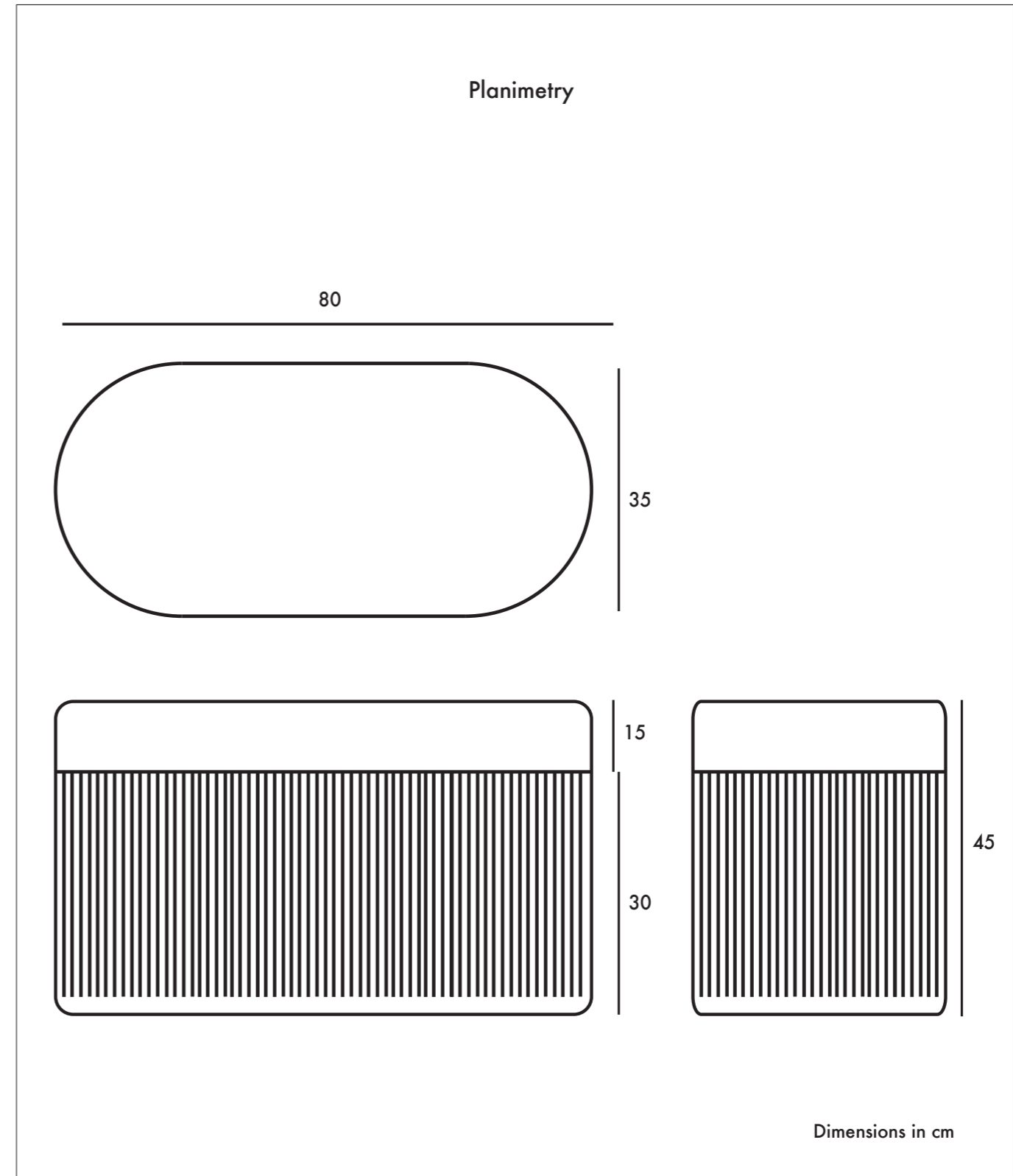
All of our products are original designs.
We only use high quality raw materials.
All components follow international safety standards.
2 years warranty in production failures.

Use specs:

Do not use disolvents for cleaning, only use soft and dry cloth.
Before any operation on the fixture, please disconnect the power supplied.
The device may not be disposed of with household rubbish.
In case of emergency, please contact HOUTIQUE.

RR Price (NO VAT):

298,00€



CHACHACHA

HOUTIQUE



22

Upholstery Velvet 100% polyester with backing. 345 gr/m².
45000 Martindale cycles.
TEAD foam with fibre-covered
Dimensions:
Height: 45 Cm
Diameter: 35 Cm

POUF CHACHACHA

DESIGNED BY
HOUTIQUE

Pouf Chachacha

Art-deco style pouf with wood structure and velvet fabric.
4 modules connected by wooden sleepers, each one Formed
by

2 fiber-board discs of 16mm, joined by wooden tufts.
Upholstery Velvet 100% polyester with backing. 345 gr/m.
50000 Martindale cycles.
TEAD foam with fibre-covered.
Designed by Houtique.
Made in Spain.

Warranty:

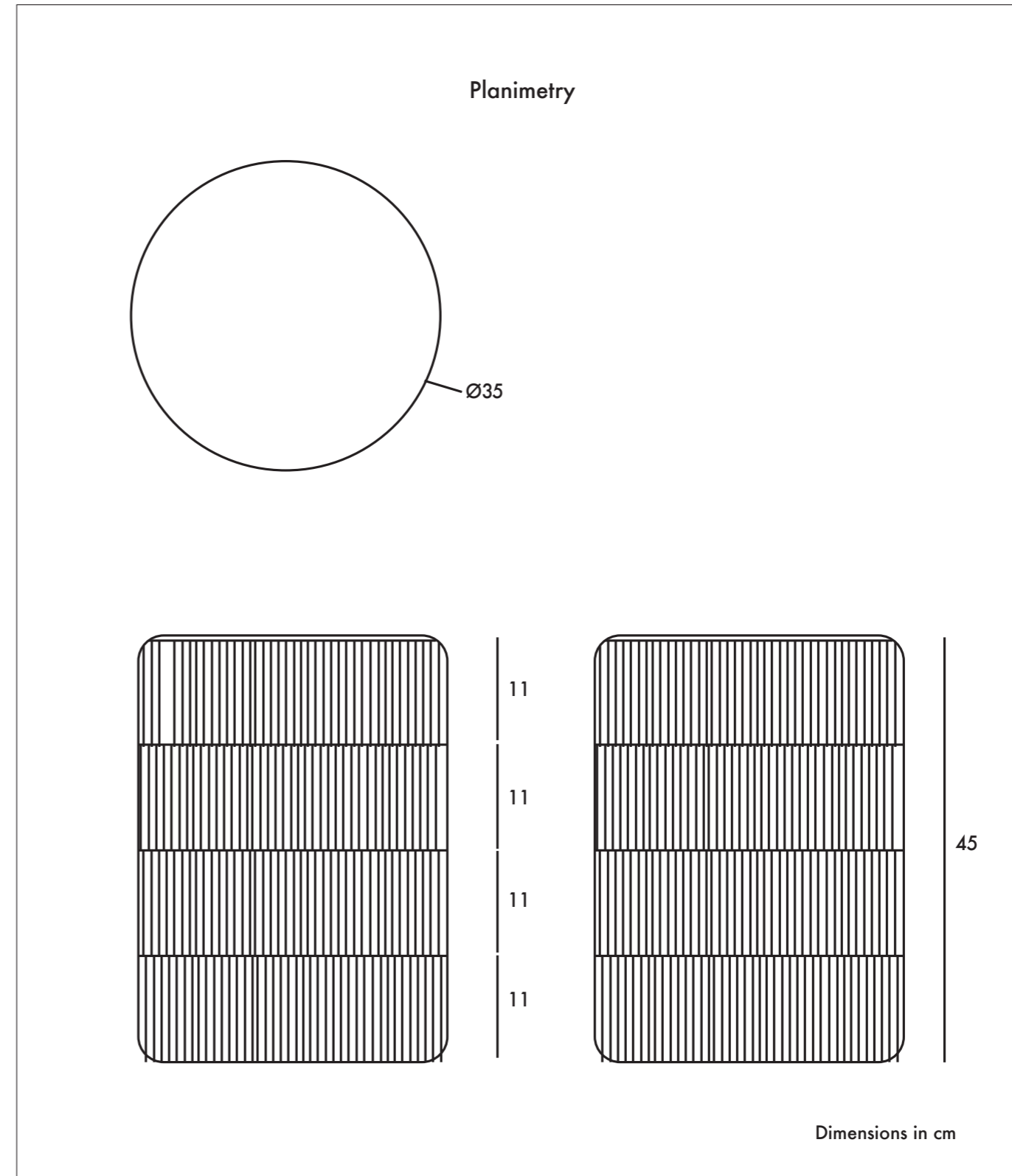
All of our products are original designs.
We only use high quality raw materials.
All components follow international safety standards.
2 years warranty in production failures.

Use specs:

Do not use disolvents for cleaning, only use soft and dry
cloth.
Before any operation on the fixture, please disconnect the
power supplied.
The device may not be disposed of with household rubbish.
In case of emergency, please contact HOUTIQUE.

RR Price (NO VAT):

315,00€



DÉJÀ VU STOOL

DESIGNED BY
MASQUESPACIO



Upholstery Velvet 100% polyester with backing. 345 gr / m ^ 2.
45000 Martindale cycles
Seat made of particleboard with fire retardant 35 kg TEAD rubber.
Circular Base and Metallic footrest covered in Chrome
24 K gold-plated metal center tube.
Dimensions: 350x350x750 cm

DÉJÀ VU STOOL

DESIGNED BY
MASQUESPACIO

Déjà Vu Stool

Seat made of particleboard with fire retardant 35 kg TEAD rubber.

Velvet: 100% polyester with backing. 345 gr / m .
50000 Martindale cycles.

Circular Base and Metallic footrest covered in Chrome.
24 K gold-plated metal center tube.

Designed by Masquespacio.

Made in Spain.

Warranty:

All of our products are original designs.

We only use high quality raw materials.

All components follow international safety standards.

2 years warranty in production failures.

Use specs:

Do not use disolvents for cleanning, only use soft and dry cloth.

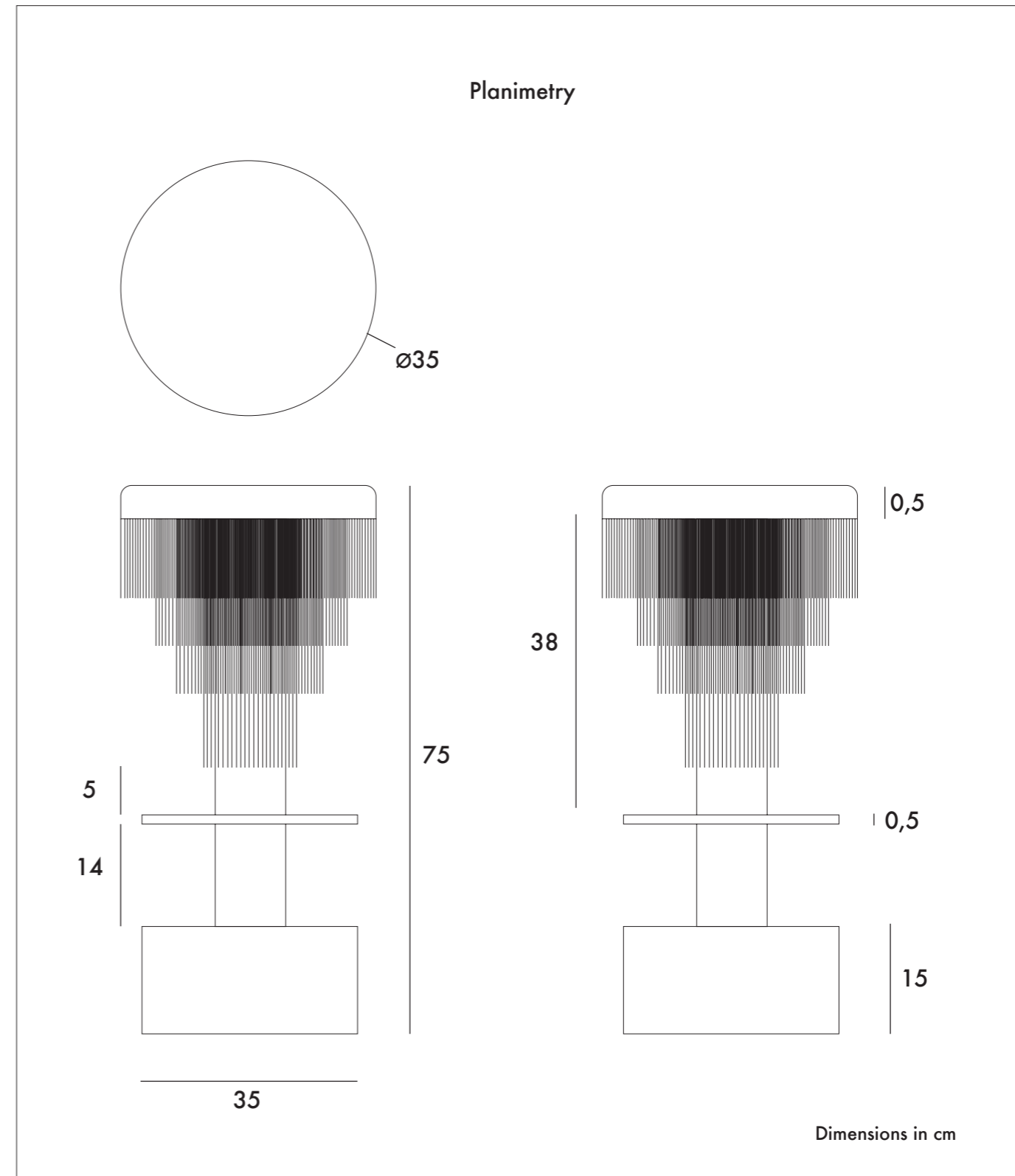
Before any operation on the fixture, please disconnect the power supplied.

The device may not be disposed of with household rubbish.

In case of emergency, please contact HOUTIQUE.

RR Price (NO VAT):

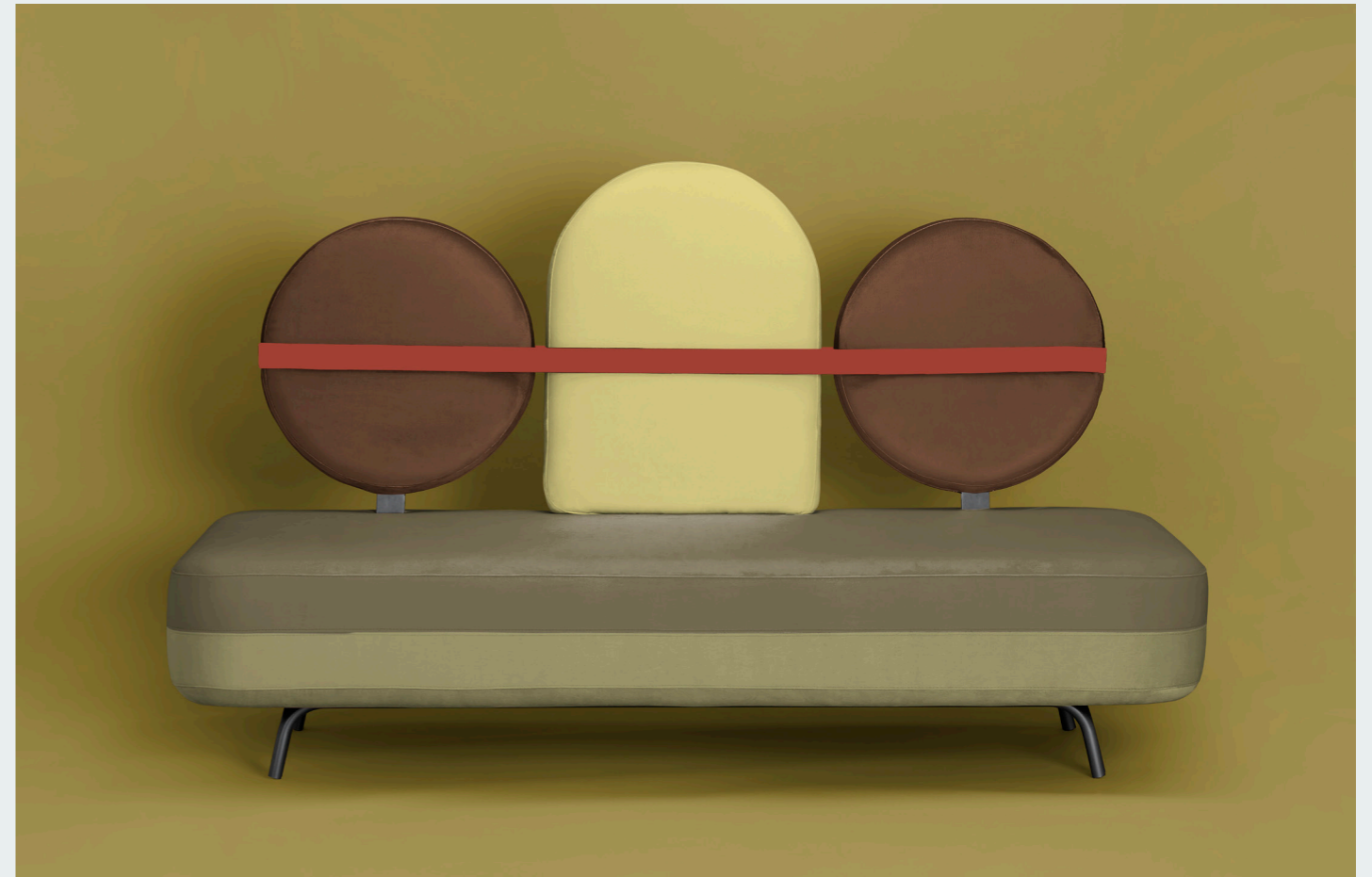
899,00€



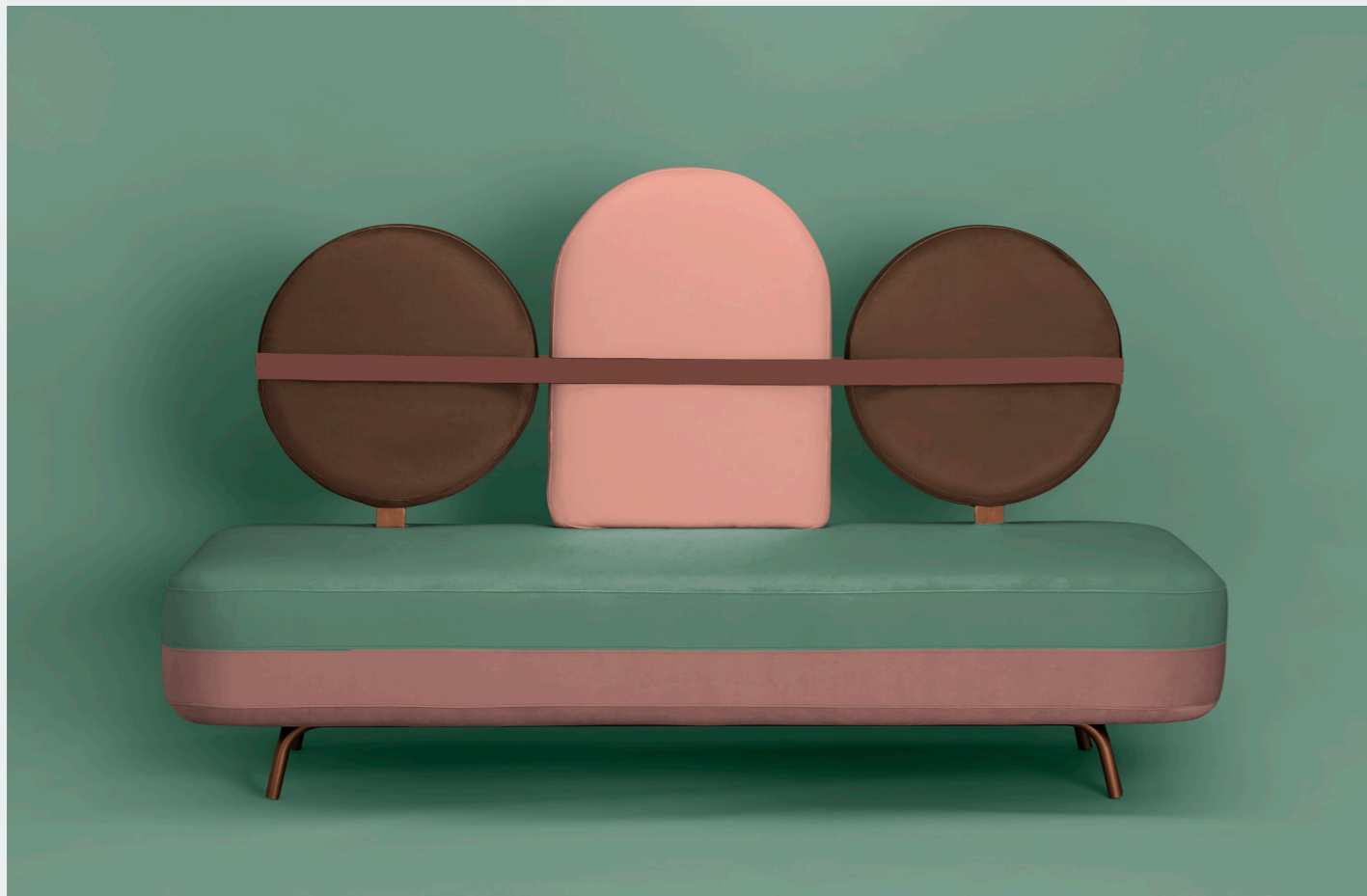
H

HOUTIQUE.

Three seater sofa.
Upholstery Velvet 100% polyester with backing. 345 gr / m ^ 2.
45000 Martindale cycles
40 kg fireproof rubber
Pinewood structure
Metal legs painted with Powder Coated
Dimensions: 180x78x112 cm



26



JIMI SOFA

DESIGNED BY
ELENA SALMISTRARO

JIMI SOFA

DESIGNED BY
ELENA SALMISTRARO

Jimi Sofa

Three-seat sofa

Velvet: 100% polyester with backing. 345 gr / m .

50000 Martindale cycles.

40 kg fireproof rubber.

Pinewood carcass.

Metal structure with painted with Powder Coated.

Designed by Elena Salmistraro.

Made in Spain.

Warranty:

All of our products are original designs.

We only use high quality raw materials.

All components follow international safety standards.

2 years warranty in production failures.

Use specs:

Do not use disolvents for cleanning, only use soft and dry cloth.

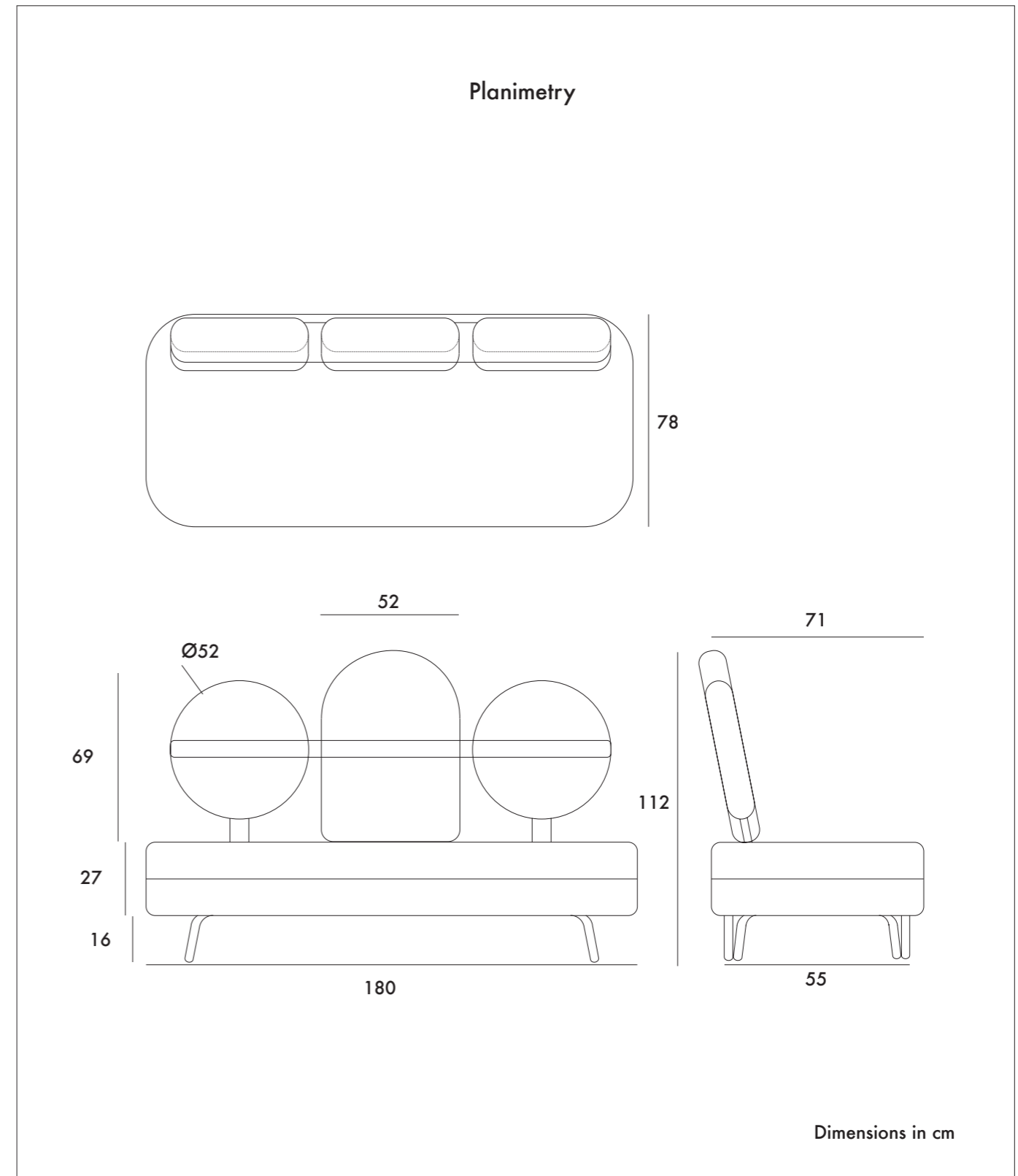
Before any operation on the fixture, please disconnect the power supplied.

The device may not be disposed of with household rubbish.

In case of emergency, please contact HOUTIQUE.

RR Price (NO VAT):

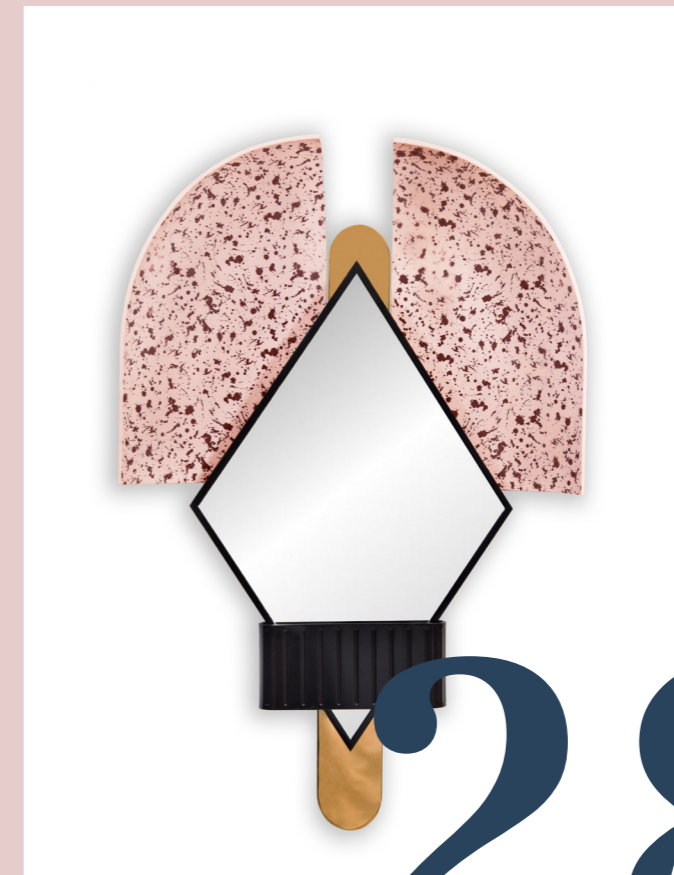
2295,00€





BONNET MIRROR

DESIGNED BY
ELENA SALMISTRARO



28

Mirror made of minerals and high strength resin.
Bevelled mirror.
Metallic Back Piece in 24 K Gold-plated /
copper-Plated / black Paint (according to model).
Dimensions: 70x15x99 cm

BONNET MIRROR

DESIGNED BY
ELENA SALMISTRARO

Bonnet Mirror

Mirror made of minerals and high strength resin.

Bevelled mirror.

24 K copper / Gold metallic back piece / black color powder coated (paint) --- According to model.

Warranty:

All of our products are original designs.

We only use high quality raw materials.

All components follow international safety standards.

2 years warranty in production failures.

Use specs:

Do not use disolvents for cleaning, only use soft and dry cloth.

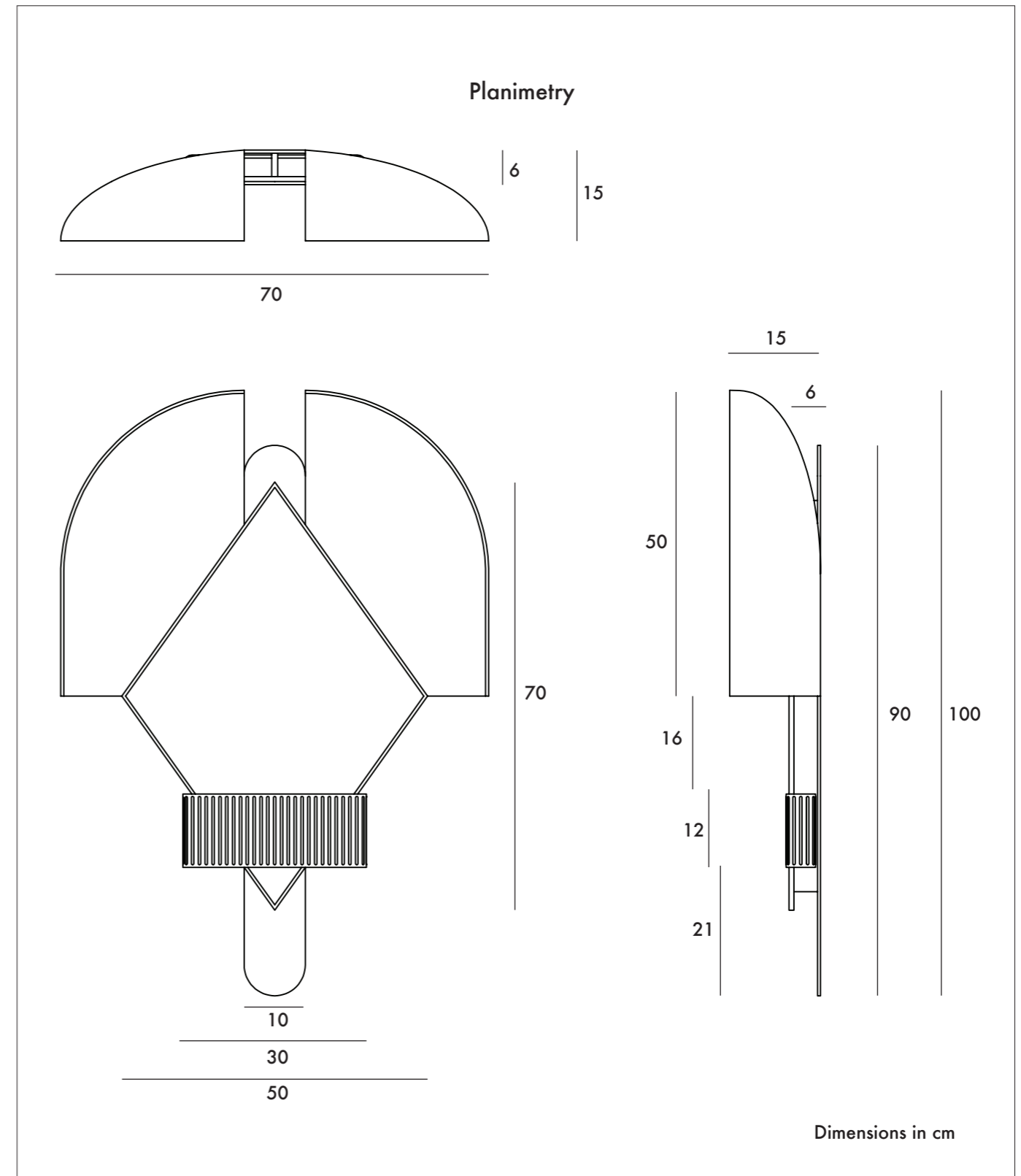
Before any operation on the fixture, please disconnect the power supplied.

The device may not be disposed of with household rubbish.

In case of emergency, please contact HOUTIQUE.

RR Price (NO VAT):

995,00€



**Do
as you
like!**

Create your own
combination of fringes
color, velvet pantone
and structure finishes
with our

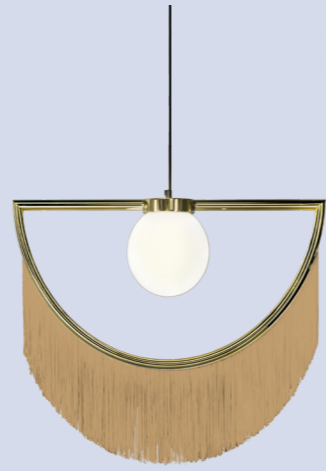
Materials book.



342



203



11



9



33



35



16



433



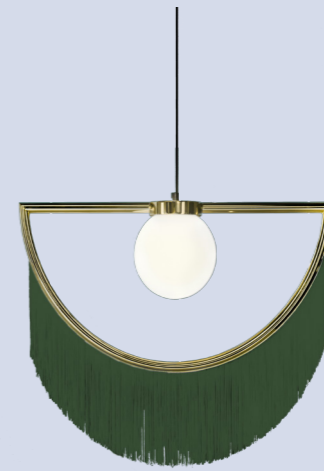
34



402



533



29

1,2,3



75



142



18



96

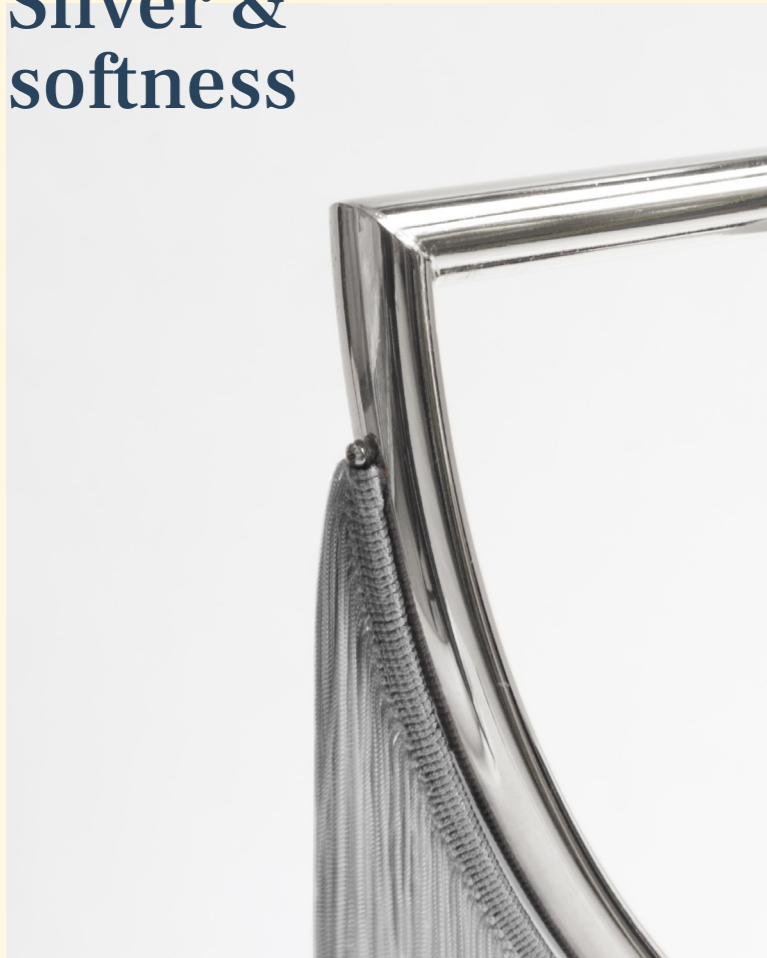


134

fringes in position.

change the color as you want!

**Silver &
softness**



**Structure
finishes:**



**Graphite &
elegance**

**Gold &
delicacy**



Let yourself fall on soft velvet!



By the way, we can create your own palette without a minimum order quantity.

Velvet specifications:

With: 140 cm
Fabric weight: 345 g
Stain free
Fire retardant
Fabric composition: PES 100%

Care and cleaning:

Liquids or oils absorb with a cloth or absorvent paper and then rub with gentle and circular movements. Stains of grease, pen, etc. moisten the paper or cloth in water with 5% of detergent. Always let the fabric dry. To remove the dust use a vacuum clenaer with soft brush.

Washing:

Washing maxine Max. 40°C. Neutral detergents. Don't drain, twist or centrifugate. Don't use bleach. Dont let dry inside the washing machine. Avoid to dry in the sun. iron from the backing side. Max. 110^a C. revive the velvet with a soft brush. Do not dry clean.

Test:

< 350 N	> 20 N	> 3 daN	< 4mm	< 6mm	< 7mm	50000 cycles	< 4
Tensile strength ISO 13934-1	Tear resistance BS 4303	Tear resistance DIN 53859-5	Movement sewing BS 3320	Movement sewing DIN 53838	Deform. fabric NF 6 35-104	Abrasion resistance ISO 12947	Resistance to pilling ISO/Dis 12945-2

Legal terms:

ENGLISH

1. WHEREAS

These Terms and Conditions of Sales govern transactions between HOUTIQUE and its customers/clients (BUYERS). HOUTIQUE specifically rejects any Terms or Conditions of Sale contained in any customer's form which may conflict with the following, unless expressly agreed in writing. These General Terms and Conditions are governed by Spanish law. Any reference made to trade terms (such as EXW, CIP, etc.) is deemed to be made to Incoterms published by the International Chamber of Commerce current at the date of conclusion of the contract.

2. ORDER CONFIRMATION

The payment of the total amount of the quantity indicated in the proforma invoice, previously reviewed and checked by the BUYER, will imply the confirmation of the order. The payment of a proforma issued by HOUTIQUE by the purchaser implies his acceptance unreserved of the general conditions of sales below. HOUTIQUE reserves the right to cancel any order of a customer with who there would be a payment issue of a previous order. All prices are in Euros, and are exclusive of tax and carriage. HOUTIQUE reserves the right to modify invoiced prices. The final price is fixed at the proforma invoice.

3. ORDER CANCELLATION HOUTIQUE

reserves the right to refuse cancellation of an order where the goods are ready for dispatch or in the process of manufacture. In certain circumstances HOUTIQUE may accept alterations to or cancellation of an order where the BUYER agrees to bear any cost incurred.

4. TRANSPORT CONDITIONS

Transport charges shall be borne by the BUYER (up to the order amount indicated below), either it is organized by our carrier. The products are delivered at the delivery address given by the customers, specified in the lower part of

the proforma invoice. HOUTIQUE reserves the right to do partial deliveries. In case of noticing any damage to the merchandise, the BUYER shall write it down in detail and obligatorily on HOUTIQUE's delivery note and on the one of the transport company, to be remitted later (both of them) to info@houtique.es . Delivery time will depend on the type product and quantity. HOUTIQUE is not responsible for delays in delivery due to any cause beyond our control. HOUTIQUE reserves the right to modify the above conditions for certain EU countries. In this case, these will be previously agreed with the BUYER.

5. SHIPPING COSTS

For EU countries' customers, deliveries will be free of charge for orders over 1000 € (Euros) (Ex VAT). Below this amount, HOUTIQUE will include the shipping costs in the proforma invoice, to be paid by the BUYER.

6. COMPLAINTS AND CLAIMS

Any complaints relating to packing, quantity, number or features of the Products, must be notified to HOUTIQUE, in writing, within 5 working days from receipt of the products in the way explained in the section 4, TRANSPORT CONDITIONS, paragraph 2; failing such notification implies that the BUYER's right to claim the above defects will be forfeited. The goods must be retained by the BUYER but must not be returned to HOUTIQUE without the specific agreement of HOUTIQUE. HOUTIQUE contemplates a 2-year guarantee. HOUTIQUE will not be responsible for any damage on the product after the delivery caused by incorrect handling, misuse or actions that contradict the specifications of use

It is agreed that any HOUTIQUE's liability (both contractual or extra-contractual) which may arise from the Products supplied and/or their resale (e.g. compensation of damages, loss of profit, damage to the image, etc.) is expressly excluded. If the complaint is not due to the transport, HOUTIQUE, upon verification, will

exchange your products, or send you a credit note (previously agreed). Any complaint made out one year after reception will not be accepted. Any return of products in our warehouse without any authorization nor a return reference number will be refused.

7. PAYMENT CONDITIONS

The order will be processed, prepared and shipped after receiving the payment of the total amount indicated in the proforma invoice. Any banking costs shall be at the expense of the BUYER.

8. INTELLECTUAL PROPERTY

All texts and images copied on HOUTIQUE's website are reserved under copyright and under title deed and all over the world. On this account and in accordance with the disposals of the Title deed Code, only the ability for a private use under different or even more restrictive disposals of the Title deed code is authorized. Any other use will be considered as an imitation and will be punished on the account of the Title deed, except previous authorization of HOUTIQUE. Any partial or total copy of HOUTIQUE's catalogue is prohibited.

9. DISPUTE RESOLUTION

Any conflict that may arise between HOUTIQUE and BUYER(S) will be solved through the application of the Spanish Law in force.

ESPAÑOL

1. CONDICIONES PREVIAS

Estos Términos de ventas regulan las transacciones entre HOUTIQUE y sus clientes (COMPRADORES). HOUTIQUE rechaza específicamente cualquier otros Términos o Condiciones de Venta contenidos en el formulario de cualquier cliente que puedan entrar en conflicto con los siguientes, a menos que se acuerde expresamente por escrito. Los presentes Términos y Condiciones Generales se rigen por la Legislación española vigente. Cualquier referencia hecha a términos comerciales (tales como EXW, CIP, etc.) se considerará realizada a los Incoterms publicados por la Cámara de Comercio Internacional en la fecha de la conclusión del contrato.

2. CONFIRMACIÓN DE PEDIDO El pago del importe total de la cantidad indicada en la factura proforma, previamente revisada y verificada por el COMPRADOR, implicará la confirmación del pedido. El pago de una proforma emitida por HOUTIQUE por el comprador implica su aceptación sin reservas de las condiciones generales de venta siguientes. Todos los precios están en euros y no incluyen impuestos ni transporte. HOUTIQUE se reserva el derecho de modificar los precios facturados. El precio final se fija en la factura proforma.

3. CANCELACIÓN DE PEDIDOS HOUTIQUE

se reserva el derecho de rechazar la cancelación de un pedido cuando las mercancías estén listas para su envío o en el proceso de fabricación. En determinadas circunstancias, HOUTIQUE puede aceptar alteraciones o la cancelación de un pedido cuando el COMPRADOR acepta pagar los costos incurridos.

4. CONDICIONES DE TRANSPORTE Los gastos de transporte correrán a cargo del COMPRADOR (hasta el importe del pedido indicado en la sección

5, SHIPPING COSTS), aunque esté organizado por nuestro transportista. Los productos se entregarán en la dirección de entrega proporcionada por los clientes, especificada en la parte inferior de la factura proforma. HOUTIQUE se reserva el derecho de realizar entregas parciales. En caso de notar cualquier daño en la mercancía, el COMPRADOR deberá escribirla detallada y obligatoriamente en el albarán de entrega de HOUTIQUE y en el de la empresa de transporte, que se enviarán posteriormente (ambos) a info@houtique.es. El tiempo de entrega dependerá del tipo de producto y la cantidad. HOUTIQUE no es responsable de los retrasos en la entrega

debidos a cualquier causa fuera de nuestro control. HOUTIQUE se reserva el derecho de modificar las condiciones anteriores para ciertos países de la UE. En estos casos, estos serán previamente acordados con el COMPRADOR.

5. GASTOS DE ENVÍO

Para los clientes de los países de la UE, las entregas serán gratuitas para pedidos superiores a 1000 € (Euros) (sin IVA). Por debajo de este importe, HOUTIQUE incluirá los gastos de envío en la factura proforma, que deberá pagar el COMPRADOR.

6. QUEJAS Y RECLAMACIONES

Cualquier queja relacionada con el embalaje, la cantidad, el número o las características de los Productos, debe ser notificada a HOUTIQUE, por escrito, dentro de los 5 días hábiles a partir de la recepción de los productos en la forma explicada en la sección 4, CONDICIONES DE TRANSPORTE, párrafo 2; el incumplimiento de dicha notificación implica que el derecho del COMPRADOR a reclamar los defectos anteriores se perderá. Los bienes deben ser retenidos por el COMPRADOR, pero no deben devolverse a HOUTIQUE sin el acuerdo específico de HOUTIQUE. HOUTIQUE contempla una garantía de 2 años. HOUTIQUE no será responsable de ningún daño en el producto después de la entrega causado por una manipulación incorrecta, mal uso o acciones que contradigan las especificaciones e indicaciones de uso. Se acuerda que cualquier responsabilidad de HOUTIQUE (tanto contractual como extracontractual) que pueda surgir de los Productos suministrados y / o su reventa (por ejemplo, compensación de daños, pérdida de beneficios, daños a la imagen, etc.) se excluye expresamente. Si la queja no se debe al transporte, HOUTIQUE, después de la verificación, intercambiará sus productos o le efectuará un reembolso (previo acuerdo). Cualquier queja hecha un año después de la recepción no será aceptada. Cualquier devolución de productos en nuestro almacén sin ninguna autorización ni un número de referencia de devolución será rechazada.

7. CONDICIONES DE PAGO El pedido se procesará, preparará y enviará después de recibir el pago del importe total indicado en la factura proforma. Cualquier gasto bancario correrá a cargo del COMPRADOR.

8. PROPIEDAD INTELECTUAL

Todos los textos e imágenes copiados en el sitio web de

HOUTIQUE están reservados bajo copyright y bajo título de propiedad y en todo el mundo. A este respecto y de acuerdo con las disposiciones del Código de propiedad, solo se autoriza la posibilidad de un uso privado bajo disposiciones diferentes o incluso más restrictivas del Código. Cualquier otro uso será considerado como una imitación y será castigado, excepto la autorización previa de HOUTIQUE. Queda prohibida cualquier copia parcial o total del catálogo de HOUTIQUE.

9. RESOLUCION DE CONFLICTOS

Cualquier conflicto que pueda surgir entre HOUTIQUE y el COMPRADOR(ES) se resolverá mediante la aplicación de la Legislación española vigente. exchange your products, or send you a credit note (previously agreed). Any complaint made out one year after reception will not be accepted. Any return of products in our warehouse without any authorization nor a return reference number us will be refused.

7. PAYMENT CONDITIONS

The order will be processed, prepared and shipped after receiving the payment of the total amount indicated in the proforma invoice. Any banking costs shall be at the expense of the BUYER.

8. INTELLECTUAL PROPERTY

All texts and images copied on HOUTIQUE's website are reserved under copyright and under title deed and all over the world. On this account and in accordance with the disposals of the Title deed Code, only the ability for a private use under different or even more restrictive disposals of the Title deed code is authorized. Any other use will be considered as an imitation and will be punished on the account of the Title deed, except previous authorization of HOUTIQUE. Any partial or total copy of HOUTIQUE's catalogue is prohibited.

9. DISPUTE RESOLUTION

Any conflict that may arise between HOUTIQUE and BUYER(S) will be solved through the application of the Spanish Law in force.

**Watch out,
stereotypes not
allowed! Let's talk!**

**If you want to see other versions
check out our Instagram.
@houtique_**

HOUTIQUE®

info@houtique.es