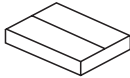




Kave® Cares



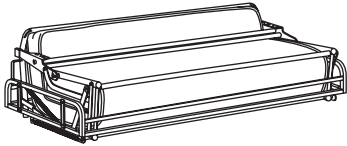
20 min



x4



x2



A x1



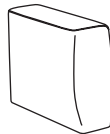
B x4



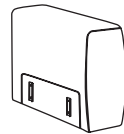
C x1



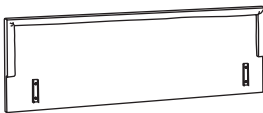
D x1



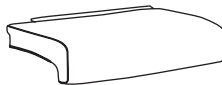
E x1



F x1



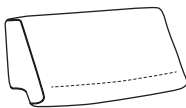
G x1



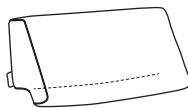
H x1



I x1



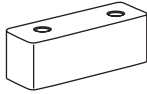
J x1



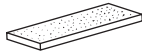
K x1



L x1



M x4



N x8



O x8
M6x50mm



P x1
4mm



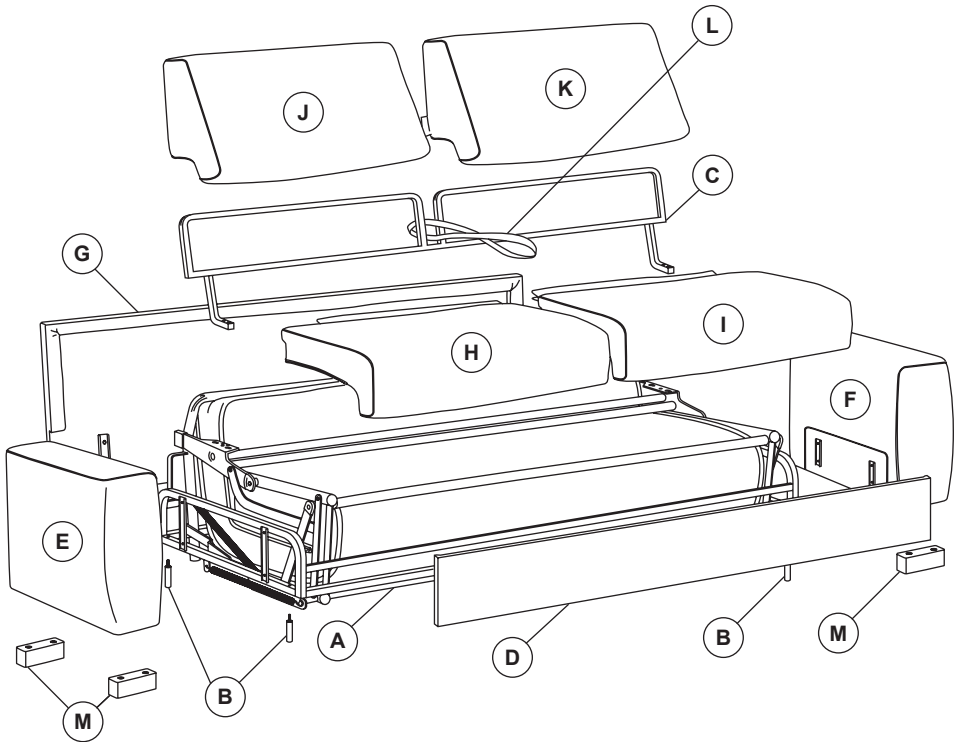
Q x4
M6x30mm



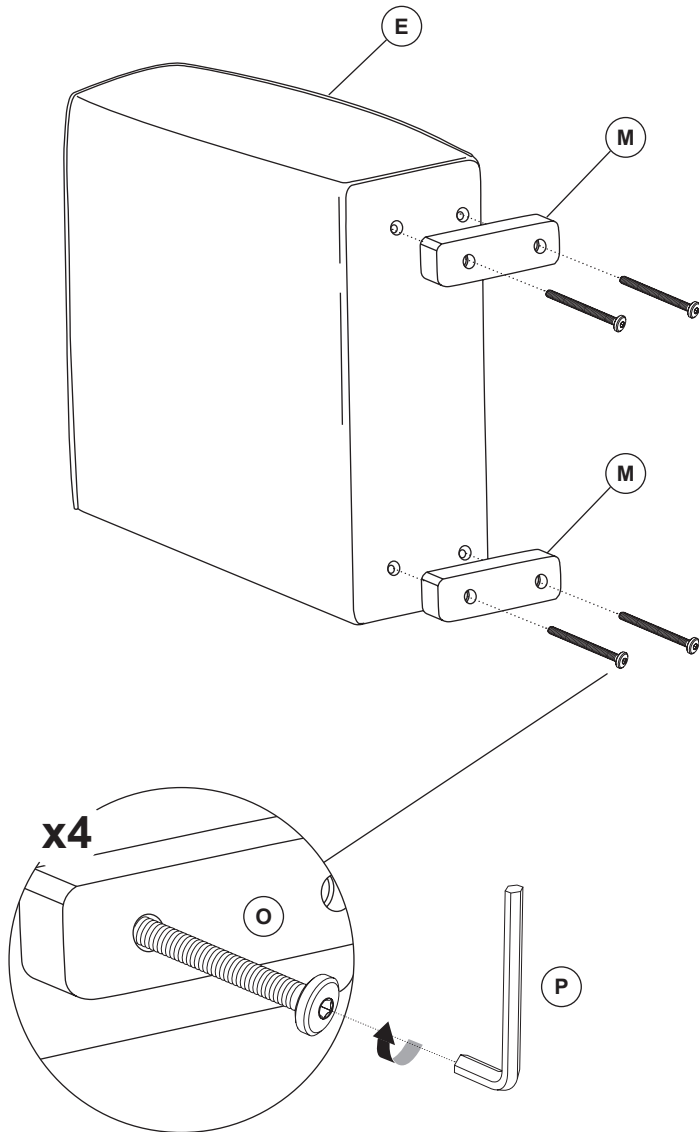
R x4
M6



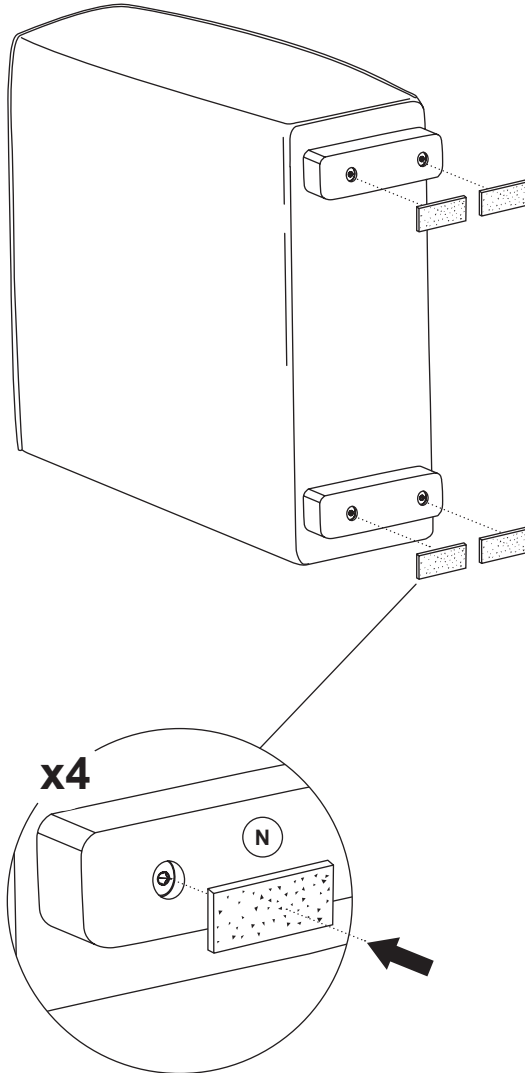
S x4
M6



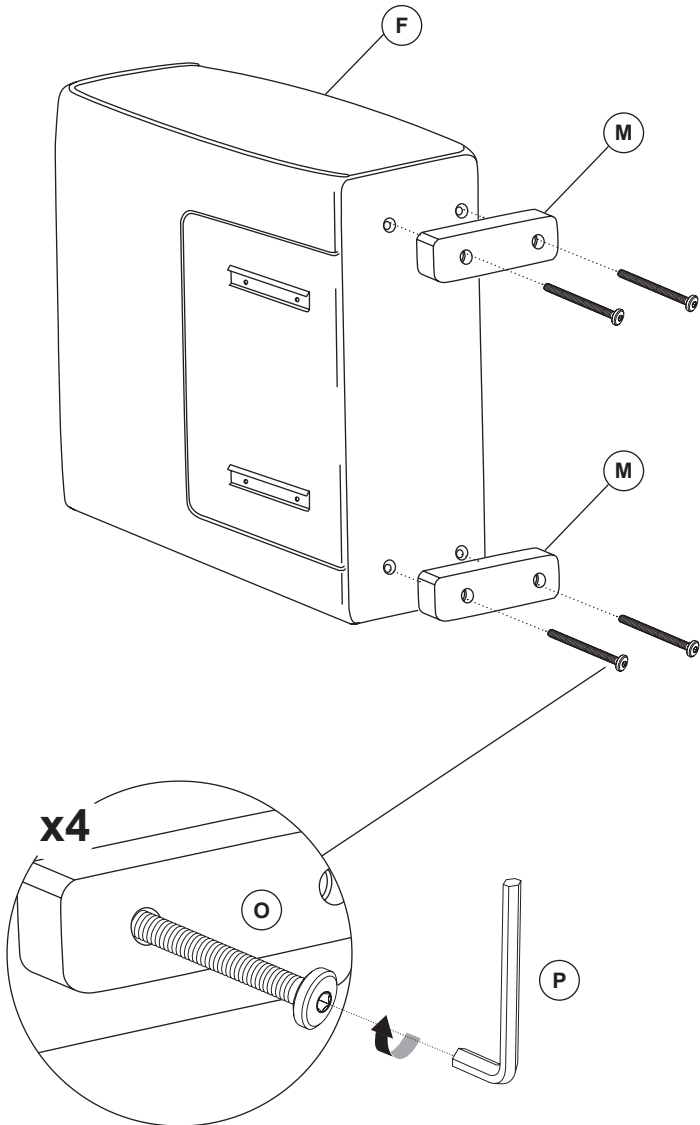
1



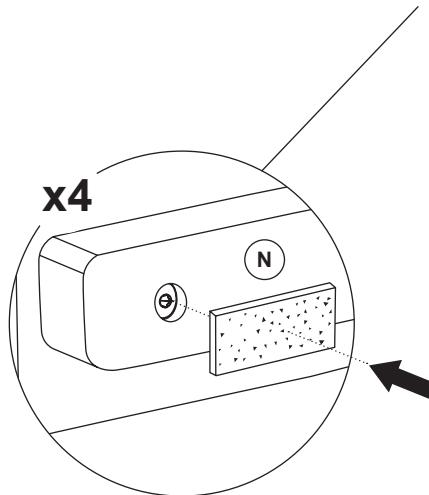
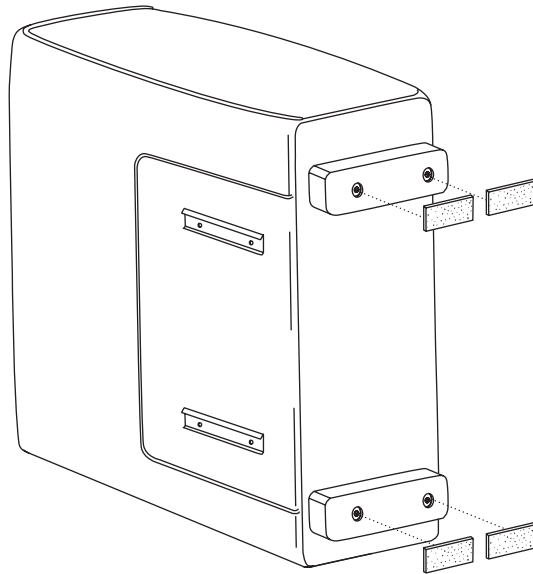
2

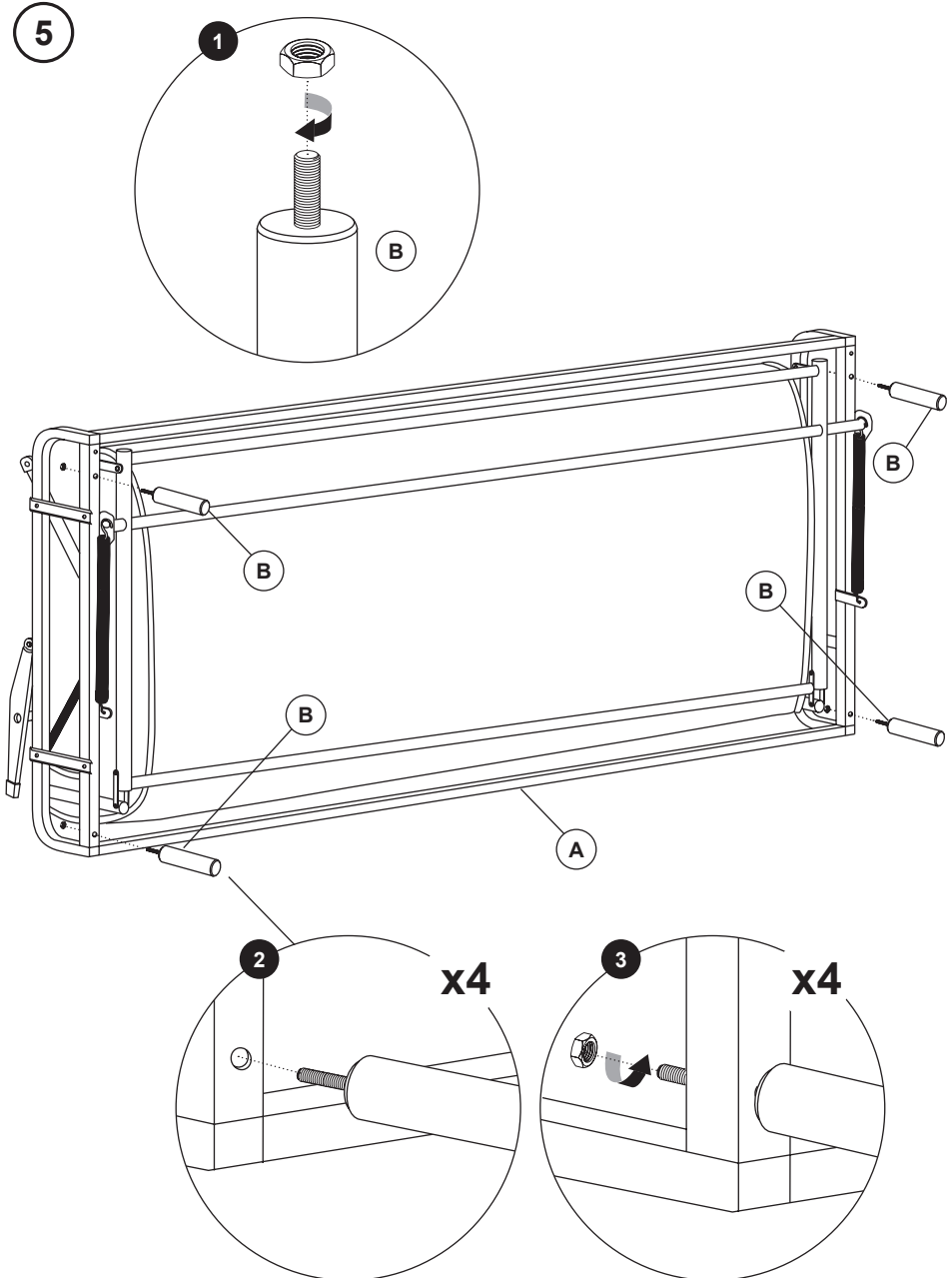


3

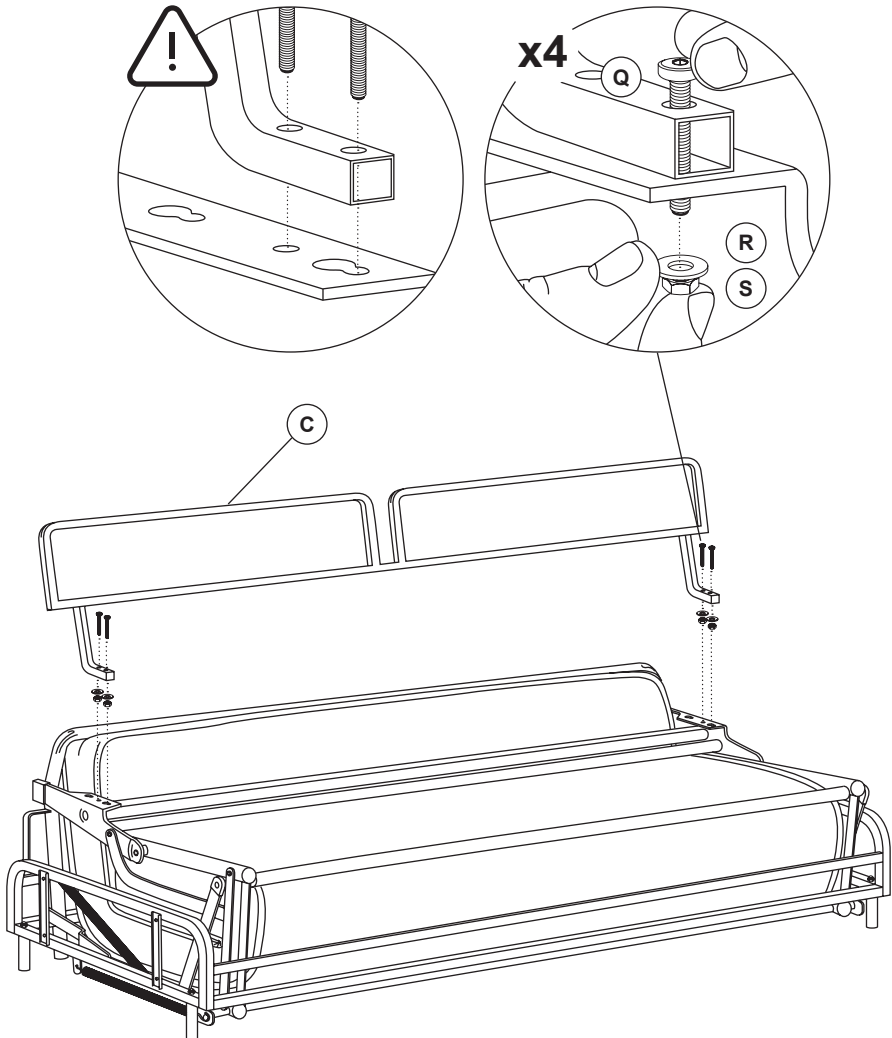


4

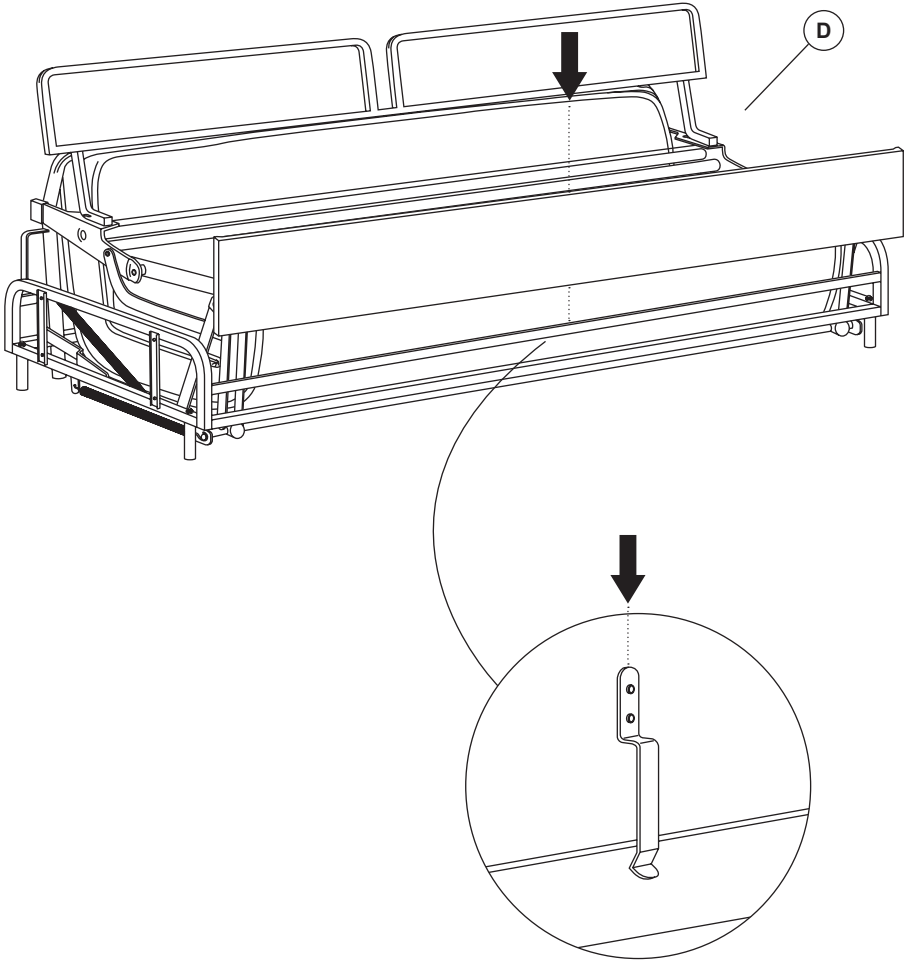




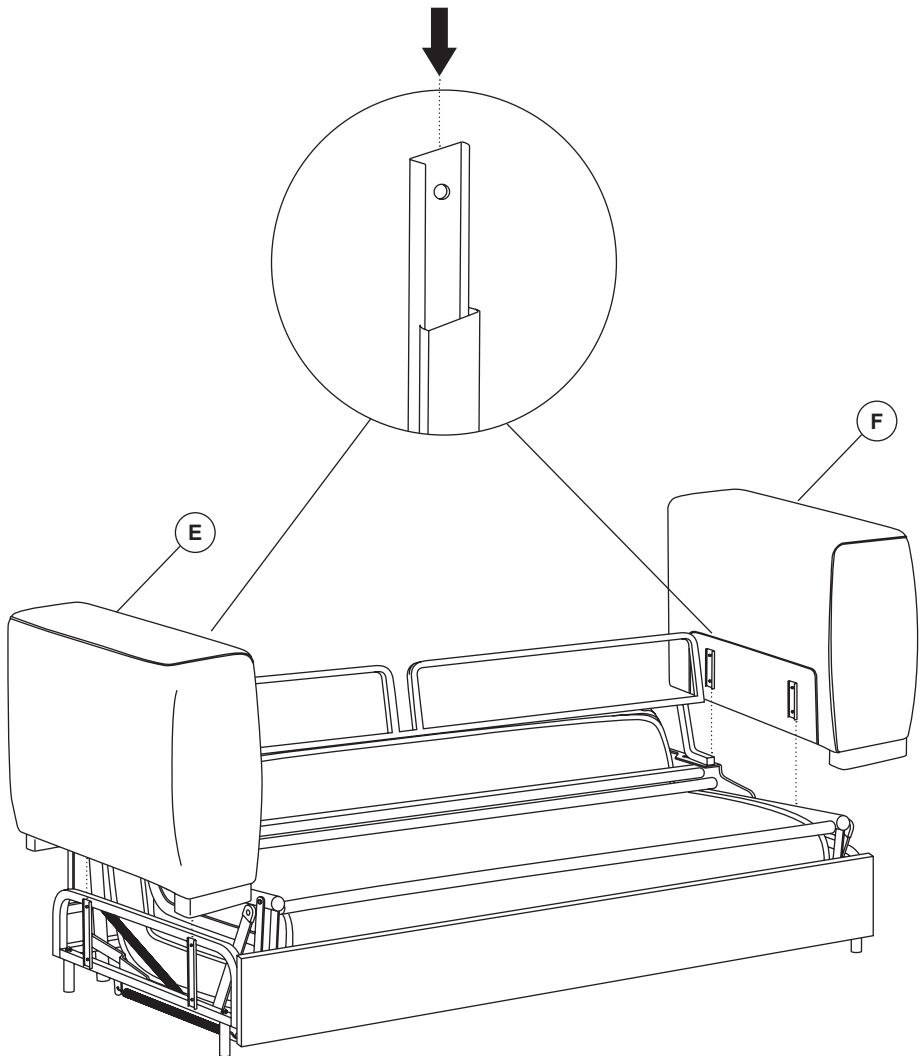
6



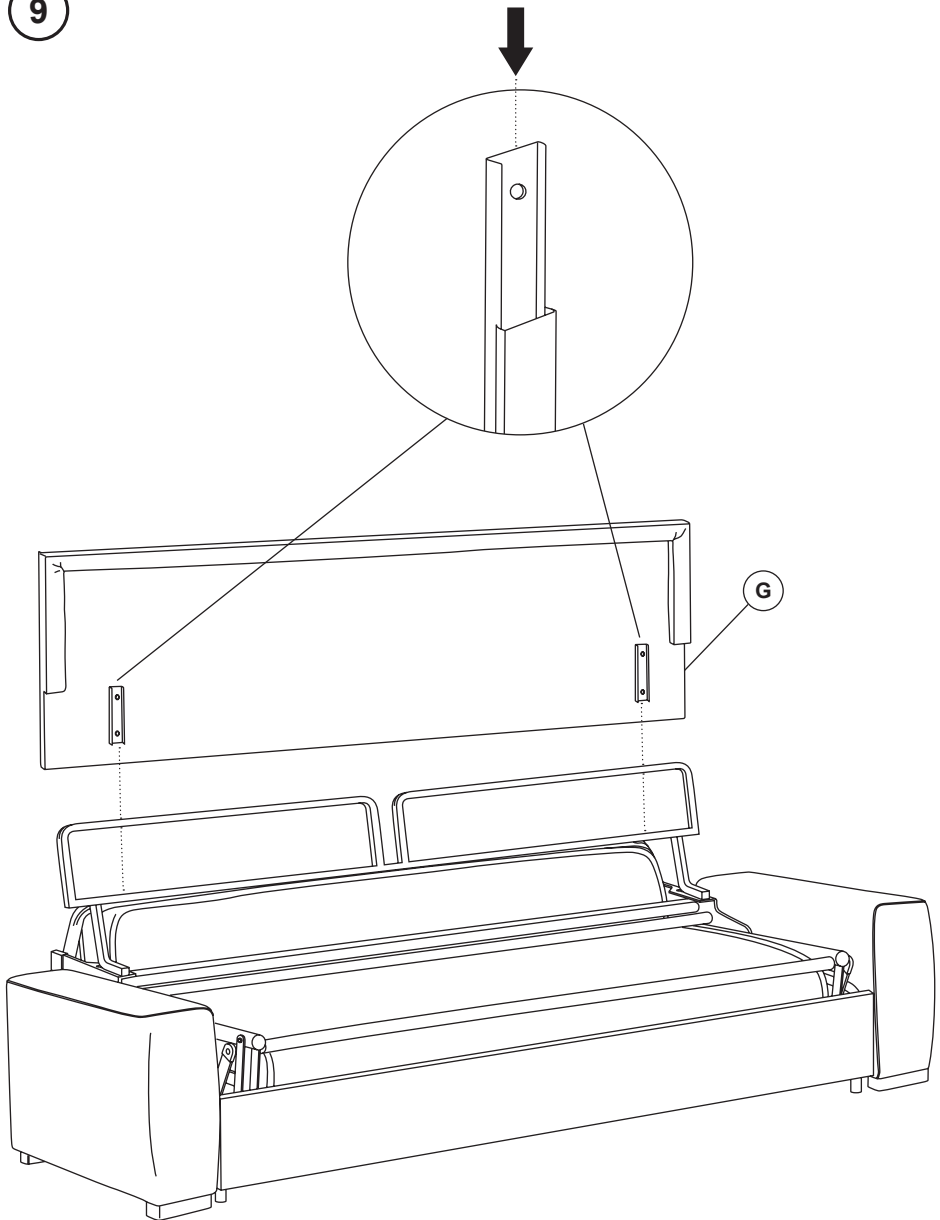
7



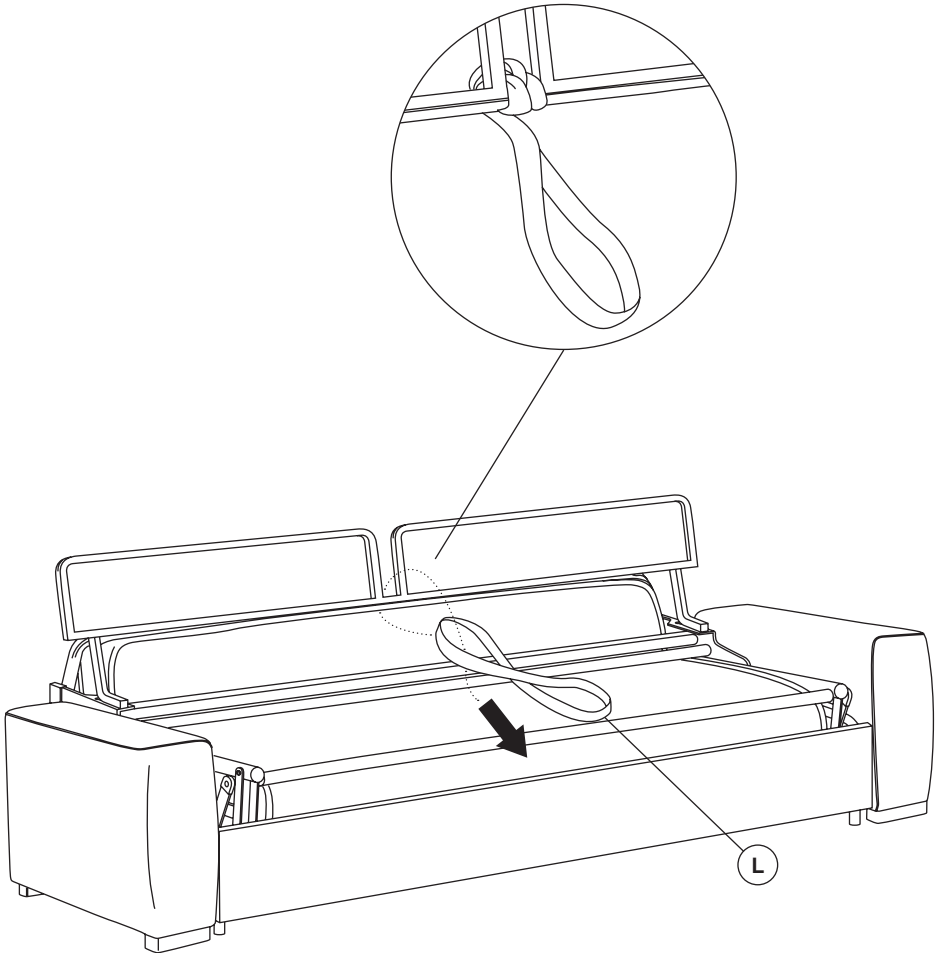
8



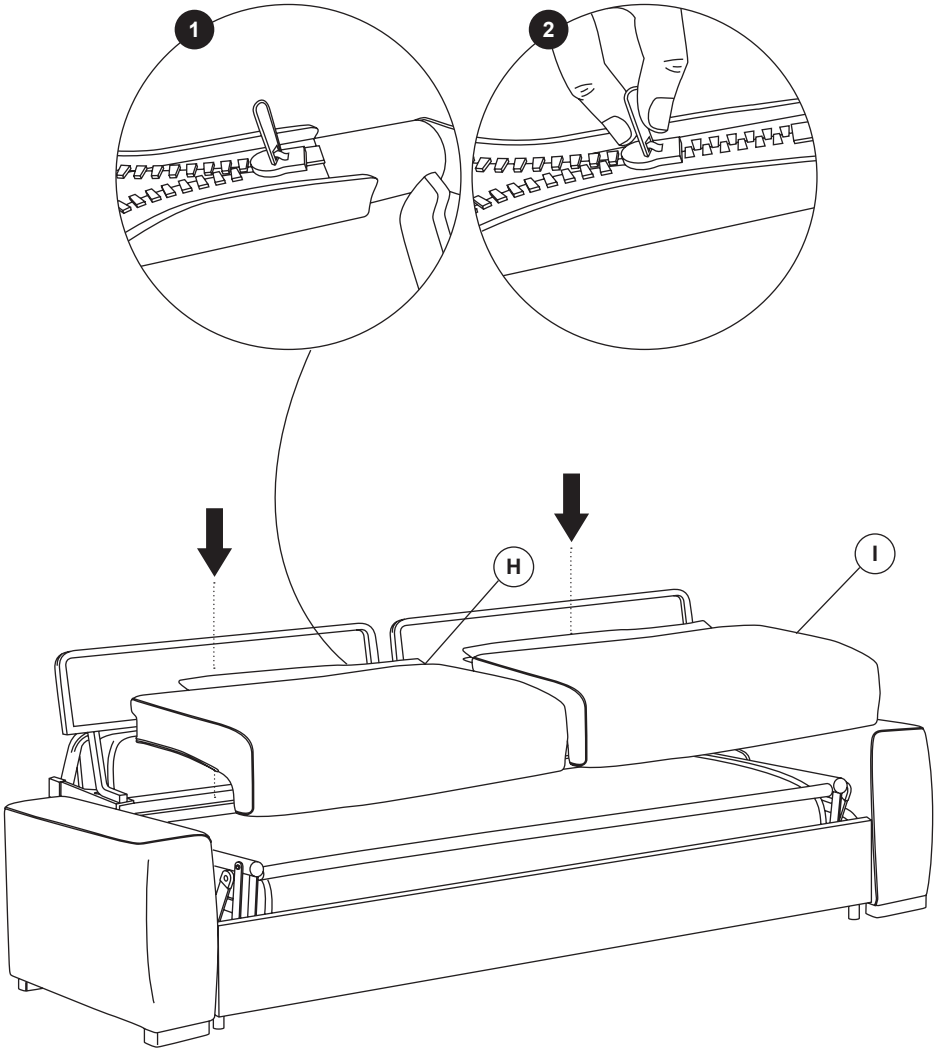
9



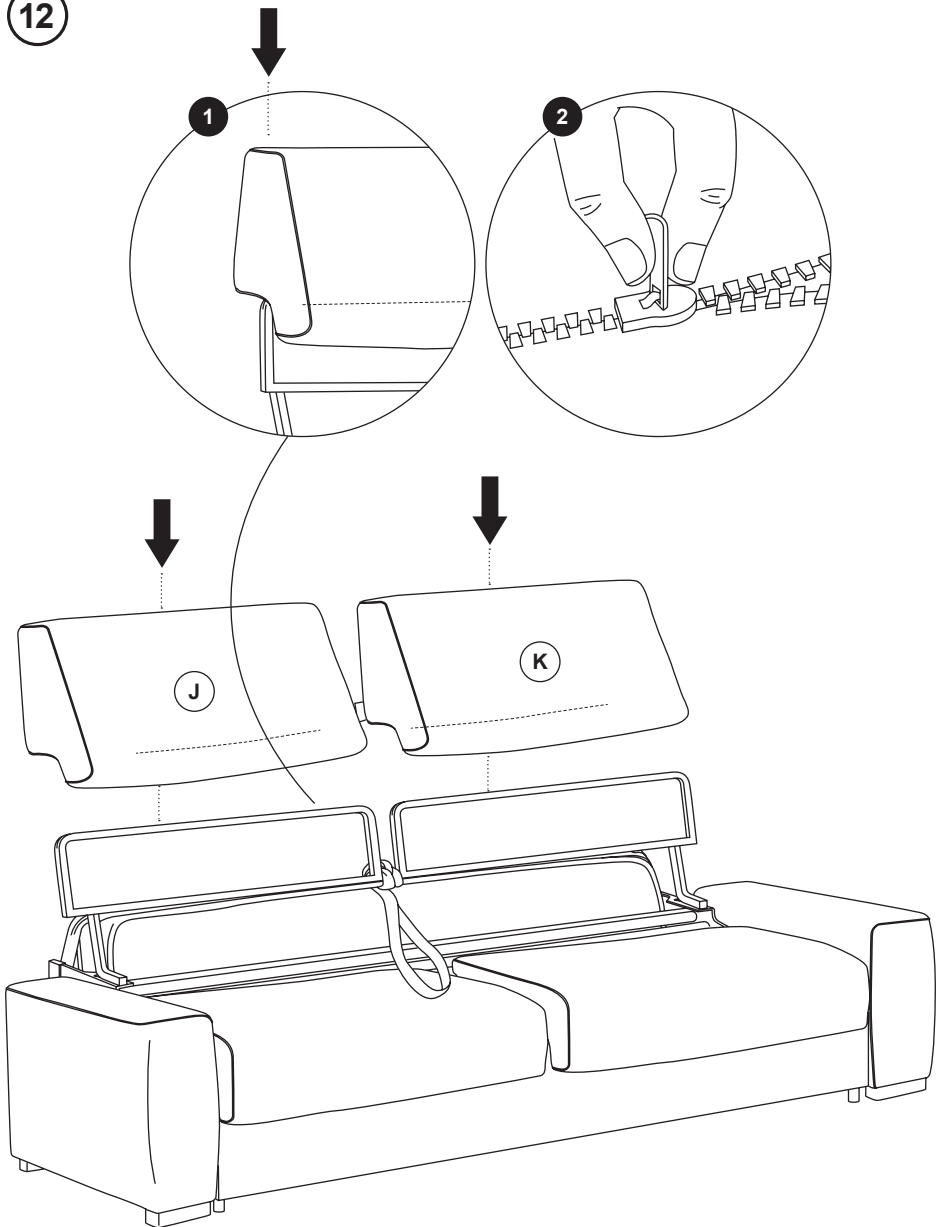
10

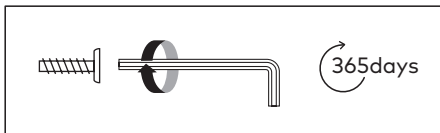
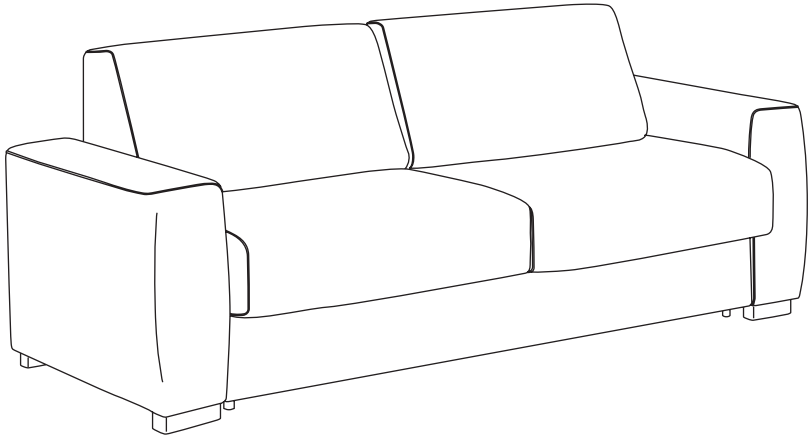


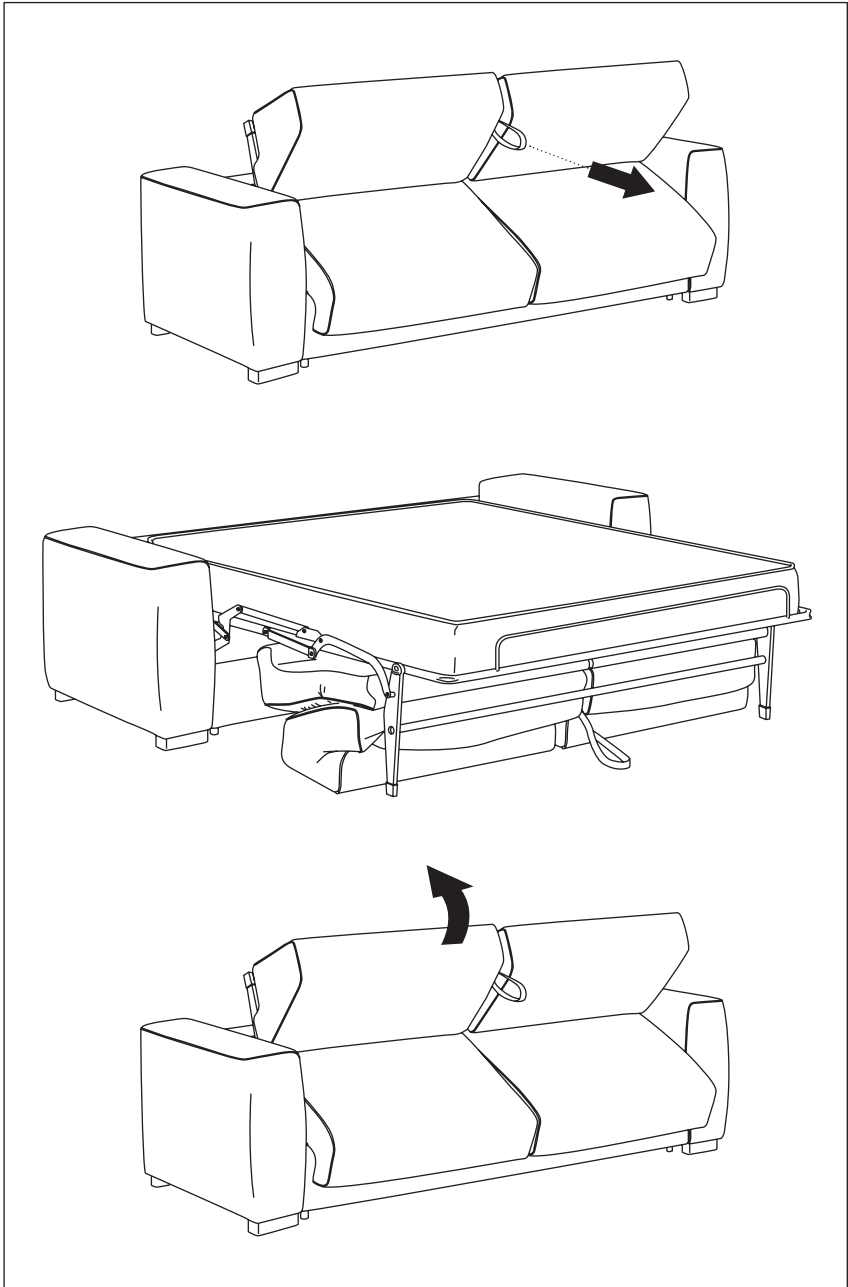
11



12









THAT'S ALL FOLKS!

Share your style!

#KaveHome

