

# ASSEMBLY INSTRUCTION

## CP1302-E-1096

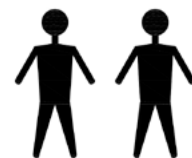
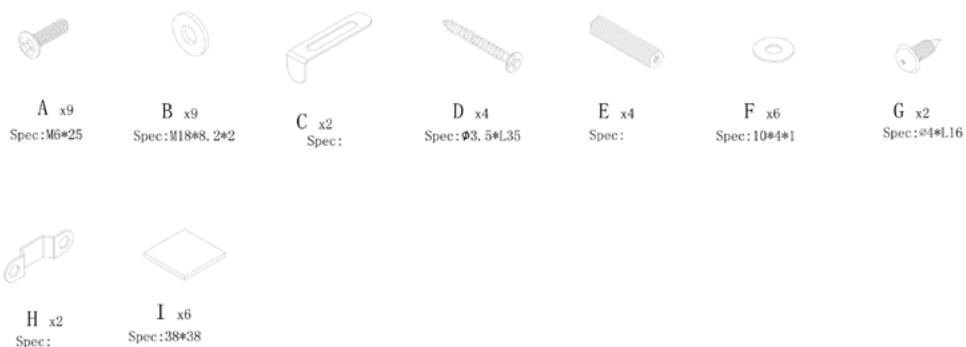
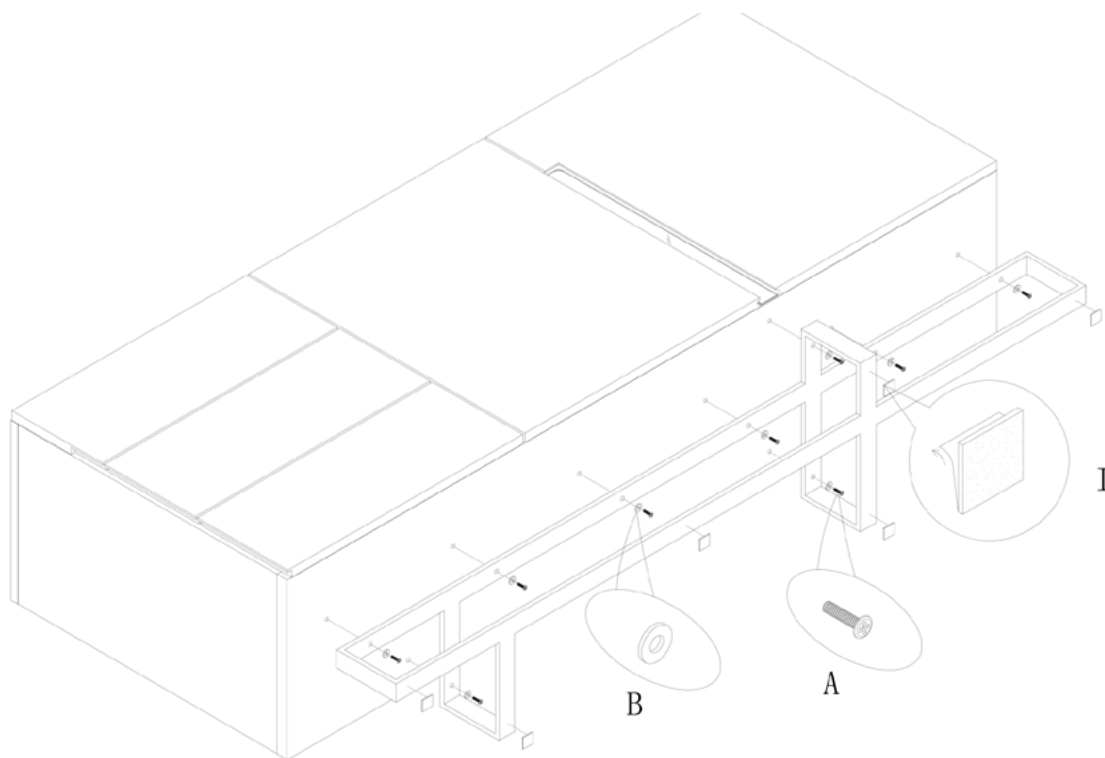
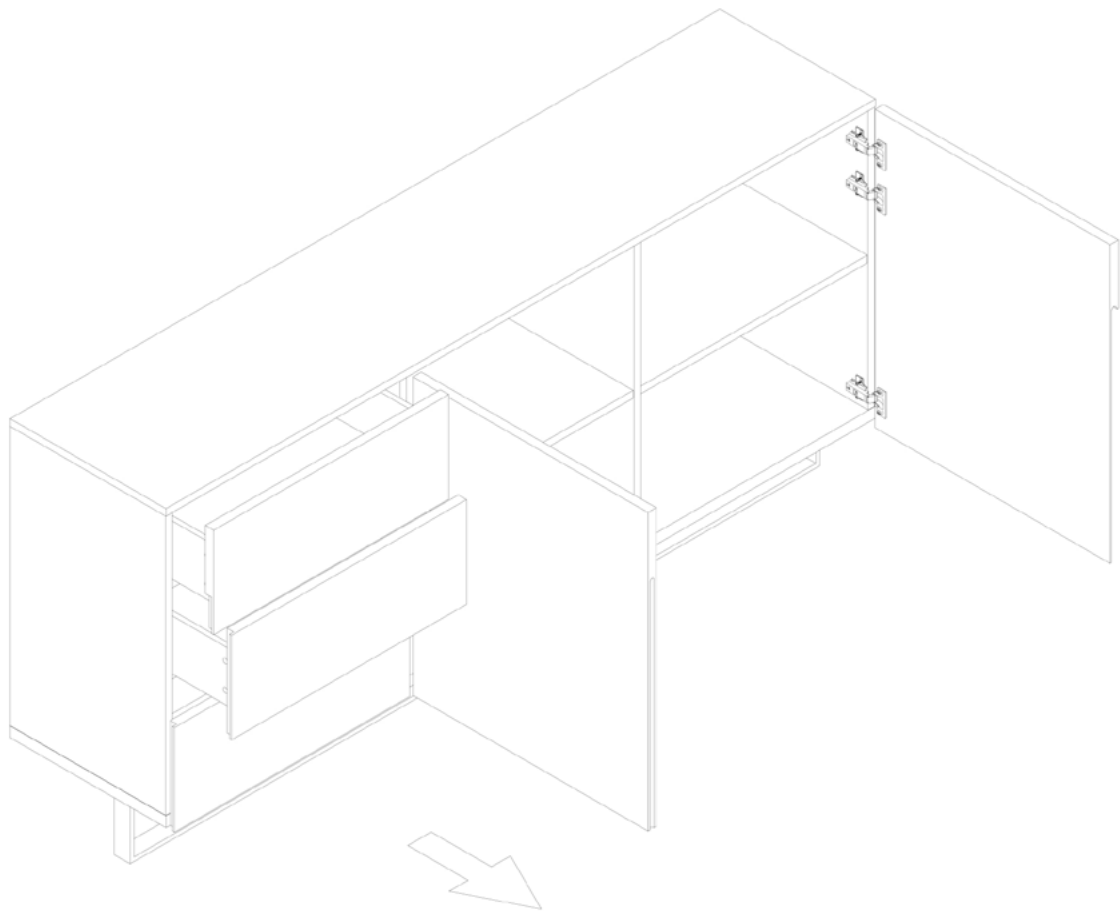


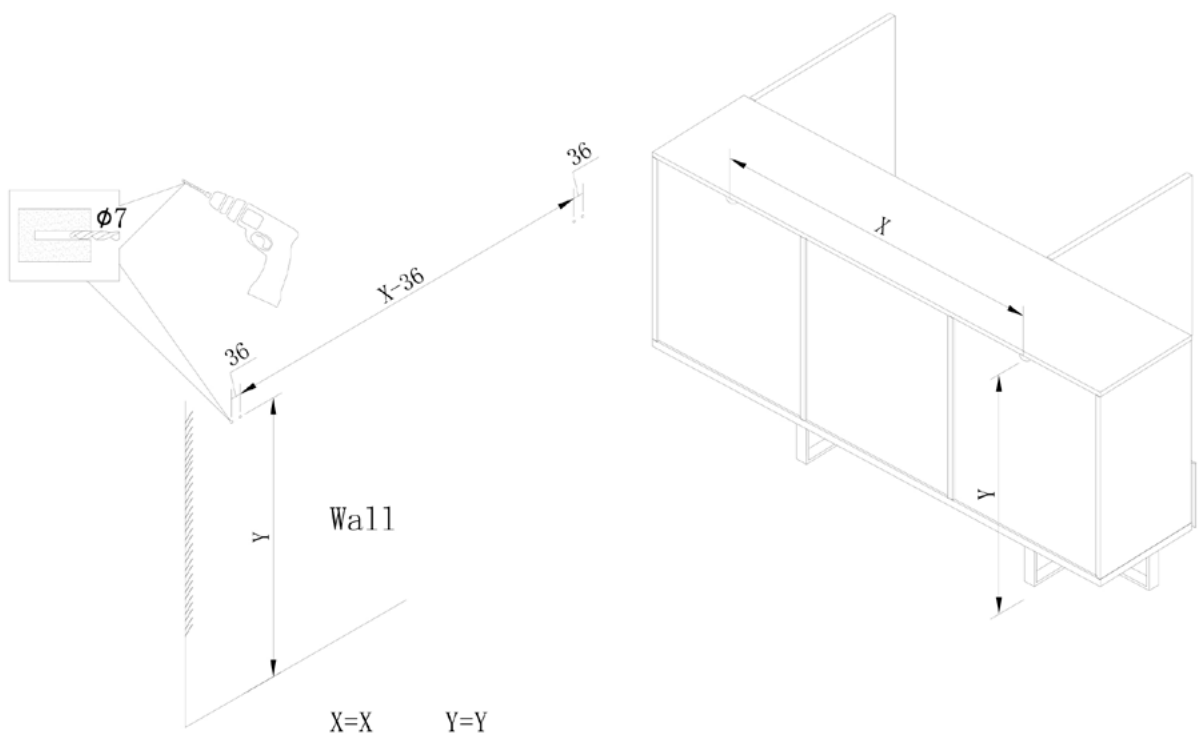
FIG.  
1



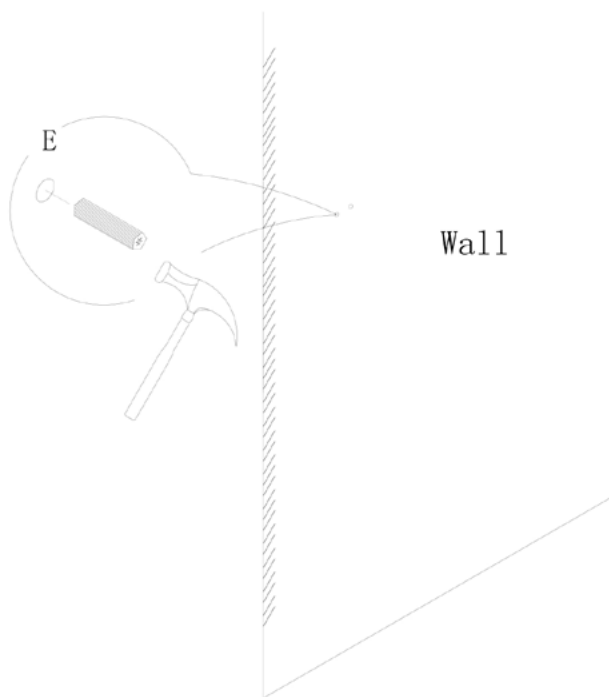
**FIG.**  
**2**



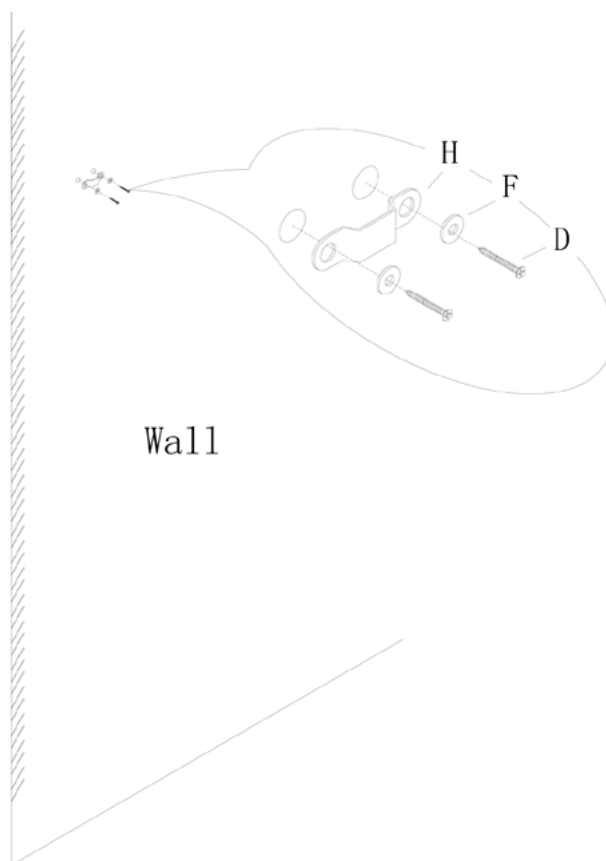
**FIG.**  
**3**



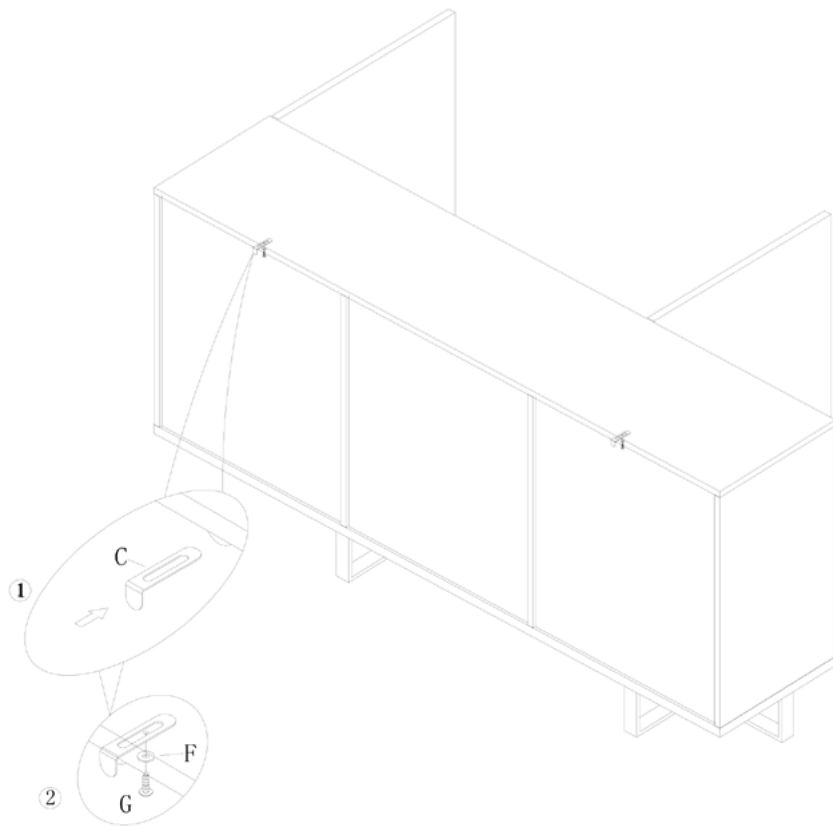
**FIG.**  
**4**



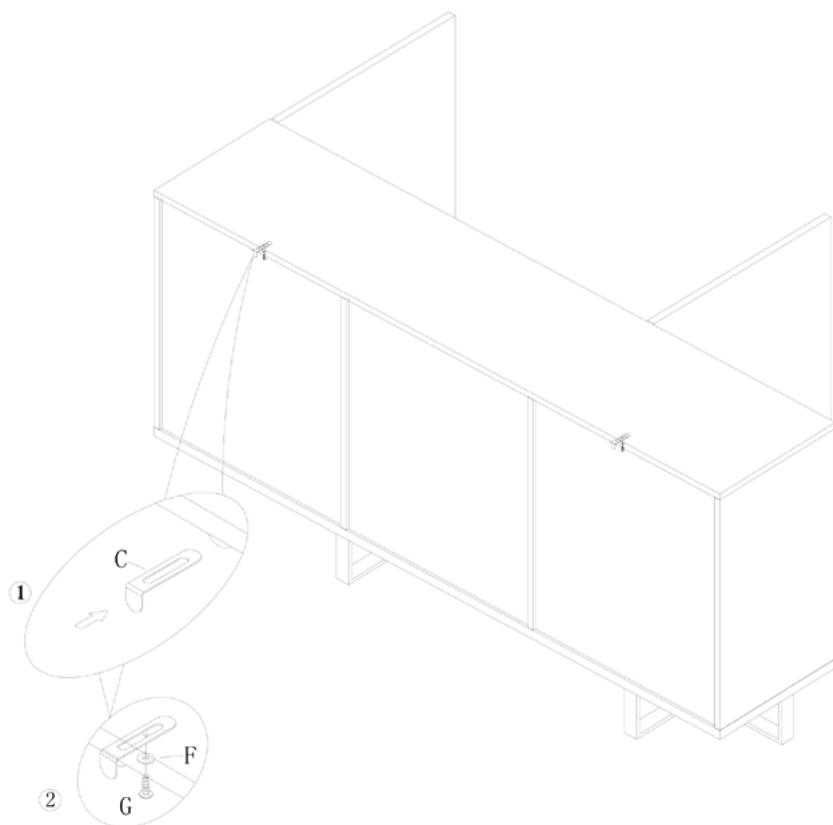
**FIG.**  
**5**



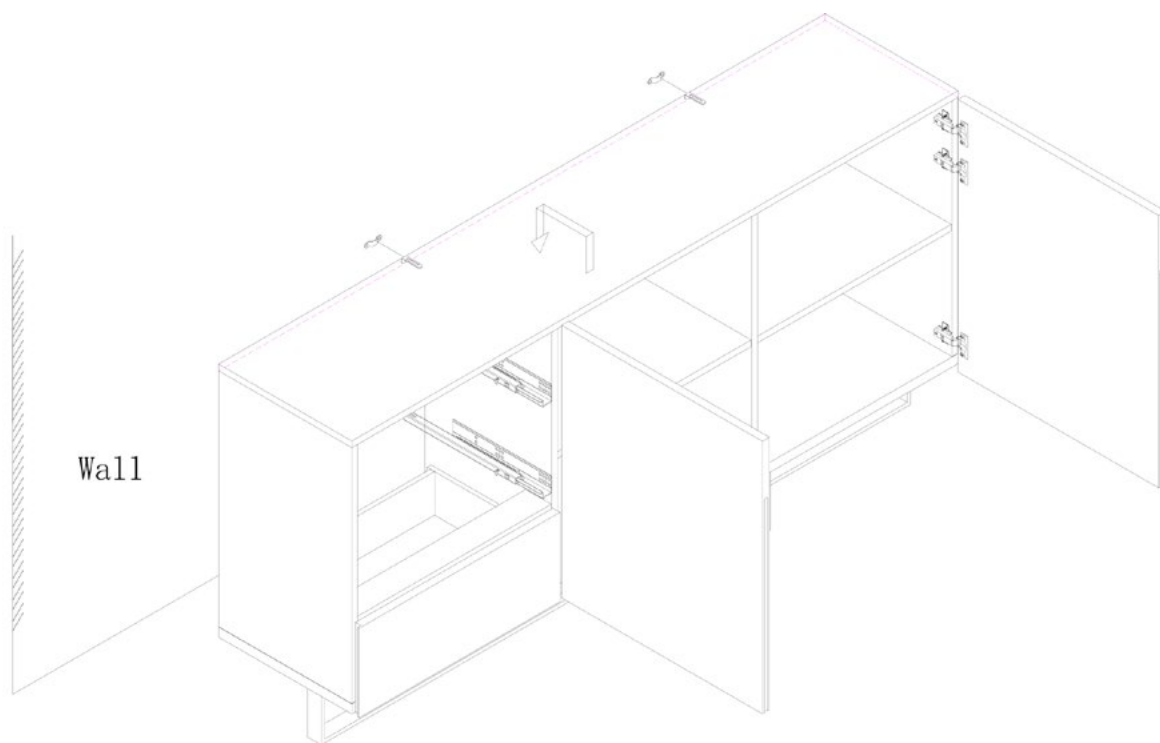
**FIG.**  
**6**



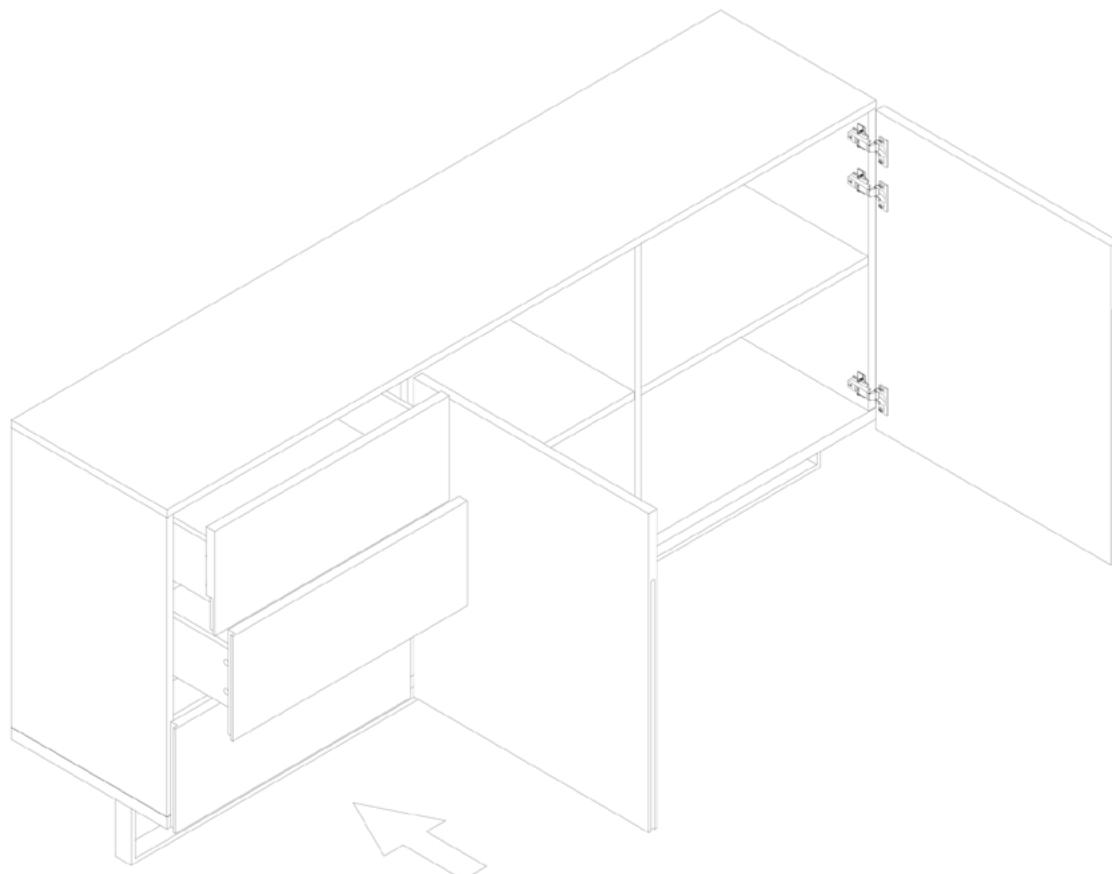
**FIG.**  
**7**



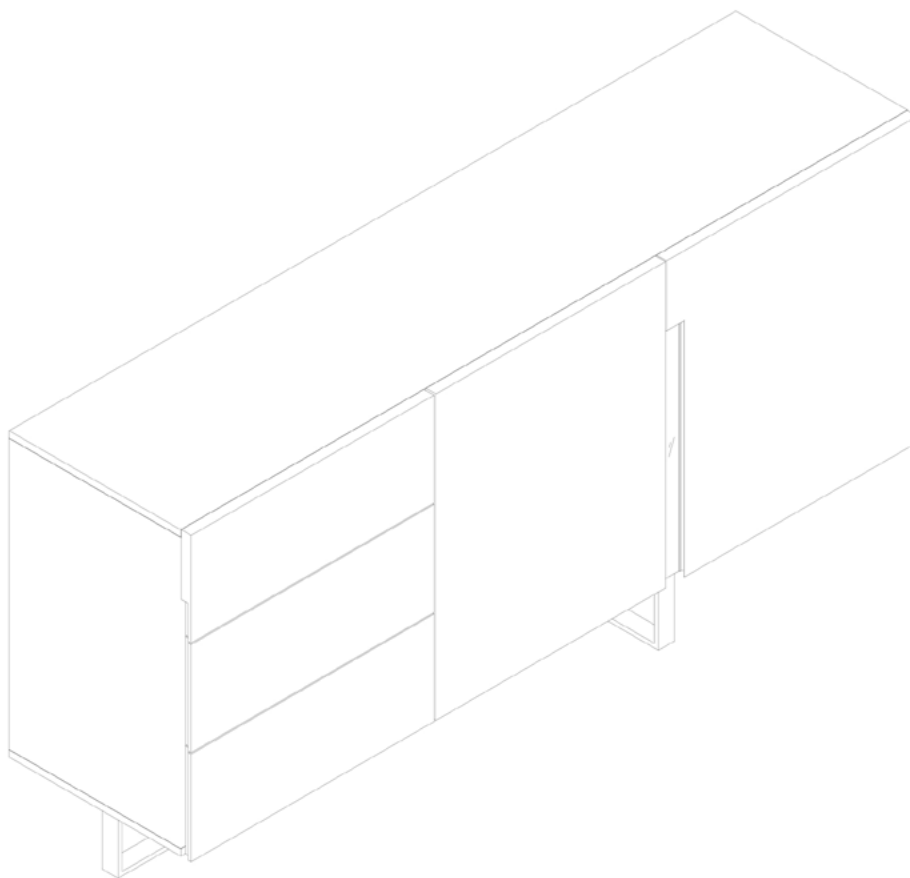
**FIG.**  
**8**



**FIG.**  
**9**

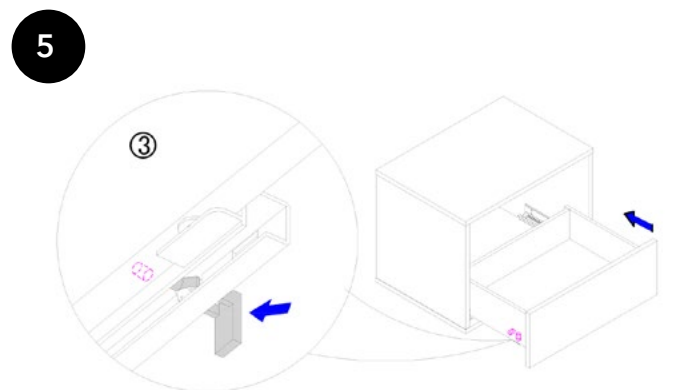
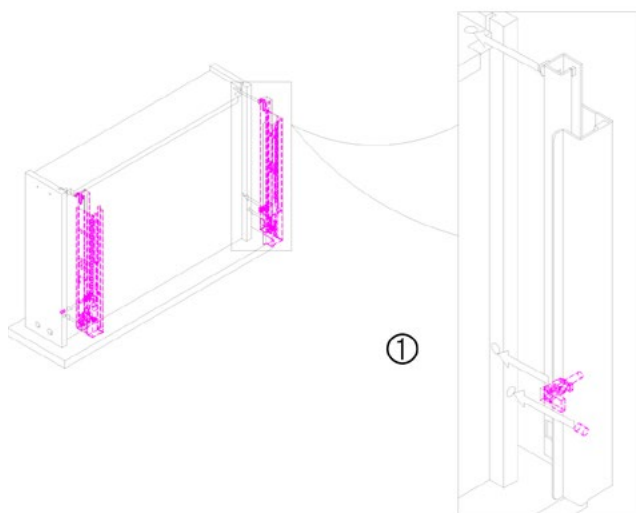
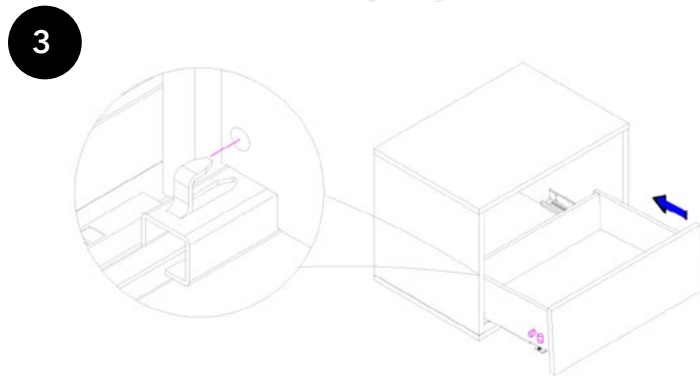
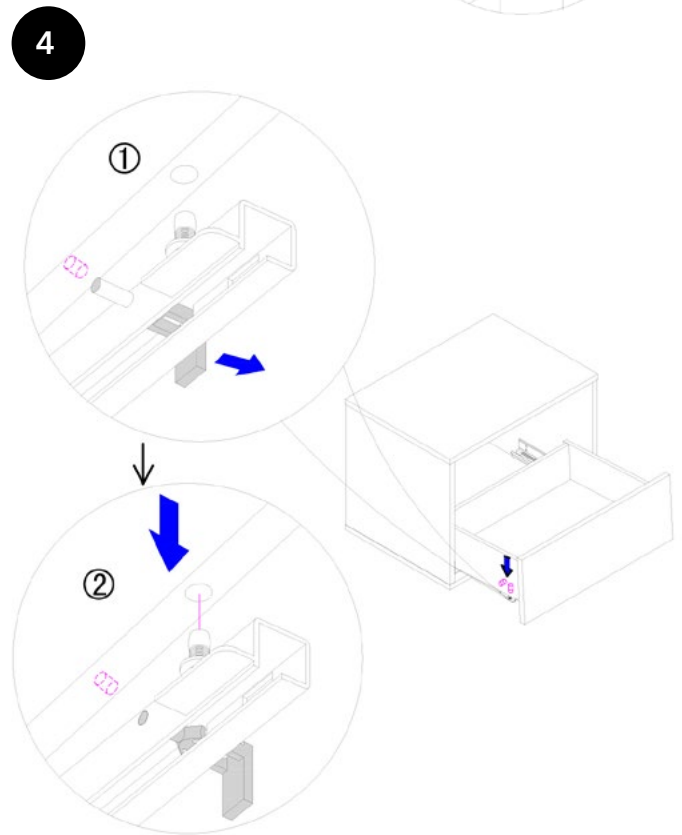
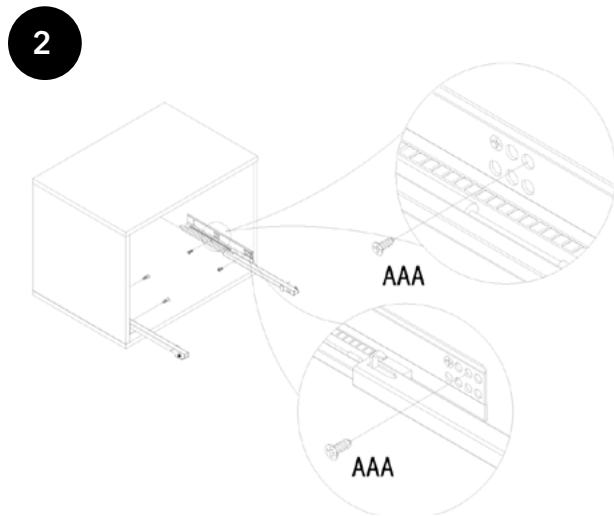
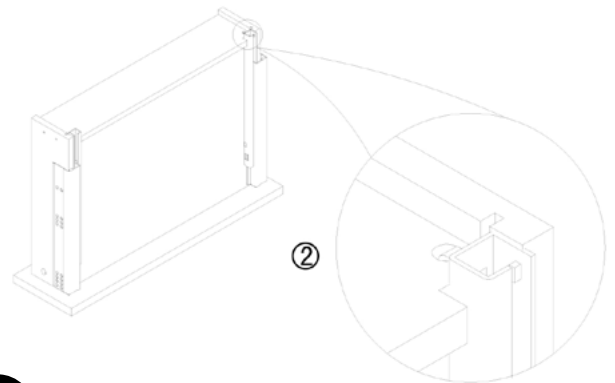
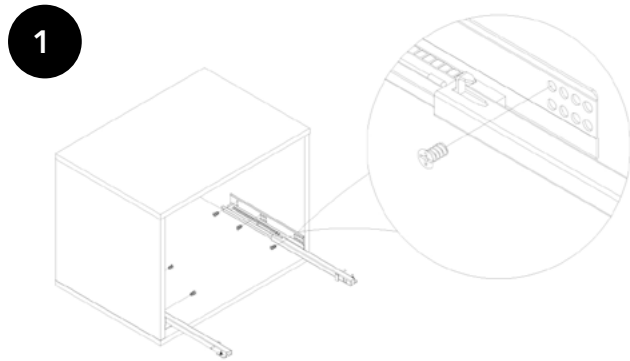


**FIG.**  
**10**



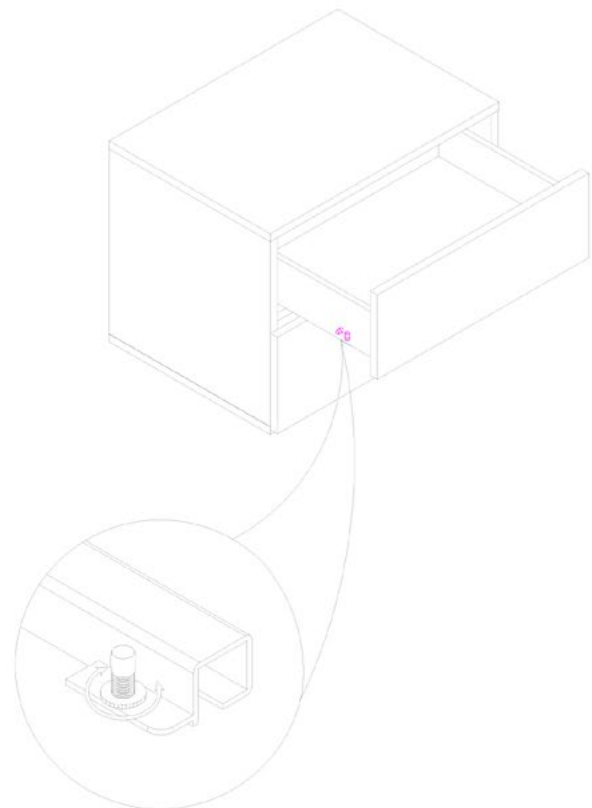
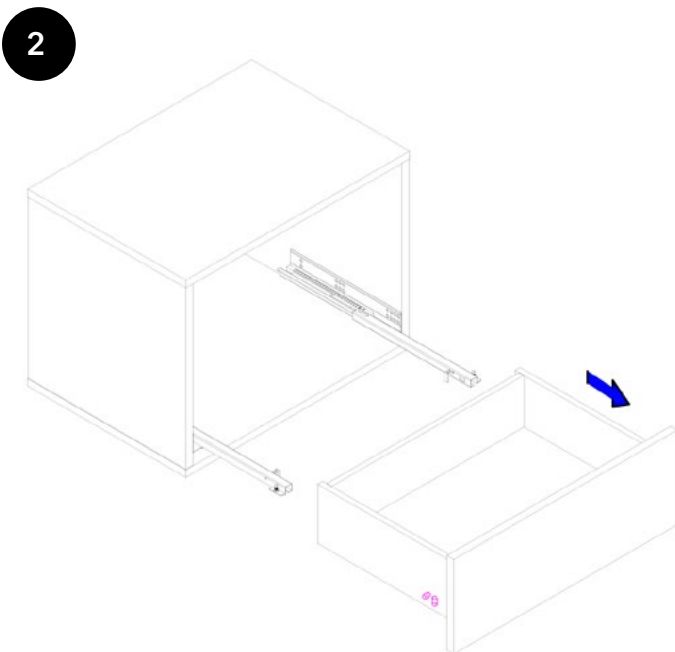
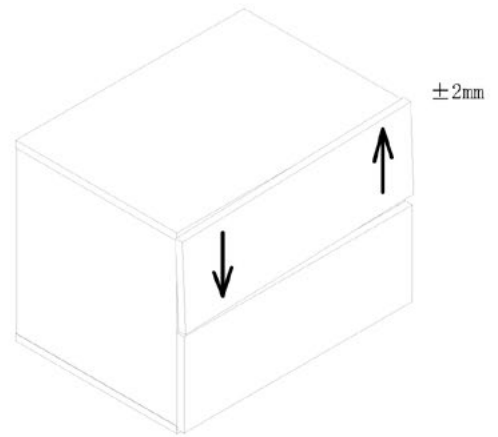
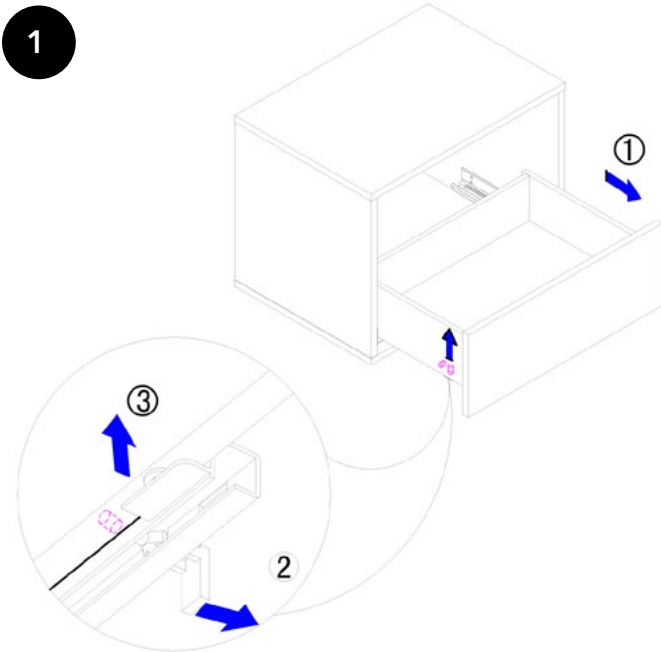
# DRAWER ASSEMBLY

CP1302-E-1096



## DRAWER RENIVAL

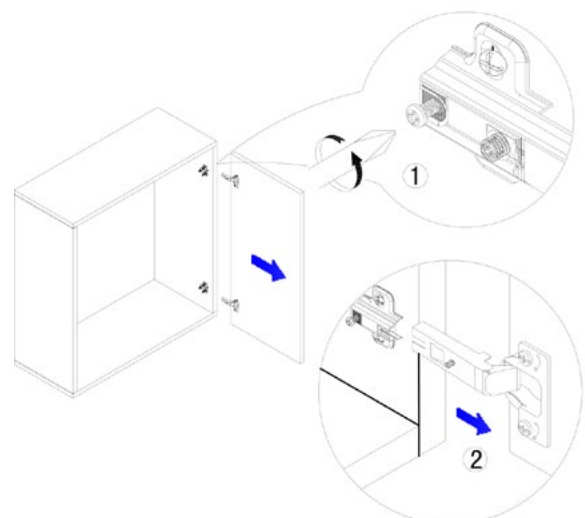
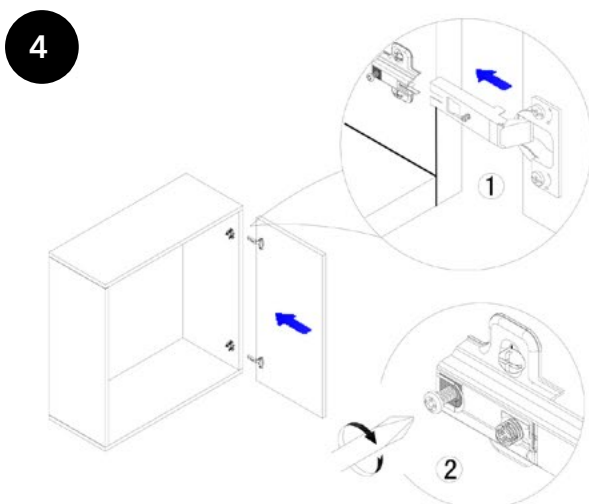
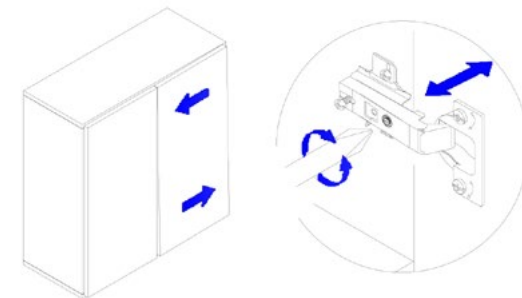
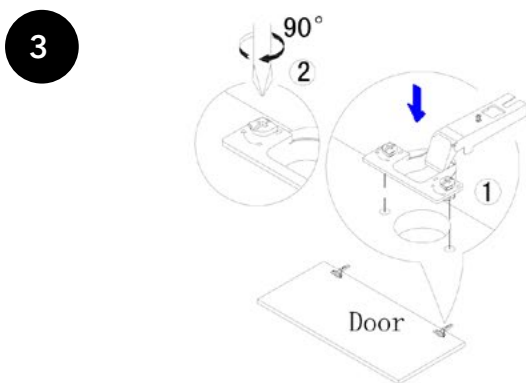
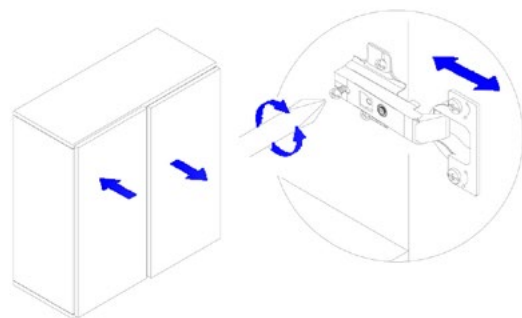
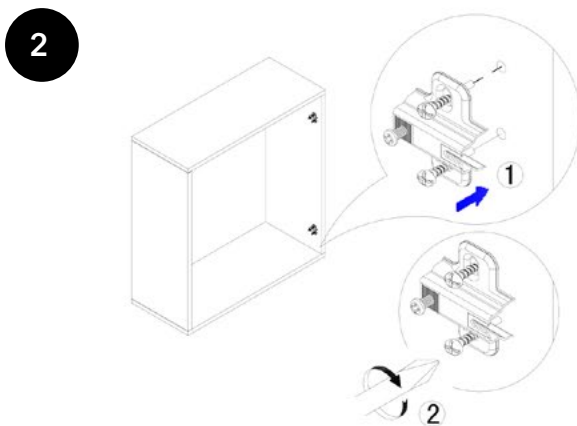
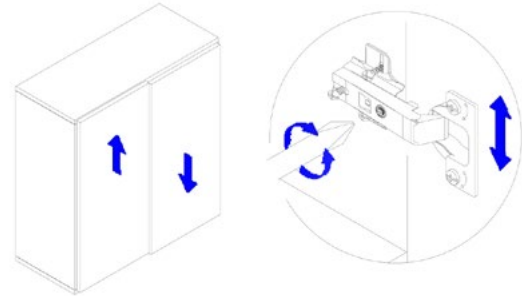
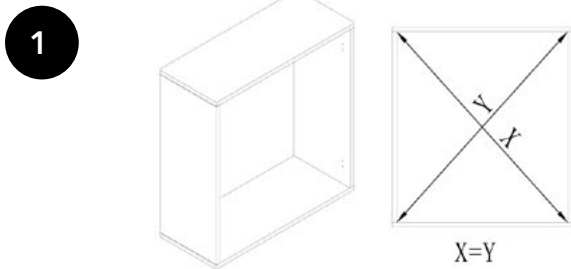
## ADJUSTABLE METHOD





### DOOR ASSEMBLY

### ADJUSTABLE METHOD



### DOOR RENIVAL