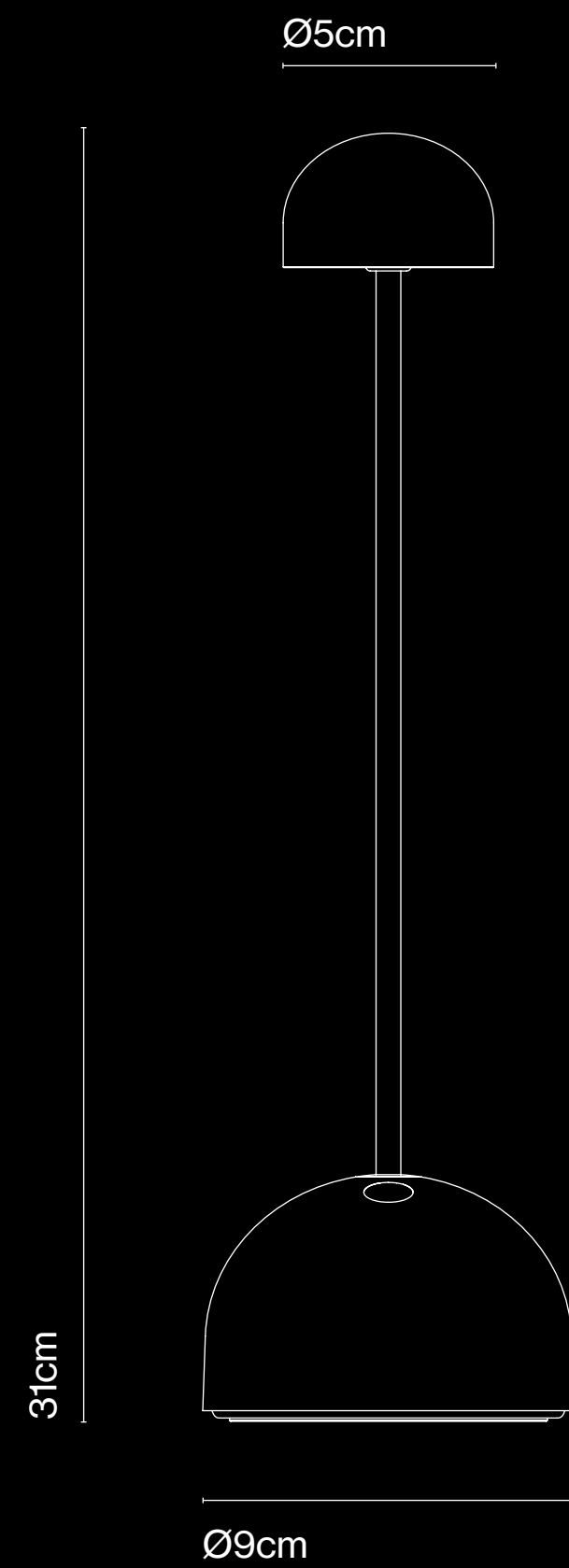

New Collection 2023

marset

Sips

Christophe Mathieu designed Sips as a portable lamp with an ingenious timeless design and clear purpose to create intimately light spaces, inside or out. This discreet design allows for easy placement and mobility and ensures good lighting in restaurants, bars, terraces and patios.





- White - Silver
- Brown - Gold
- Green - Gold

Available Q3 2023

[Discover more](#)

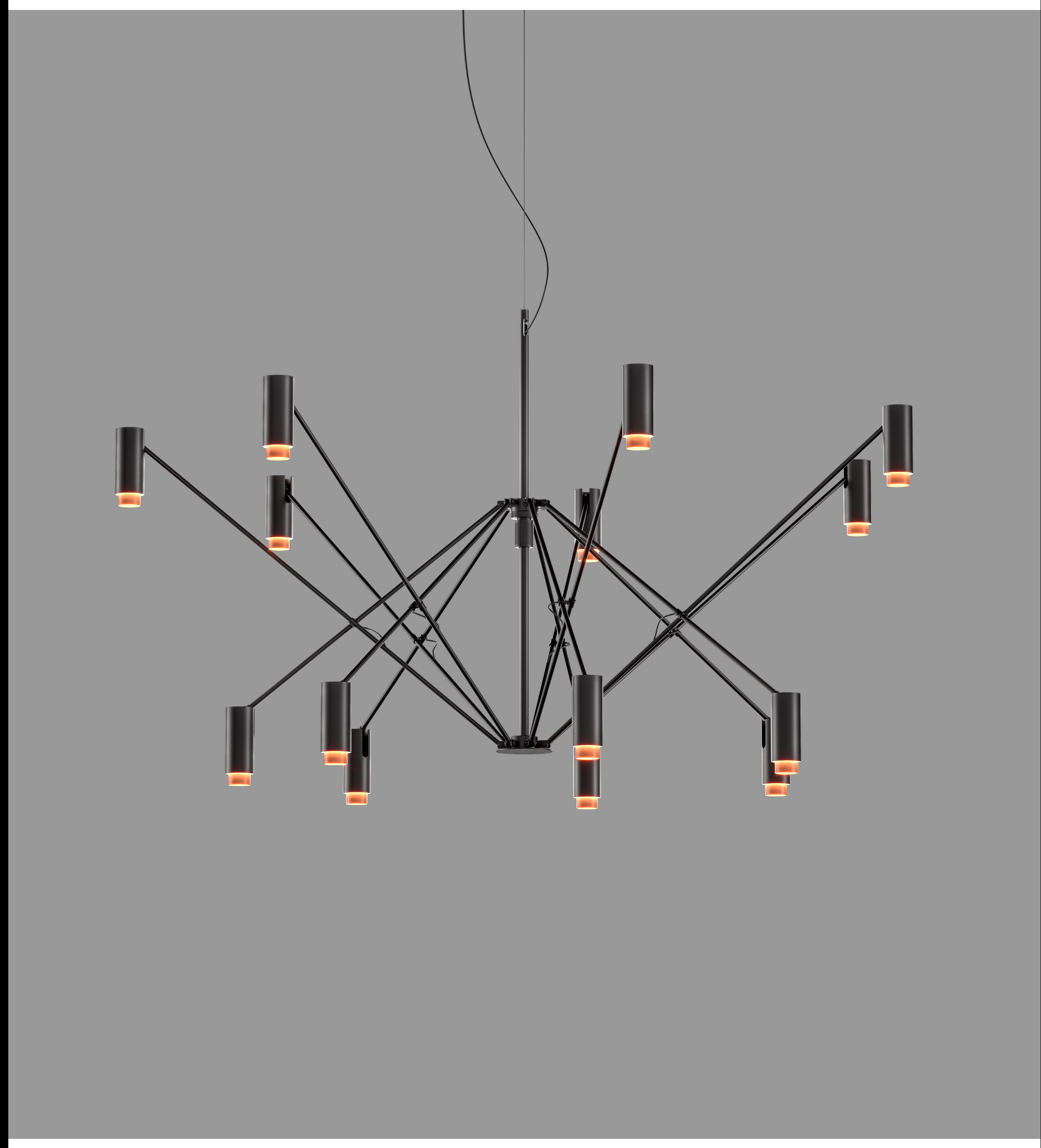
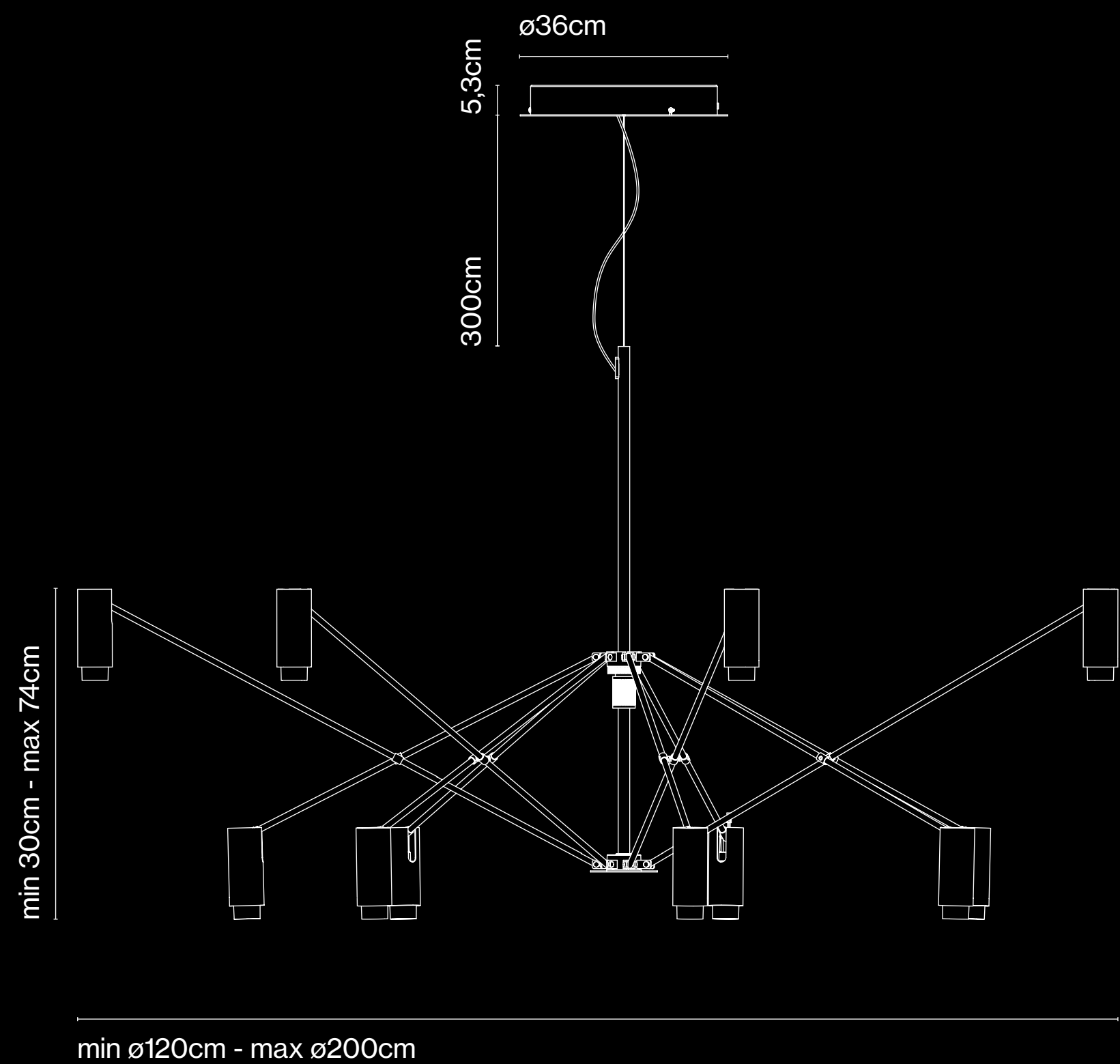


The W

Unfold the light or pick it up. The new design by the PerezOchando studio proposes a large-format, flexible lamp, designed to adapt to the different lighting needs in large spaces.

This lamp is inspired by the old winder: an instrument used to wind thread or wire around an axis and form a ball.





- Black - Gold
- Black - Ivory
- Black - Terracotta

Available

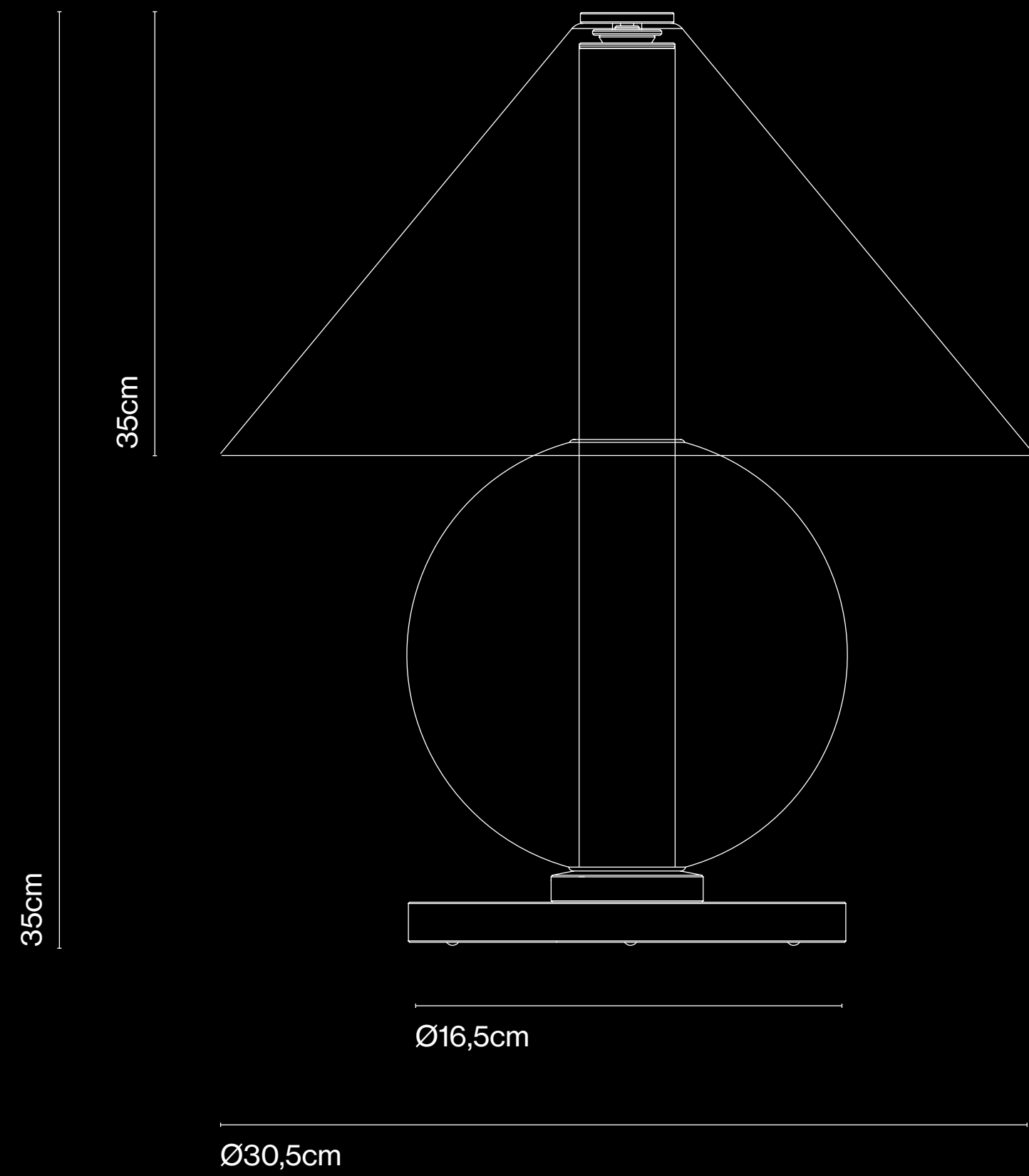
[Discover more](#)



Fragile

Fragile is a tribute to the history of table lamps and uses the language of glass to express the fragility of present moments. A blend of past and present, Jaume Ramírez was inspired to mix geometric shapes to create a cone and a sphere. A delicate form stands effortlessly, while holding a cylinder that emits ambient light and speaks of purity and lightness.





- Transparent
- Amber

Available Q3 2023

[Discover more](#)



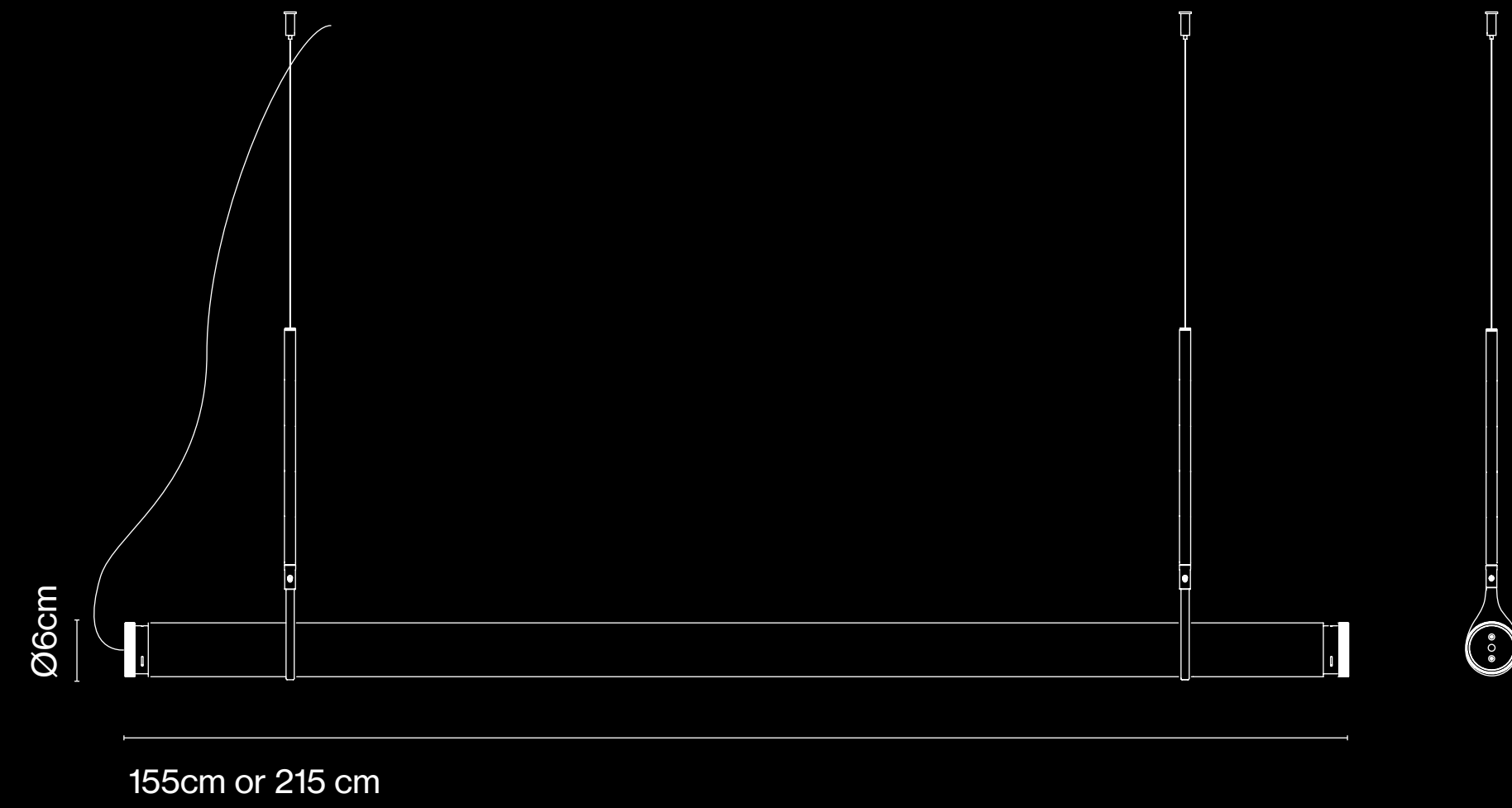


Fris

Fris is a multi-purpose lighting structure of glass tubes designed by Joan Gaspar. The glass protects the lights as the tubes can rotate and be steered in varying directions. The lamps can be added together to create an impressive sculptural composition of light.



Suspension



Wall fixture

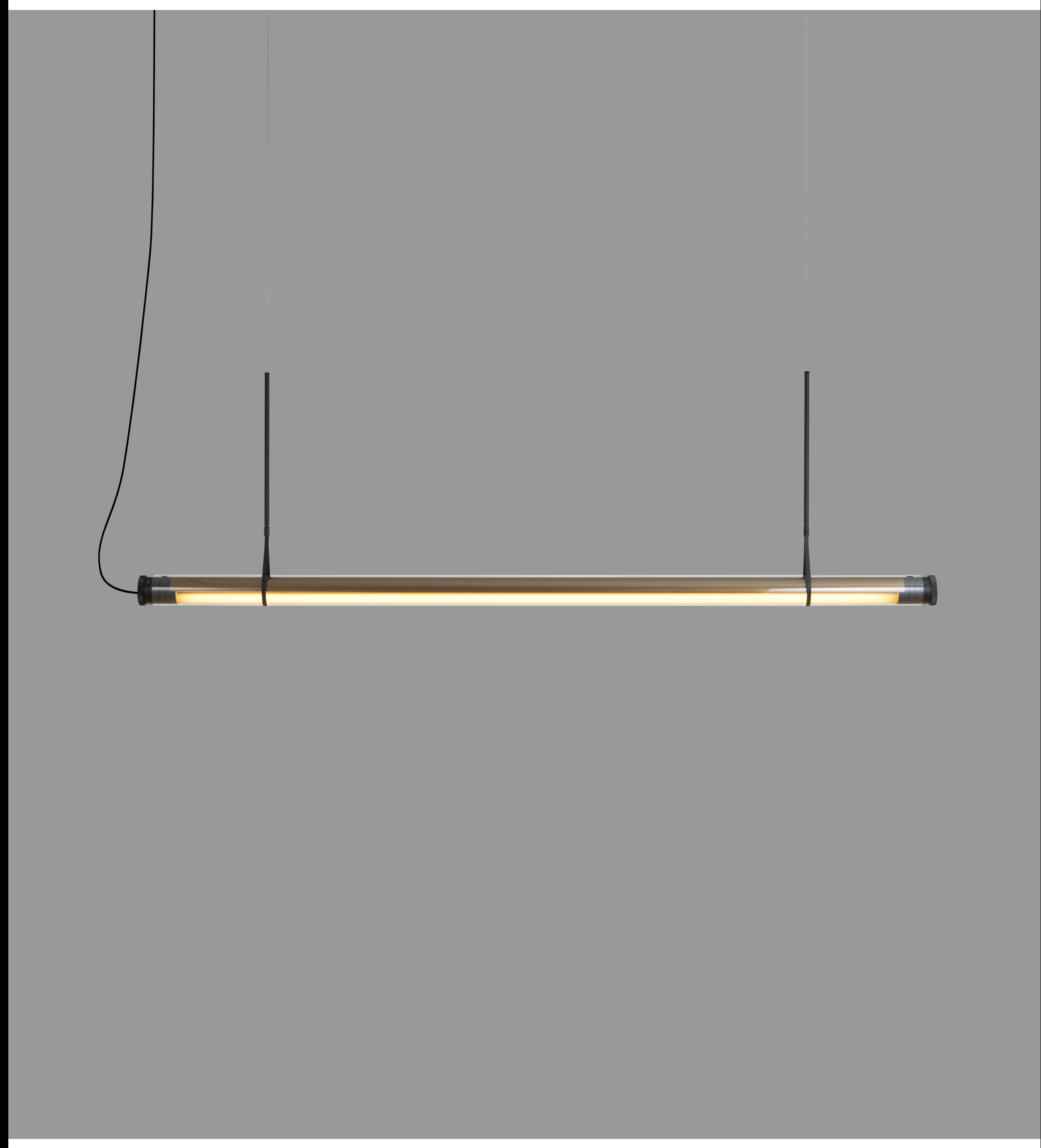


○ Black

● Bronze

Available Q3 2023

[Discover more](#)



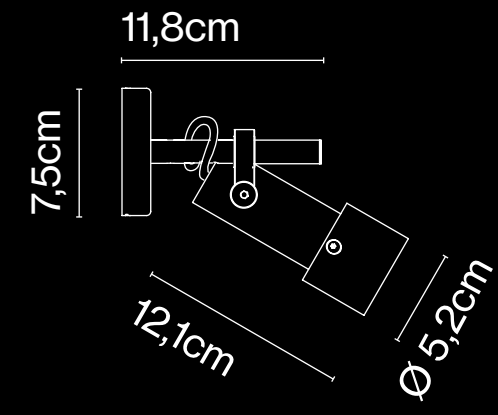


Palosanto

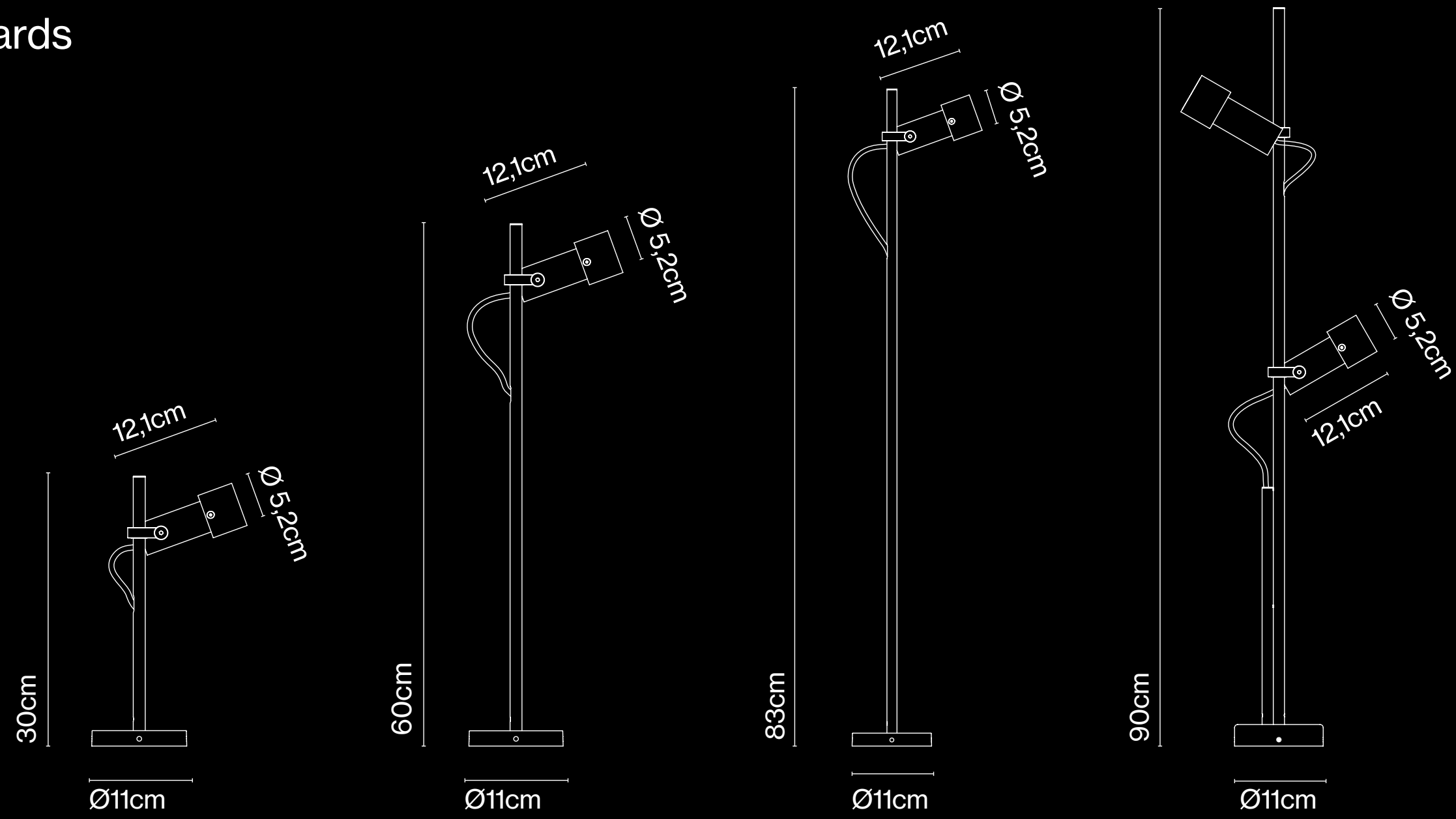
The Palosanto, by Christophe Mathieu, is a bollard that grows with the vegetation since the spotlights can be moved along the stem, and offer 360° movement. This great functionality makes it possible to illuminate the outdoors with a versatile direct light.



Wall fixture



Bollards



○ Black (RAL 9005)

● Rust Brown

Available Q3 2023

Discover more

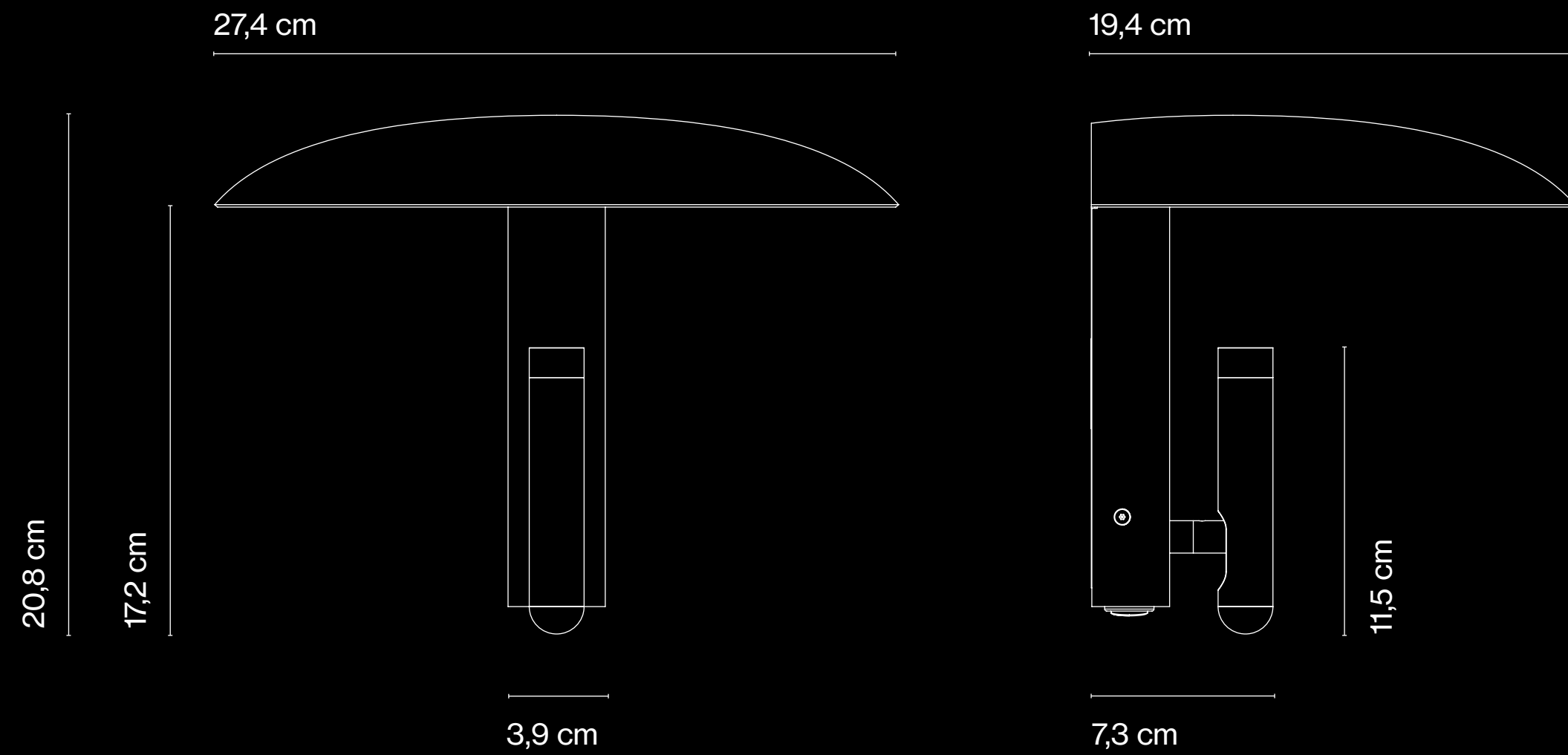




Konoha

Yabu Pushelberg Studio designed a discreet wall lamp. A hat-like shade covers a 360° directable spotlight that can be directed upwards to create soft ambient lighting or downwards to project a beam of direct light, turning the fixture into a reading lamp.





- Black (RAL 9005)
- Off-White (RAL 085 80 10)
- Terracotta (RAL 050 50 40)
- Moss Grey (RAL 7003)

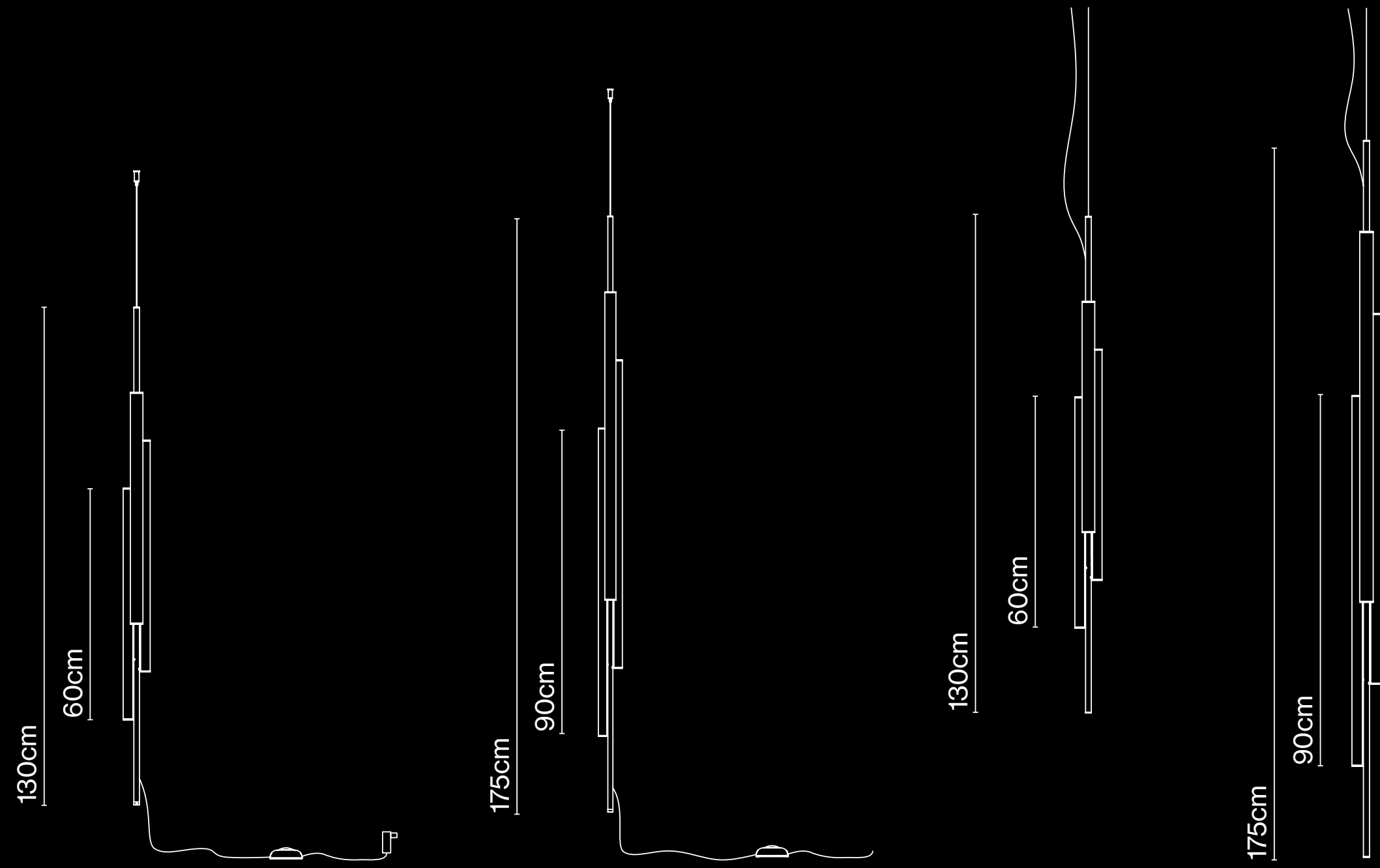
Available

[Discover more](#)

Ambrosia

Ciszak Dalmas changed the new Ambrosia V light plane from horizontal to vertical and it comes in two different versions to create vertical light compositions. When different tubes are combined, an assemblage of light illuminates large spaces. If installed individually, light structure fills the space with warmth.

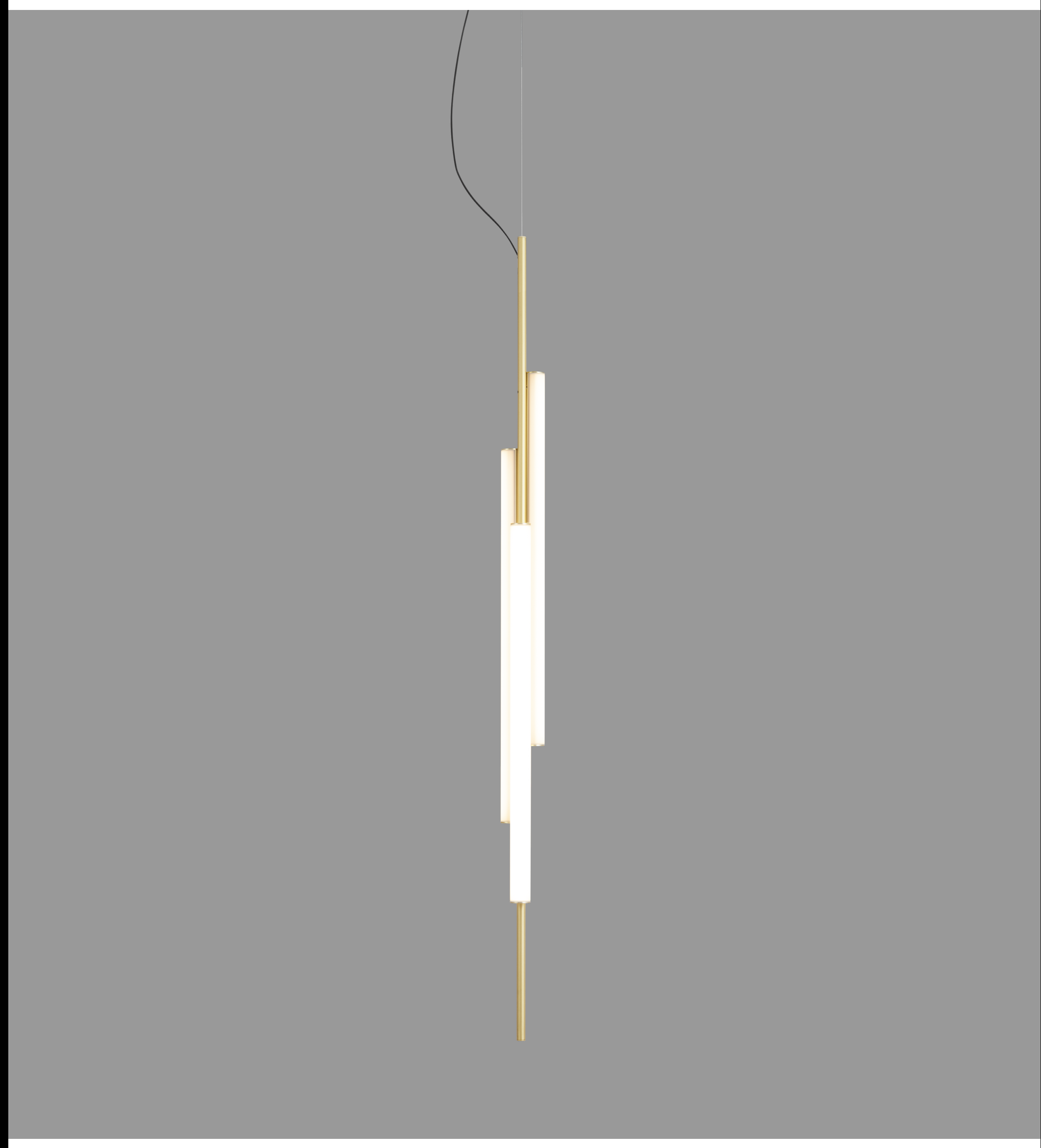


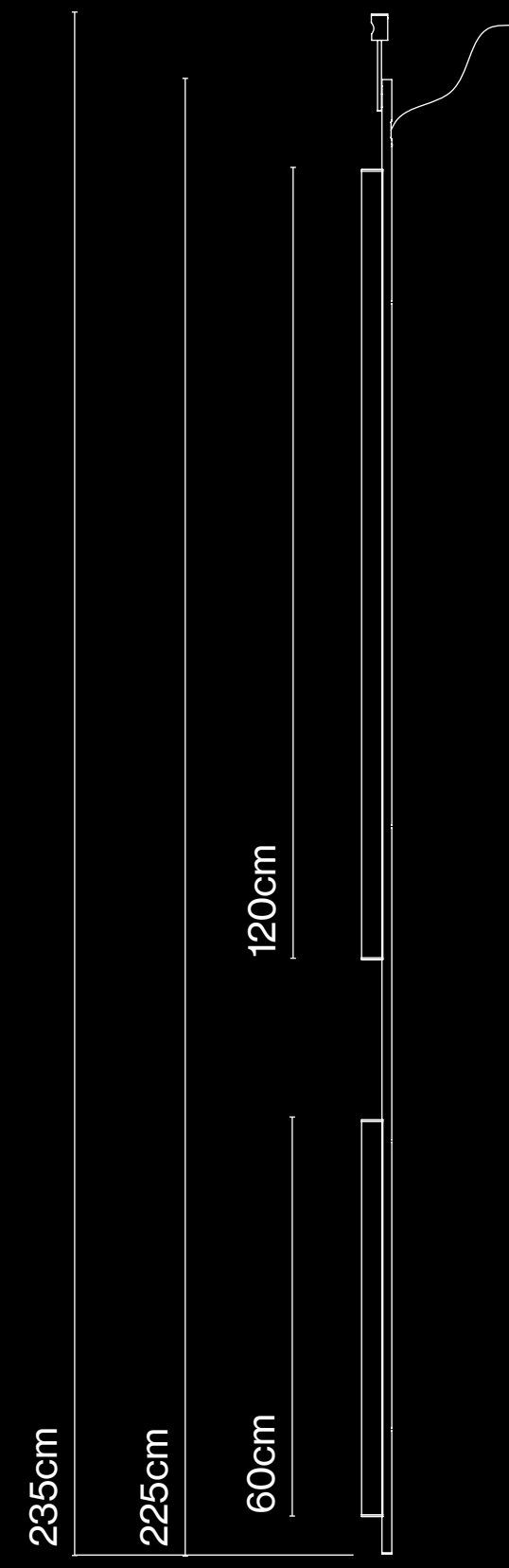
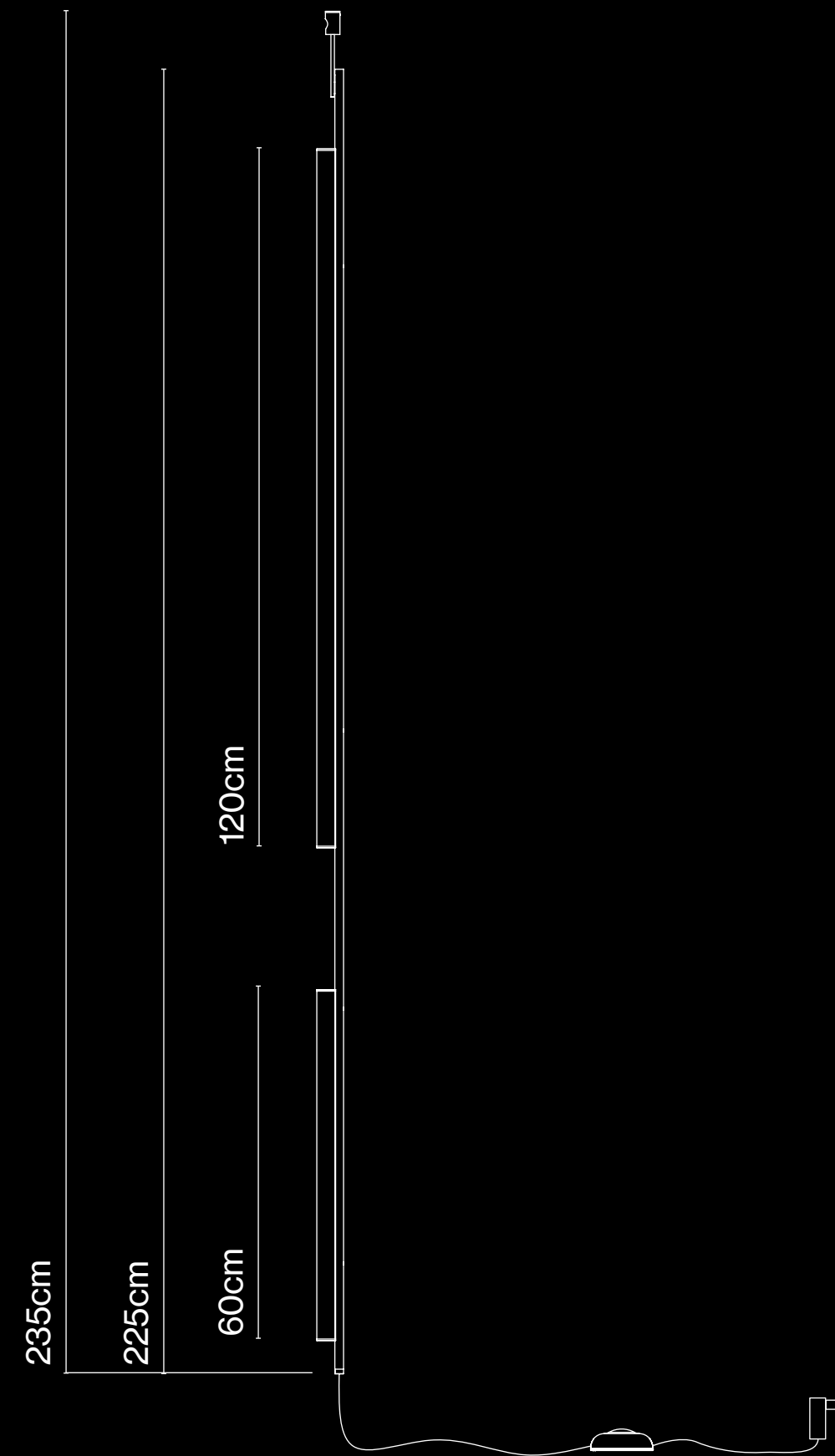


- Black
- Matt Gold

Available Q2 2023

[Discover more](#)

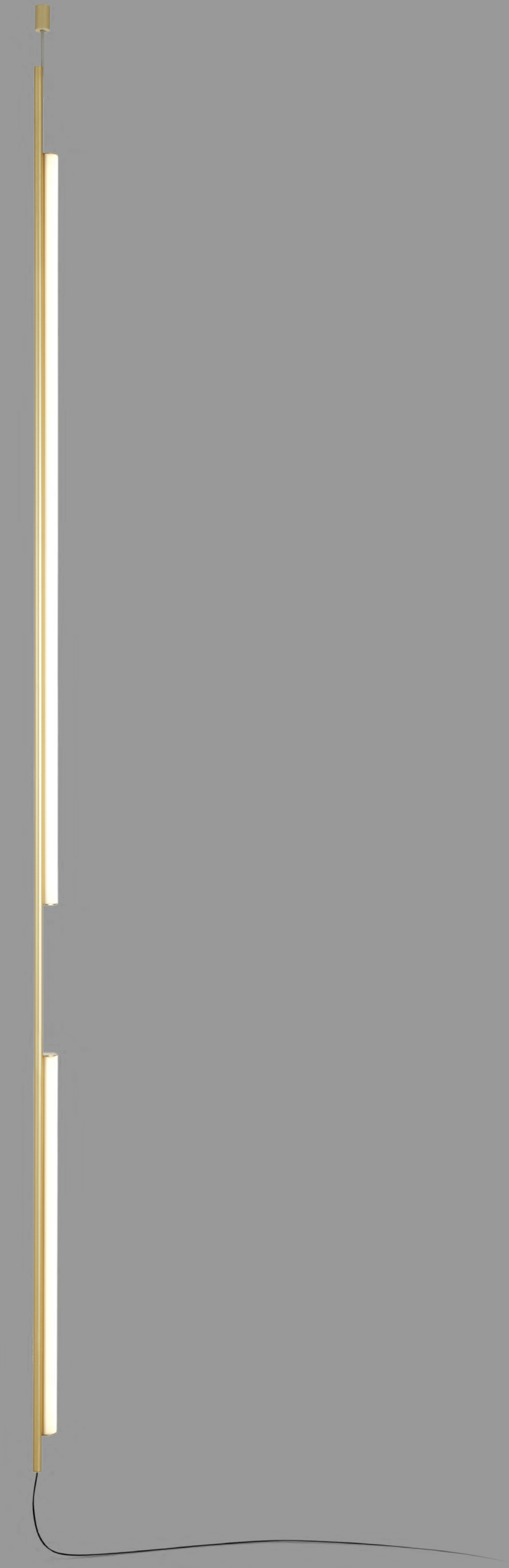




- Black
- Matt Gold

Available Q2 2023

[Discover more](#)



marset
