

VOXEL MINI CHAIR

By Karim Rashid



The Voxel Chair is the perfect conceptual architectural piece for any space. Based on the Vertex Chair, a former piece by Vondom. It presents a unique structural shape, angular and faceted, only possible due to a production by injection molding. Its weight is distributed in a balanced way due to its smartly designed shape. Its lightweight body makes it easy to transport and arrange.

The armchair is a minimal simple yet voluminous stackable chair that is faceted just in the perfect places for comfort, just in the right angles for hyper-strength, imbuing the correct creases for beauty, and just the few merging and converging lines for purity.

The sun lounger with a modern style and outdoor functionality has been born. Manufactured by injected polypropylene and reinforced with fiberglass, it's been characterized by its geometric, angled, and faceted shapes.

This sun lounger meets all hospitality needs: it's sturdy, stackable and has two wheels which makes it easier to move. It is also shaped like a skate, preventing it from sinking into the sand, so it's the ideal option for sunbathing or relaxing by the pool or by the sea. View online: <https://www.vondom.com/products/51036>

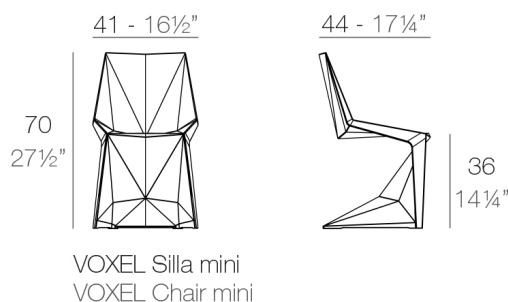
Features

Description

Made of injected polypropylene with fiber glass. Stackable. Available in several colors. Item suitable for indoor and outdoor use.

Weight

3 Kg



FINISHES

BASIC PP

Ref. 51036

Available in various colors

- ALMOND
- WHITE
- BLACK
- RED
- ECRU

LACQUERED COLOR INJECTION PP

Ref. 51036F

-

- RED 3114
- ANTHRACITE 3106
- BLACK 3102
- WHITE 3101

