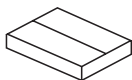




Kave® Cares



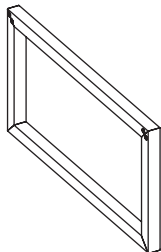
10 min



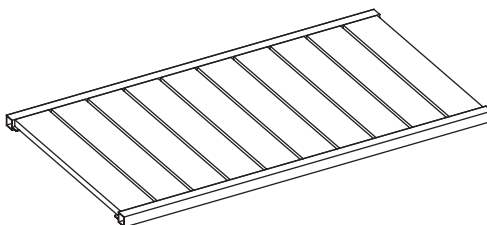
x1



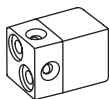
x1



A x2



B x1



C x4



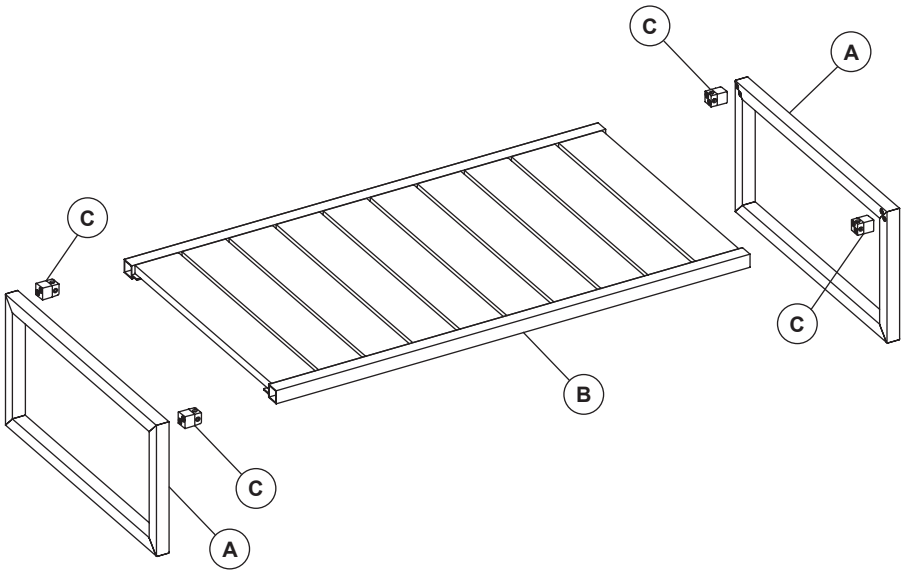
D x4
M6x35mm



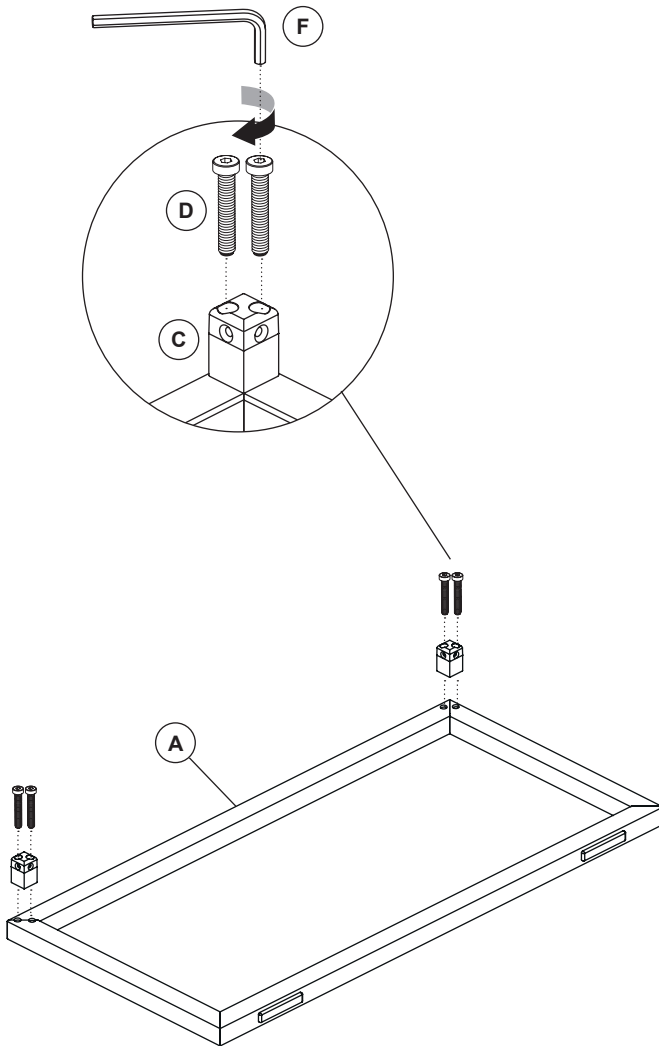
E x4
M6x20mm



F x1
4mm



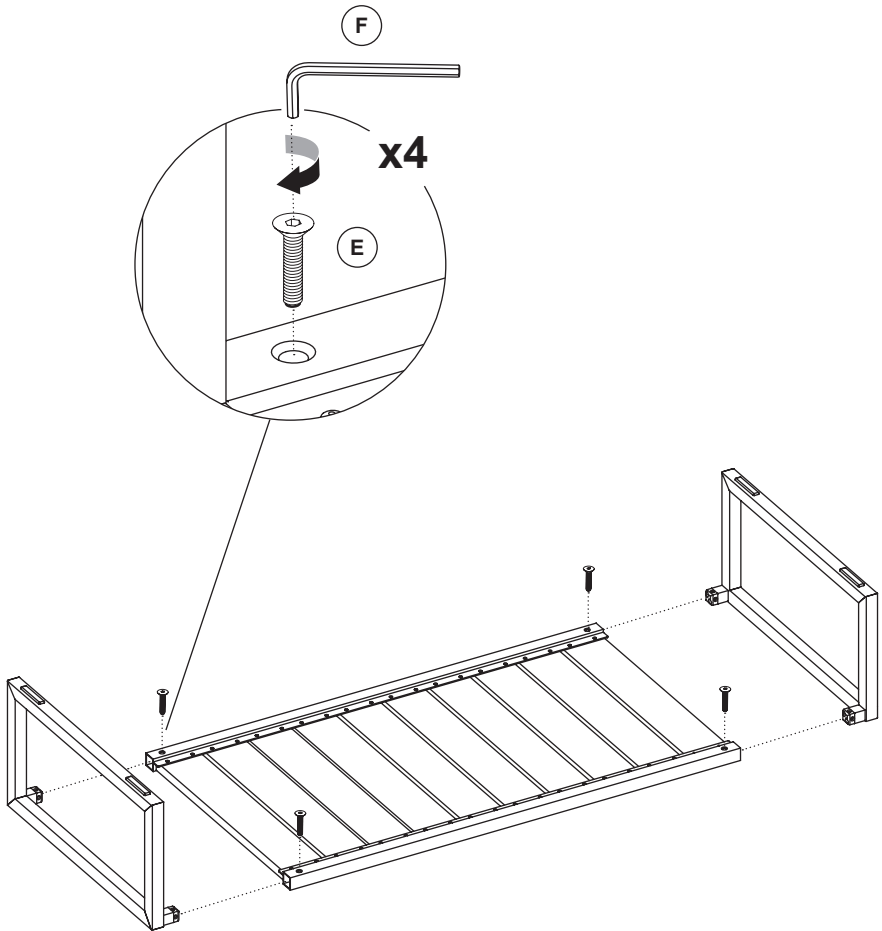
1



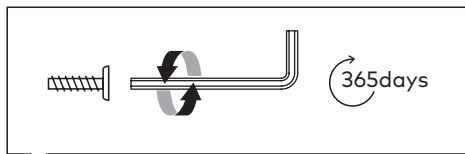
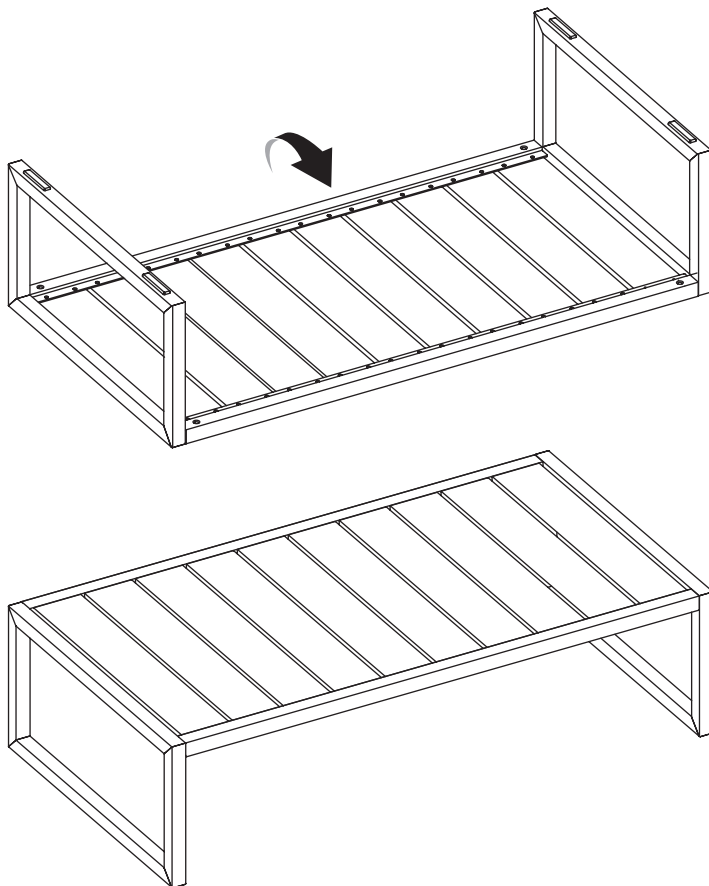
x2



2



3





THAT'S ALL FOLKS

Share your style!

#KaveHome

