
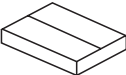

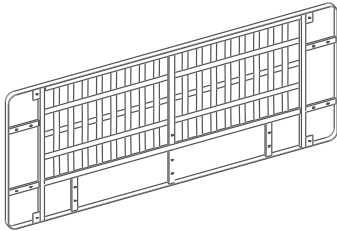


Kave® Cares

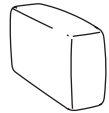
 20 min	 x3	 x2
---	---	---



A x1



B x1



C x2



D x2



E x2



F x4



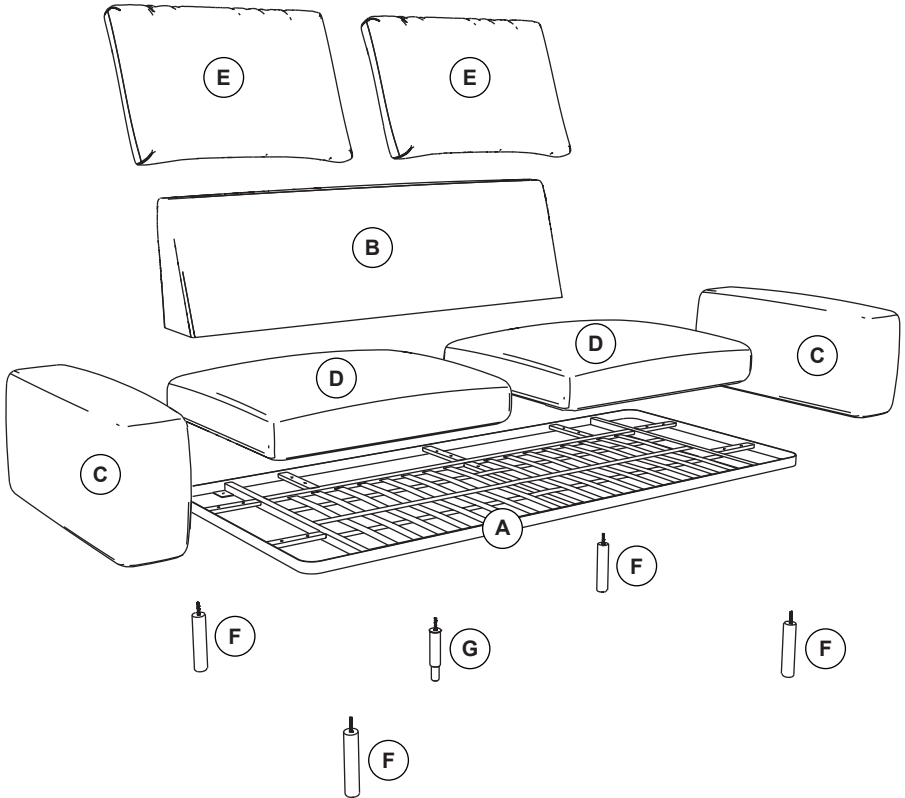
G x1



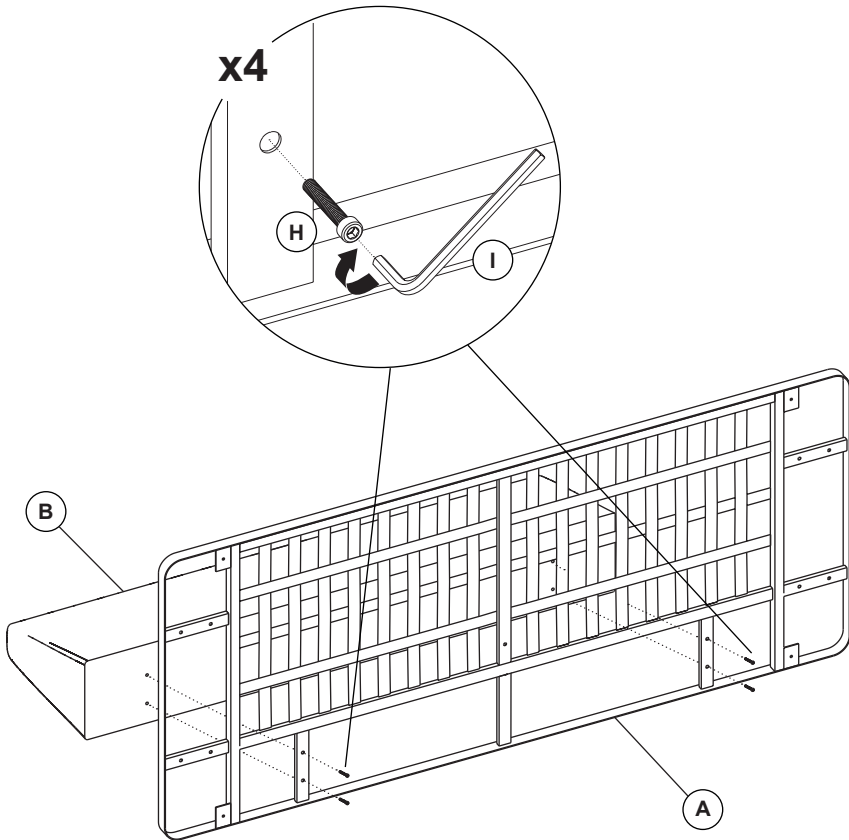
H x12
M6x35mm



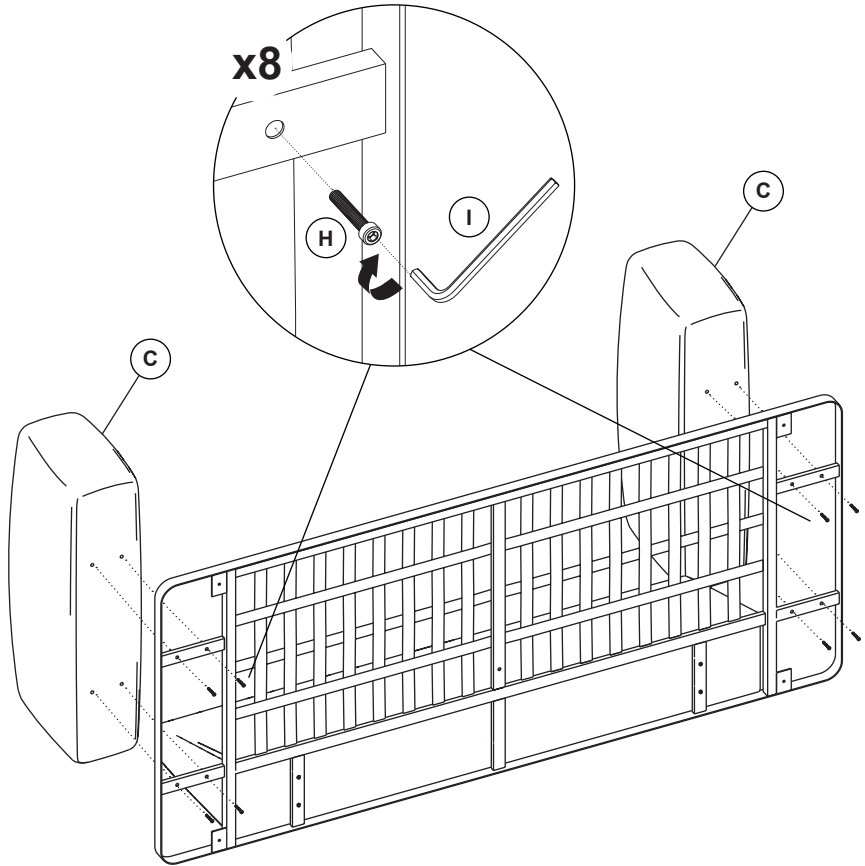
I x1
5mm



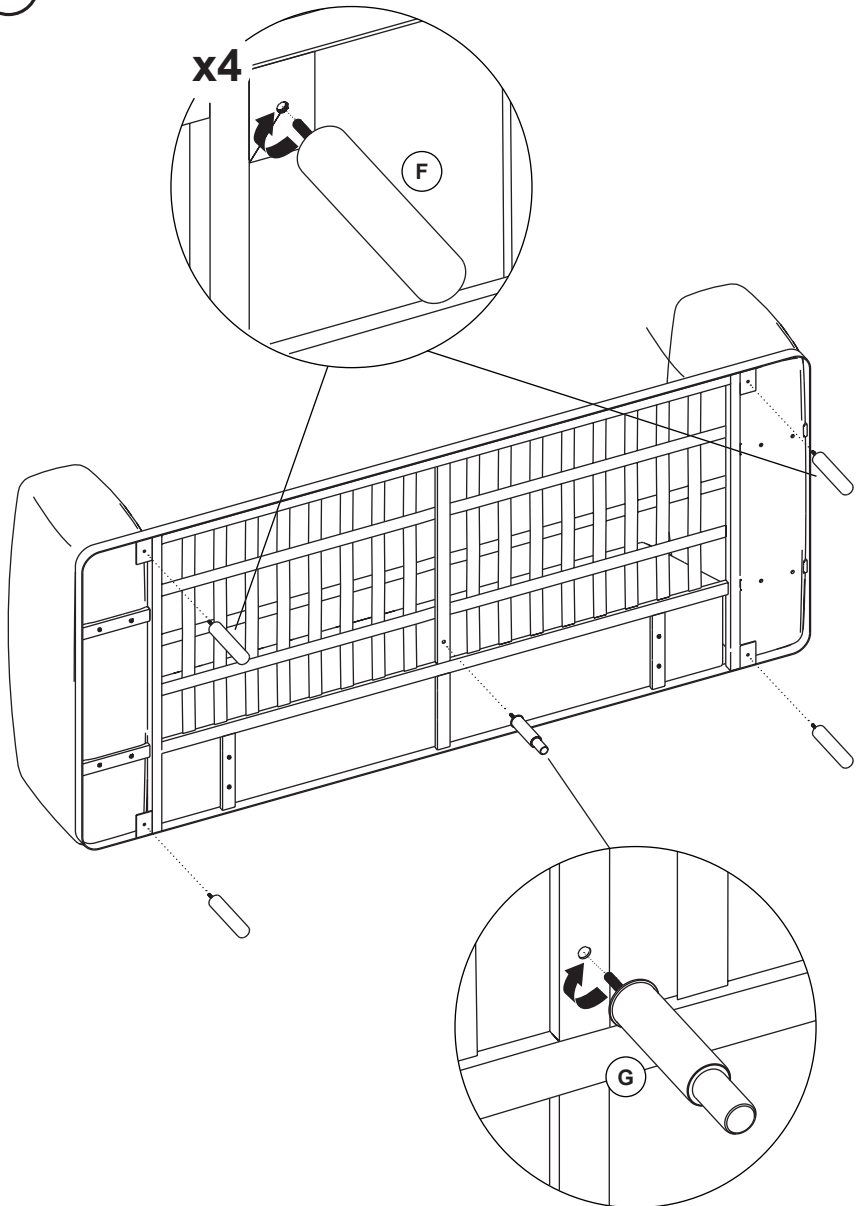
1



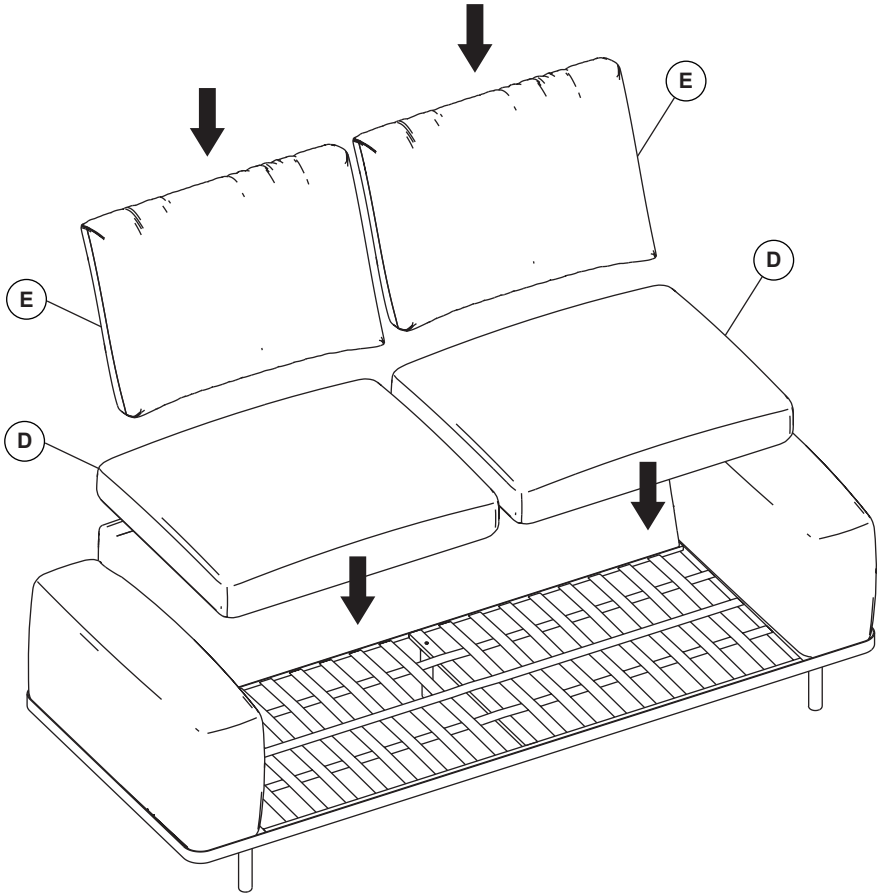
2



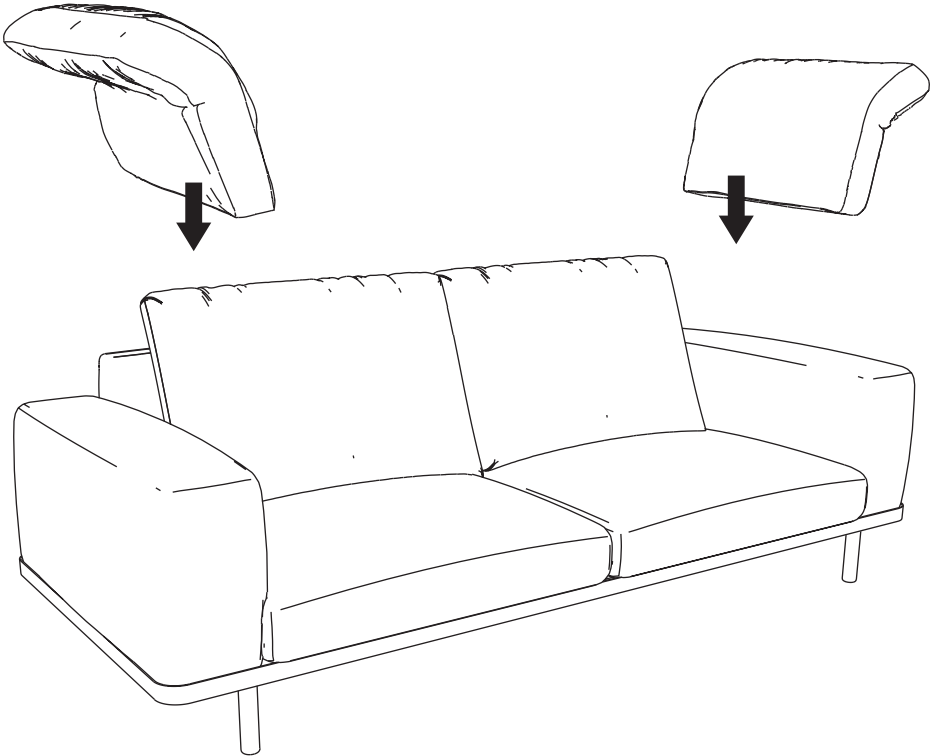
3

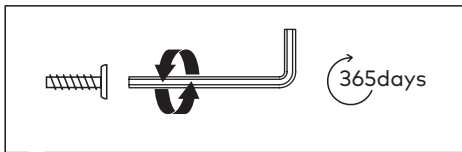
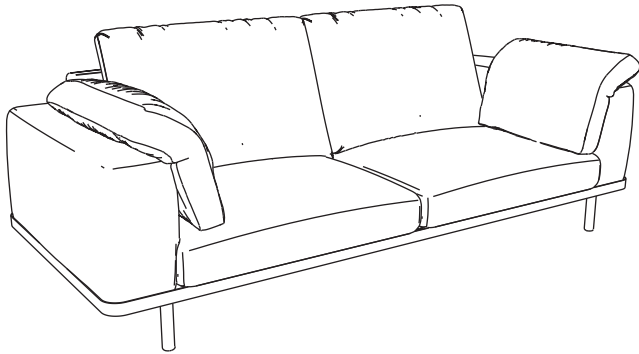
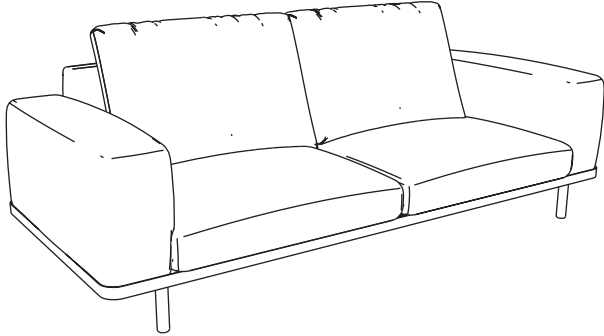


4



5







THAT'S ALL FOLKS!

Share your style!

#KaveHome

