



Designed to inhabit executive offices and meeting spaces, BINAR EXECUTIVE armchairs are a harmonious combination of elegance, timeless modernity, and ergonomics. The collection stands out for its excellent comfort, enveloping shapes, and exclusive upholstery. The armchairs are available with two backrest heights and can be upholstered in all the leathers and selected fabrics from the INCLASS collection.

**ECOLOGY**

Environmental product data sheet [+info](#)

ISO 14001 certificate [+info](#)

INCLASS production processes are certified according to environmental standards ISO 14001 in order to minimise any impact on the environment.

 Products marked with a green dot have achieved GREENGUARD Gold Certification. GREENGUARD Gold Certificate [+info](#)

**QUALITY STANDARDS**

ISO 9001 certificate [+info](#)

The quality management system of INCLASS is certified in accordance with ISO 9001 in all the design, manufacturing and sales procedures of its products.

UNE-EN 1335-2:2019 - Office furniture. Office work chair. Part 2: Safety requirements.

*INCLASS products have been extensively tested to exceed industry testing standards at AIDIMME.*

*AIDIMME is member of the European network INNOVAWOOD and its testing laboratories are accredited by ENAC.*

**WARRANTY**

5 years

**FINISHES**

Finishes book [+info](#)

**Upholstery:** All fabrics and leathers indicated in our finishes book.

**Aluminum bases**

W01



B00



Polished

**Armchair with medium back (4 spoke aluminum swivel base)**

Code: **BIN0220**



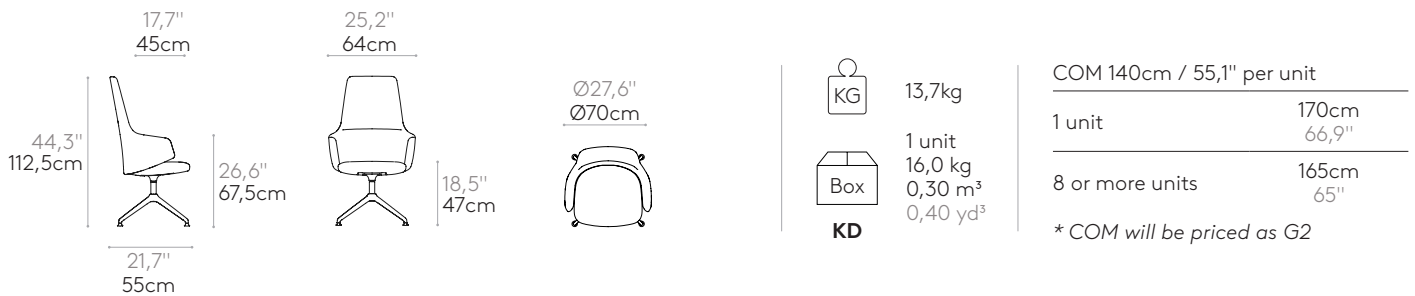
Upholstered armchair with medium backrest and 4 spoke swivel base made of cast aluminum alloy. The seat height is not adjustable.

**Upholstery:** in all the fabrics and leathers indicated in our finishes book.

**Base finishes:** polished or micro-textured powder coated in black or white.

**Glides:** plastic glides as standard. Felt glides are available with an upcharge.

Product with GREENGUARD Gold Certificate.



**Armchair with high back (4 spoke aluminum swivel base)**

Code: **BIN0320**



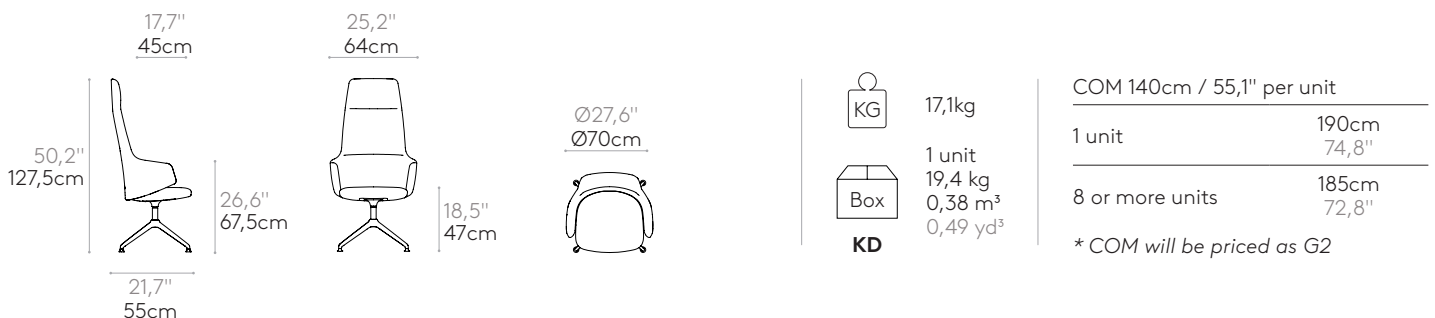
Upholstered armchair with high backrest and 4 spoke swivel base made of cast aluminum alloy. The seat height is not adjustable.

**Upholstery:** in all the fabrics and leathers indicated in our finishes book.

**Base finishes:** polished or micro-textured powder coated in black or white.

**Glides:** plastic glides as standard. Felt glides are available with an upcharge.

Product with GREENGUARD Gold Certificate.



**Armchair with medium back (5 spoke aluminum swivel base on casters + gas lift)**

Code: **BIN0210**



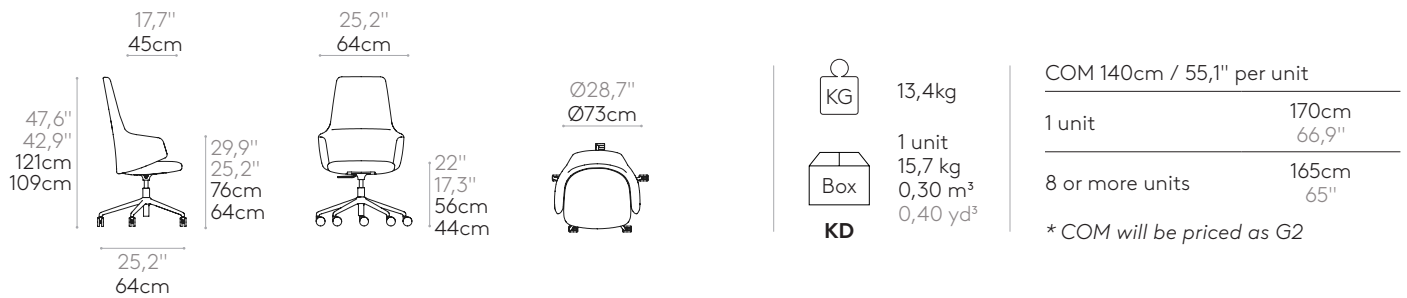
Upholstered armchair with medium backrest and 5 spoke cast aluminum alloy base fitted with gas lift column and Ø65mm twin wheel casters with soft tread. The seat height is adjustable with gas lift column.

**Upholstery:** in all the fabrics and leathers indicated in our finishes book.

**Base finishes:** polished or micro-textured powder coated in black or white.

**Casters:** Ø65mm twin wheel casters with soft tread as standard. Casters with hard tread are available.

Product with GREENGUARD Gold Certificate.



**Armchair with high back (5 spoke aluminum swivel base on casters + gas lift)**

Code: **BIN0310**



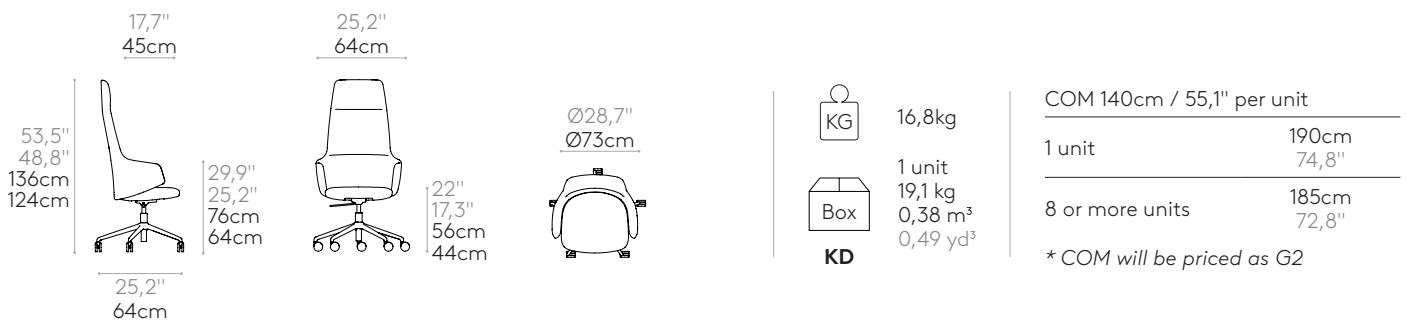
Upholstered armchair with high backrest and 5 spoke cast aluminum alloy base fitted with gas lift column and Ø65mm twin wheel casters with soft tread. The seat height is adjustable with gas lift column.

**Upholstery:** in all the fabrics and leathers indicated in our finishes book.

**Base finishes:** polished or micro-textured powder coated in black or white.

**Casters:** Ø65mm twin wheel casters with soft tread as standard. Casters with hard tread are available.

Product with GREENGUARD Gold Certificate.



**Armchair with medium back  
(5 spoke aluminum swivel base on casters + gas lift + tilt mechanism)**

Code: **BIN0215**



Upholstered armchair with medium backrest and 5 spokecast aluminum alloy base fitted with gas lift column, tilt mechanism and Ø65mm twin wheel casters with soft tread. The seat height is adjustable with gas lift column.

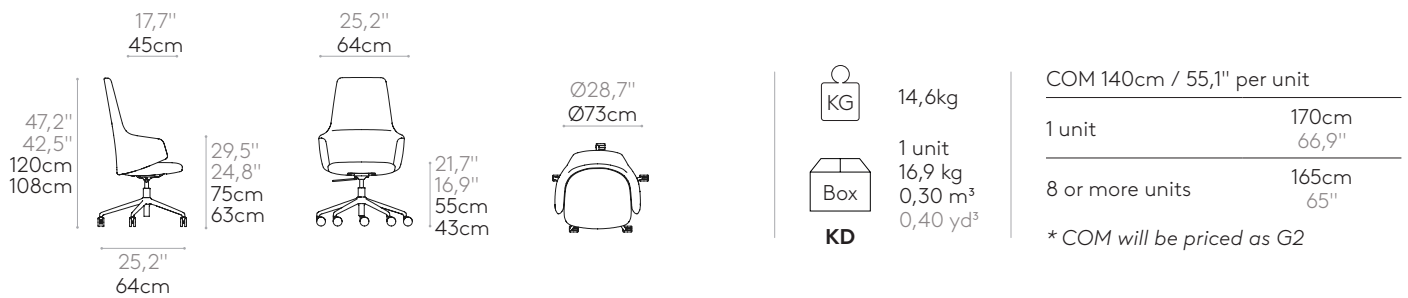
**Movement:** 12° inclination mechanism with tilt lock in working position and safety release. Adjustable seat height.

**Upholstery:** in all the fabrics and leathers indicated in our finishes book.

**Base finishes:** polished or micro-textured powder coated in black or white.

**Casters:** Ø65mm twin wheel casters with soft tread as standard. Casters with hard tread are available.

 Product with GREENGUARD Gold Certificate.



**Armchair with high back  
(5 spoke aluminum swivel base on casters + gas lift + tilt mechanism)**

Code: **BIN0315**



Upholstered armchair with high backrest and 5 spokecast aluminum alloy base fitted with gas lift column, tilt mechanism and Ø65mm twin wheel casters with soft tread. The seat height is adjustable with gas lift column.

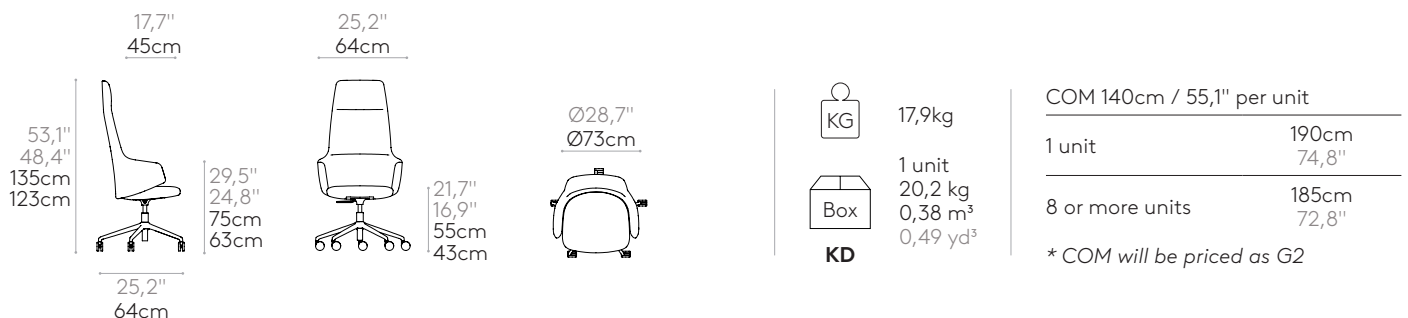
**Movement:** 12° inclination mechanism with tilt lock in working position and safety release. Adjustable seat height.

**Upholstery:** in all the fabrics and leathers indicated in our finishes book.

**Base finishes:** polished or micro-textured powder coated in black or white.

**Casters:** Ø65mm twin wheel casters with soft tread as standard. Casters with hard tread are available.

 Product with GREENGUARD Gold Certificate.



**Armchair with medium back  
(5 spoke aluminum swivel base on casters + gas lift + synchro mechanism)**

Code: **BIN0218**



Upholstered armchair with medium backrest and 5 spoke cast aluminum alloy base fitted with gas lift column, synchronized movement and Ø65mm twin wheel casters with soft tread. The seat height is adjustable with gas lift column.

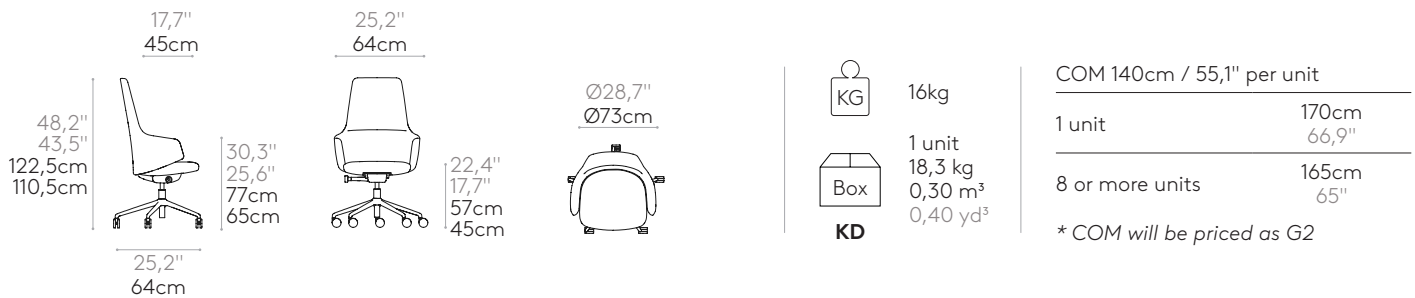
**Movement:** height adjustable seat and backrest. Synchronized tilt mechanism with five positions with safety release. Seat tilt angle up to 7° and backrest tilt angle up to 19°.

**Upholstery:** in all the fabrics and leathers indicated in our finishes book.

**Base finishes:** polished or micro-textured powder coated in black or white.

**Casters:** Ø65mm twin wheel casters with soft tread as standard. Casters with hard tread are available.

 Product with GREENGUARD Gold Certificate.



**Armchair with high back  
(5 spoke aluminum swivel base on casters + gas lift + synchro mechanism)**

Code: **BIN0318**



Upholstered armchair with high backrest and 5 spoke cast aluminum alloy base fitted with gas lift column, synchronized movement and Ø65mm twin wheel casters with soft tread. The seat height is adjustable with gas lift column.

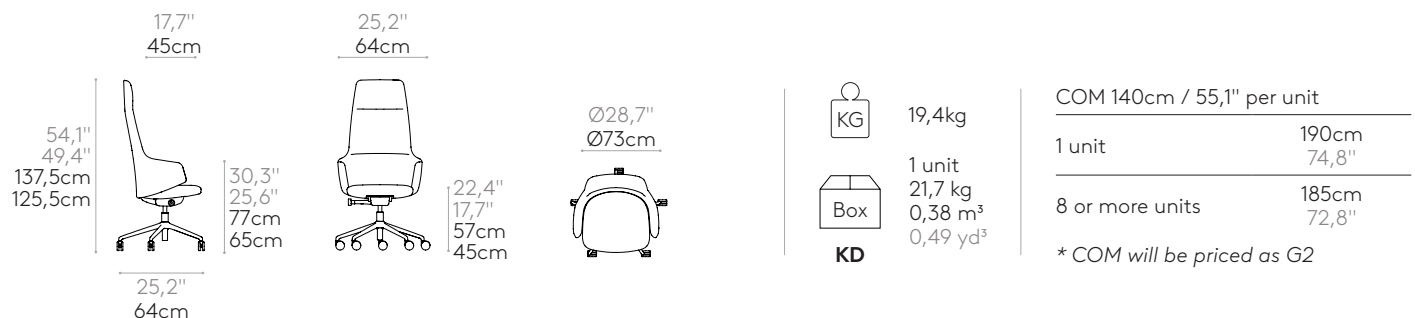
**Movement:** height adjustable seat and backrest. Synchronized tilt mechanism with five positions with safety release. Seat tilt angle up to 7° and backrest tilt angle up to 19°.

**Upholstery:** in all the fabrics and leathers indicated in our finishes book.





**Base finishes:** polished or micro-textured powder coated in black or white.

**Casters:** Ø65mm twin wheel casters with soft tread as standard. Casters with hard tread are available.

 Product with GREENGUARD Gold Certificate.



## OPTIONAL ITEMS &amp; ACCESSORIES

|  | Code      | Description  |
|--|-----------|--|
|  | BIN0660TC | Set of 4 felt glides for 4 spoke aluminum swivel base (upcharge) |
|  | BIN0640   | Set of 5 twin wheel swivel casters Ø65mm with hard tread         |
|  | BIN0650   | Self-return swivel column for 4 spoke aluminum base (upcharge)   |
|  | BIN0630BA | 5 spoke polyamide base (discount)                                |