

CHARLOTTE • TABLES

REF. CHARLOTTE.BAR

WEIGHT

Net Weight: 30kg | 66.1 lbs
 Gross Weight: 45kg | 99.2 lbs

MATERIALS

Body: Brass
 Top: Marble | Wood

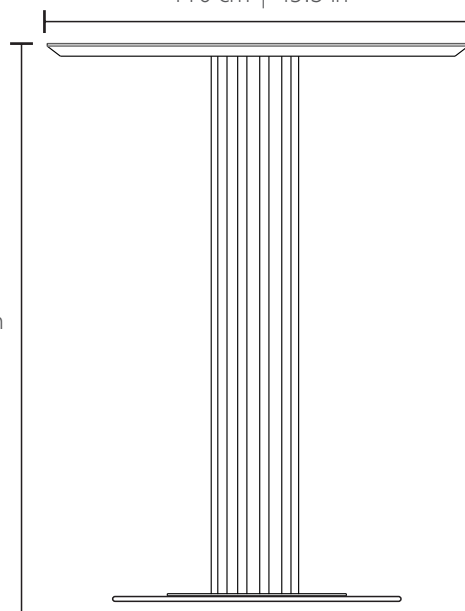
PACKING (approx.)

Dimensions: 77 x 58 x 125 cm
 30.3 x 22.8 x 49.2 in

Volume: 0.56 m³ | 19.71 ft³

HEIGHT
 70 cm | 27.5 in

DIAMETER
 110 cm | 43.5 in



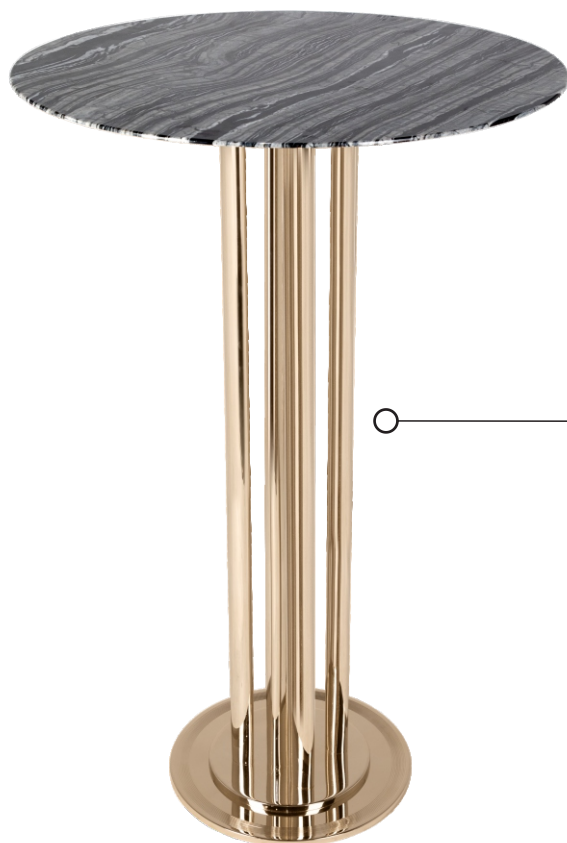
☐ - Products manufactured according the European norm of security EN 60 598-1.

▽ - Products adjusted for instalation in surfaces normally inflammable.

☐ - Products of class II. The electric isolation is double or reinforced.

⚡ - Products with the possibility of instalation of low-energy consumption bulbs.


PRODUCT FINISHES & COSTUMIZATION OPTIONS



Kenya Black

○ ——— ● TOP: 

Gold (24 Carat)

○ ——— ● BODY: 

MORE FINISHES AVAILABLE HERE:
[CLICK HERE](#) 