

# SMILE

A-3350 / A-3351 / A-3352

## wall lamp

Date	Type
Project	
Location	
Model #	Quantity
Specifier	

### Description

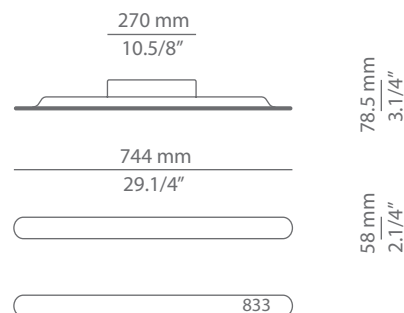
Linear metallic wall lamp providing direct and indirect light.  
 Translucent acrylic top and bottom diffuser.  
 Front metal plate.



Pictures above might not show the specified dimensions or material. They are for illustration purposes only.

### Ordering information

Product Code	Lamp	Finish	Optional
<input type="checkbox"/> A-3350	<input type="checkbox"/> Electronic Fluorescent / 24W / T5 <span style="color: green;">▶ A</span> 230V (not included) Non Dimmable	<input type="checkbox"/> 22 CH Chrome <input type="checkbox"/> 74 WH White <input type="checkbox"/> 44 CP Copper <input type="checkbox"/> CUSTOM	<input type="checkbox"/> Laser cut signage (minimum order 25 units required)



# SMILE

A-3350 / A-3351 / A-3352

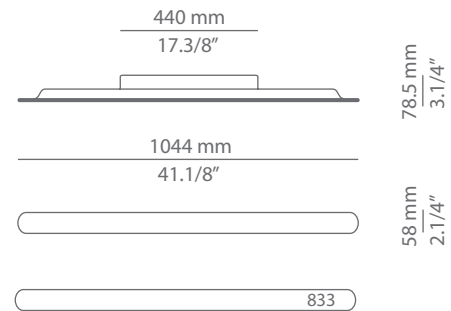
wall lamp

Date	Type
Project	
Location	
Model #	Quantity
Specifier	

## Ordering information

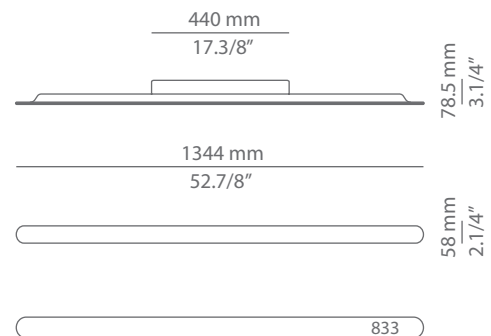
Product Code	Lamp
■ A-3351	■ Electronic Fluorescent / 39W / T5 <span style="color: green;">▶ A</span> Universal Voltage (not included) Non Dimmable

Finish	Optional
■ 22 CH Chrome	■ Laser cut signage
■ 74 WH White	(minimum order
■ 44 CP Copper	25 units required)
■ CUSTOM	



Product Code	Lamp
■ A-3352	■ Electronic Fluorescent / 54W / T5 <span style="color: green;">▶ A</span> Universal Voltage (not included) Non Dimmable

Finish	Optional
■ 22 CH Chrome	■ Laser cut signage
■ 74 WH White	(minimum order
■ 44 CP Copper	25 units required)
■ CUSTOM	



## SPECIAL REQUIREMENTS

### Custom finishes and versions

We offer custom plated or RAL finishes and shades.

Alternate lamping and sizes available for projects. Consult our offices.

### Special instructions

---



---



---