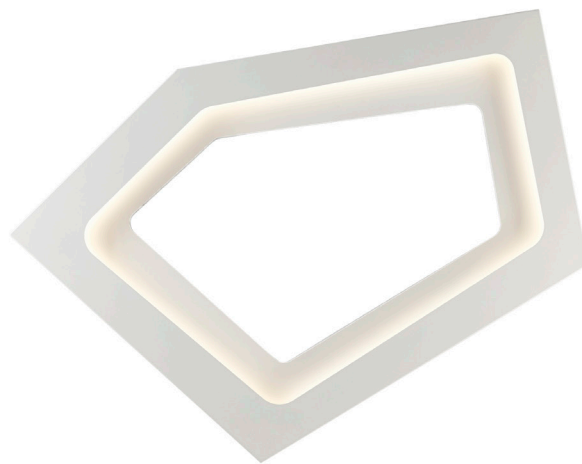
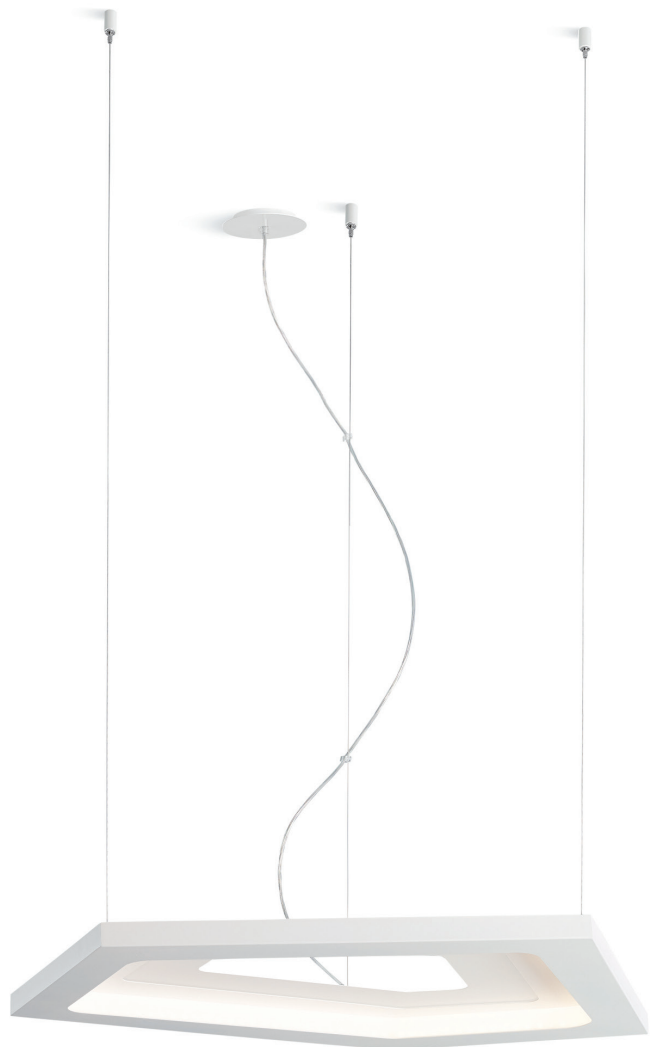
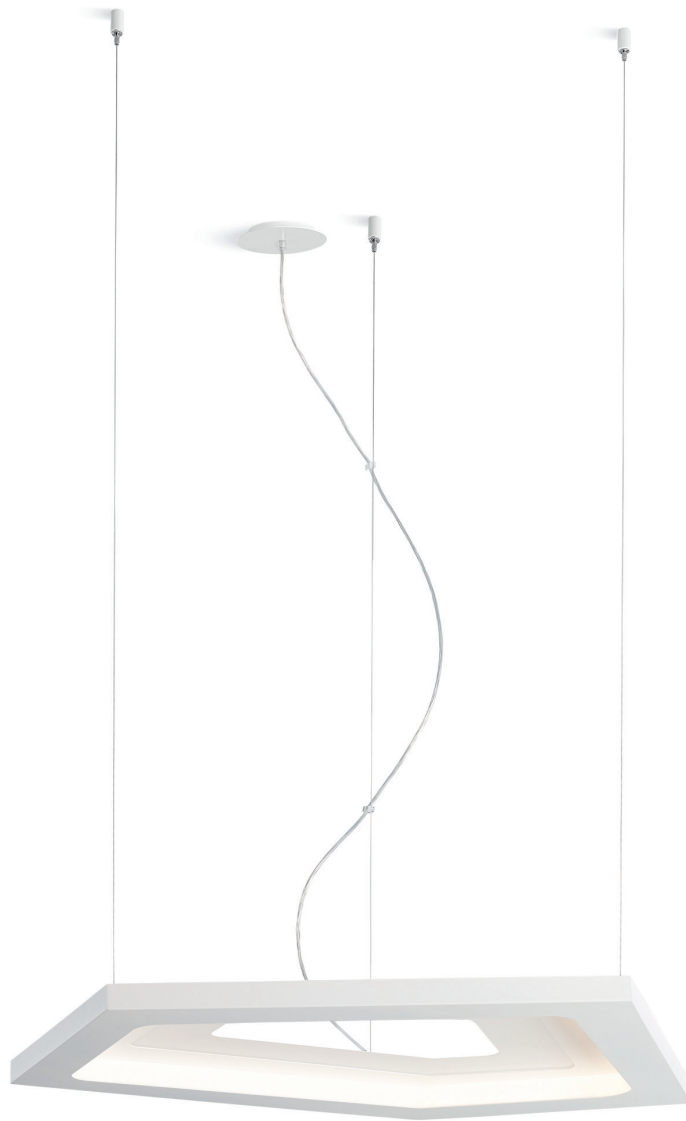


# NURA

TONI  
CLARIANA  
2014



# NURA SUSPENSION LAMP



# NURA SUSPENSION LAMP



**CARPYEN**  
BARCELONA

Carpylum70 S.L.  
C/ Pere IV 78-84 E-08005 Barcelona  
T +34 93 320 99 90

Spain: [comercial@carpyen.com](mailto:comercial@carpyen.com)  
Export: [export@carpyen.com](mailto:export@carpyen.com)  
Special project: [antony@carpyen.com](mailto:antony@carpyen.com)

# NURA SUSPENSION LAMP



**CARPYEN**  
BARCELONA

Carpylum70 S.L.  
C/ Pere IV 78-84 E-08005 Barcelona  
T +34 93 320 99 90

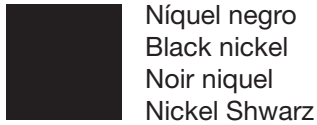
Spain: [comercial@carpyen.com](mailto:comercial@carpyen.com)  
Export: [export@carpyen.com](mailto:export@carpyen.com)  
Special project: [antony@carpyen.com](mailto:antony@carpyen.com)

# NURA SUSPENSION LAMP

**Materiales / Materials**  
**Matériaux / Matters**

Estructura: metal  
Structure: metal  
Structure: métal  
Struktur: Metall

**Acabados / Finishes**  
**Finitions / Ausführung**



**LED Integrado / Integrated /**  
**Intégré / Integriert**

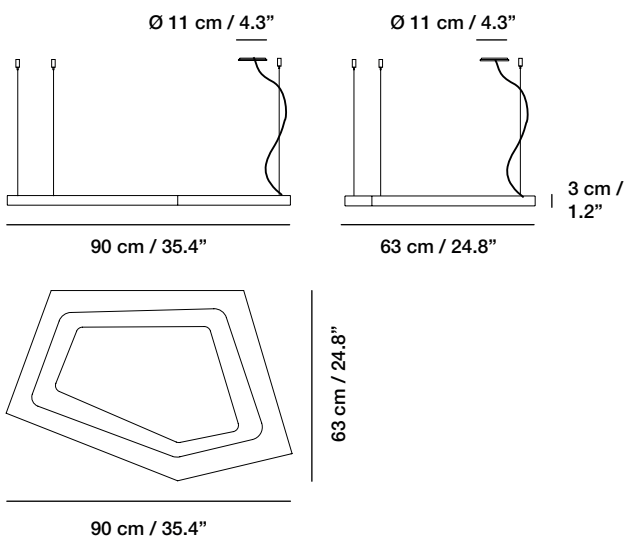
**Nura 1:**  
40 W / 100-240 V / 50-60 Hz  
4600 Lumen / 2700 K / CRI 80

**Nura 2:**  
85 W / 100-240 V / 50-60 Hz  
10510 Lumen / 2700 K / CRI 80

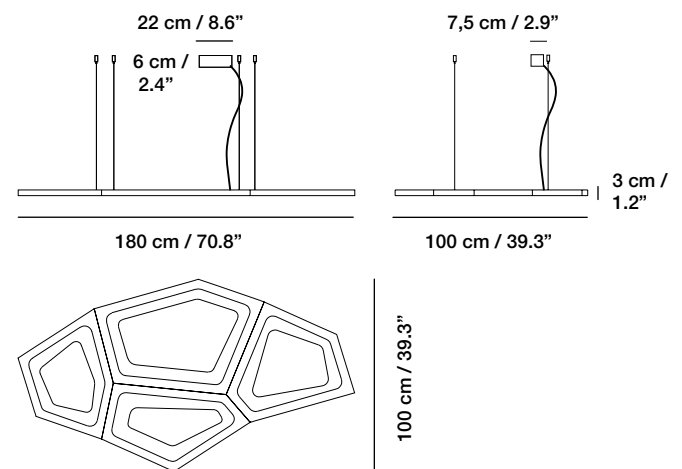


**Medidas / Measures / Measurements / Mittengun**

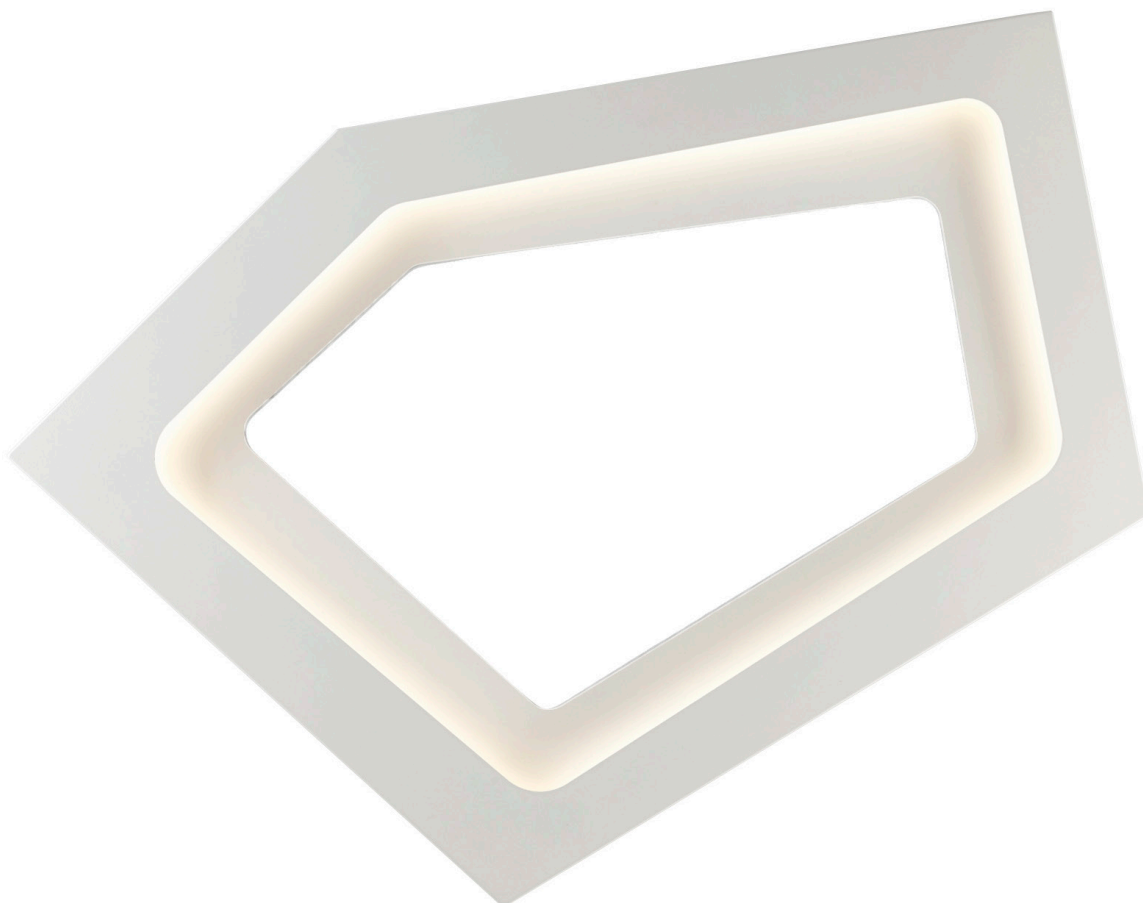
**Nura 1**



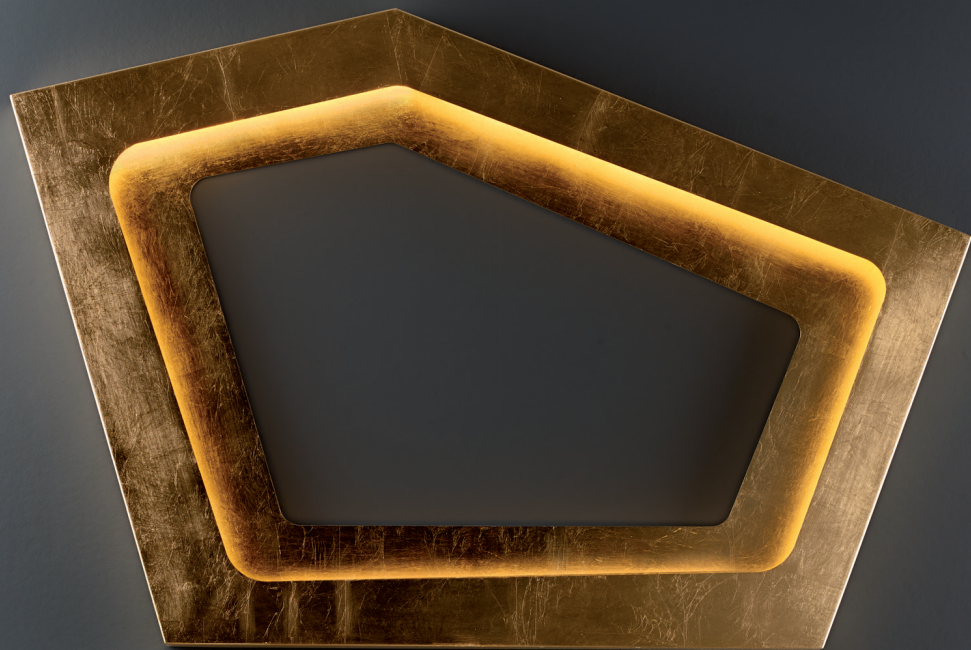
**Nura 2**



# NURA WALL LAMP



# NURA WALL LAMP



**CARPYEN**  
BARCELONA

Carpylum70 S.L.  
C/ Pere IV 78-84 E-08005 Barcelona  
T +34 93 320 99 90

Spain: [comercial@carpyen.com](mailto:comercial@carpyen.com)  
Export: [export@carpyen.com](mailto:export@carpyen.com)  
Special project: [antony@carpyen.com](mailto:antony@carpyen.com)

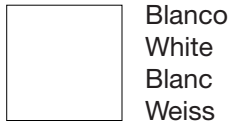
# NURA WALL LAMP

## Materiales / Materials Matériaux / Matters

Estructura: metal  
Structure: metal  
Structure: métal  
Struktur: Metall

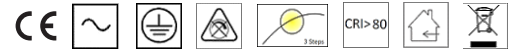
Uso individual o modular  
Individually or modular use  
Utilisation individuelle ou modulaire  
Einzeln oder modular Verwendung

## Acabados / Finishes Finitions / Ausführung



## LED Integrado / Integrated / Intégré / Integriert

30 W / 100-240 V / 50-60 Hz  
2900 Lumen / 2700 K / CRI 80



## Medidas / Measures / Measurements / Mittengun

