


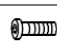

C	Ø8		4
B	M8x15		4
A	5mm		1
NO.	SIZE	DIAGRAM	QTY

FIG.  
1

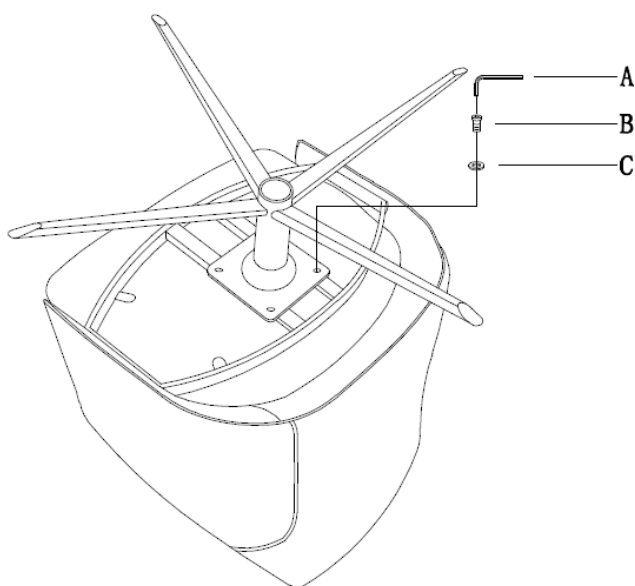


FIG.  
2

