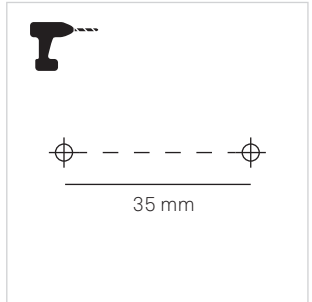
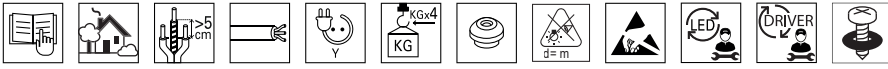


## MAX

CEILING DALI



**i**

HONEYCOMB  
SOFTENING  
SQUARE  
ELLIPTICAL

OPTIONAL  
NOT INCLUDED

**1**

**2**

$\varnothing_{\min} = 6\text{mm}$   
 $\varnothing_{\max} = 12\text{mm}$

**3**

L  
N  
DALI +  
DALI -

OFF

**4**

**5**

1

2

