



Measures

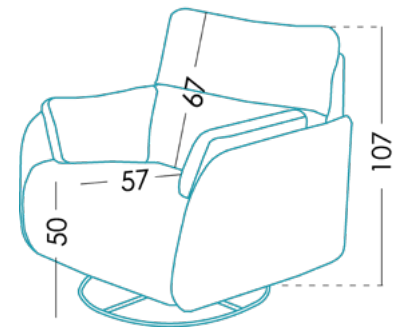
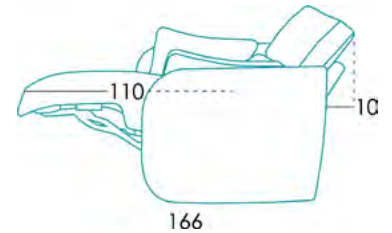
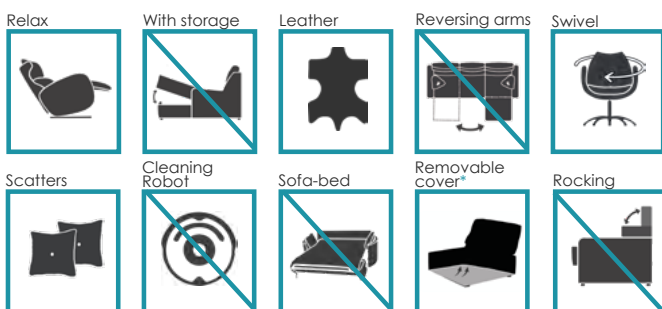
Width	103 cm
Height	107 cm
Depth	99 cm
Seat height	50 cm
Arm height	70 cm
Back height	67 cm
Depth when open	- cm

Technical information

Frame	Frame of pine wood and MDF
Seat suspension	N.E.A.
Back suspension	Webbing 80mm
Seat foam	Polyurethane 35kg + fibre
Seat firmness	Medium Foam (white)
Back cushions	Polyurethane 35kg + fibre
Loose cushions	Fibra Fibersilk 100%
Legs options	Metal feet
Colours	Standard black
Removable cover	Seat, back and scatters*
Guarantee	Frame and seat suspension: lifetime warranty Rest of pieces: 2 years *12-month guaranty extension by activating it on the web

[Would you like to know more?](#)

Options



Packaging

Packaging made up of shrink wrap and edge protectors.

The packaging comes along with the design. We always optimize it, so that it takes up as little space as possible and it is easy to carry it, avoiding the use of unnecessary packing material.



Sustainability

Our design is responsible as we minimize the impact of industrial activity, optimizing the entire field of design and production.

Every Fama products are PFCs Free.

At Fama Sofas, we recycle 98% of residue and waste, following the environmental policy of our company.

ADAN está fabricado por Fama Sofas cuyo sistema de calidad está certificado por AENOR e IQNET, según la norma ISO 9001-2015, con el número de certificado ES-0790/1999 además del certificado de Gestión Medioambiental de acuerdo a la norma ISO14001- 2015.

Todos los modelos han pasado las pruebas exigidas para la concesión de la etiqueta de control de Calidad de los laboratorios de Aidima-Cetem.



ISO 9001



FAMA SOFAS S.L.U.
C/ Dr. Jiménez Díaz s/n - P.O.Box 41
30510 YECLA (Murcia) SPAIN
Telf: 968751050 / info@fama.es / www.fama.es