

## Model **SWING**



### Technical Information

Frame \_\_\_\_\_ Frame of pine wood and MDF  
 Seat Suspension \_\_\_\_\_ Lifetime guarantee  
 Back Suspension \_\_\_\_\_ Webbing 80mm  
 Seat Foam \_\_\_\_\_ 35Kg foam on seat cushions + fibre  
 Seat Firmness \_\_\_\_\_ Medium Foam (white) \*  
 Back Cushions \_\_\_\_\_ Foam 33Kg + 400grs.  
 Loose Cushions \_\_\_\_\_  
 Legs Options \_\_\_\_\_ Swivel leg  
 Colors \_\_\_\_\_ Chrome, nube, dark grey, natural metal

### Guarantee

Frame and seat suspension  
 Lifetime guarantee

Rest of Pieces 2 years\*

\*6-month guaranty extension by activating it on the web

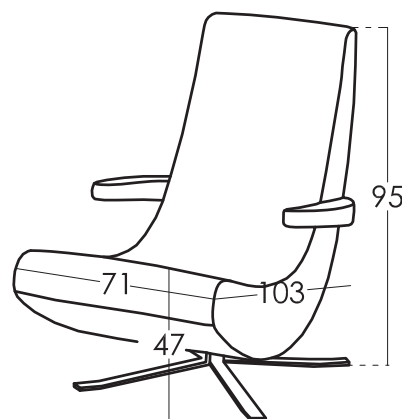
Comments: \_\_\_\_\_ \* You would like to know more?  
 Check the FAQS section in our website

### Cushions Measures

### Measures

### Scheme

Width 71 cm  
 Height 95 cm  
 Depth 103 cm  
 Seat Height 48 cm  
 Arm Height 59 cm  
 Back Height 45 cm  
 Depth when open - cm  
 Net Weight 24 kg  
 Gross Weight 25 kg  
 Volume m3 0,56 m3



### Packaging

Shrink wrapping plastic packaging with protective corner brackets

### Options



### Types of Standard Foam

Hardness: Soft Grey colour 41Kg	Hardness: Medium White colour 35Kg	Hardness: Hard Green colour 30Kg
---------------------------------------	--	--

### Types of Fire Retardant Foam

Hardness: Medium Grey colour 35Kg	Hardness: Soft White colour 36Kg
---	--

\* You can request a different seat hardness from the standard of the model with a small price increase

SWING is manufactured by Fama Sofas, whose quality system is certified by AENOR and IQNET, according to ISO 9001-2015, with certificate number ES-0790/1999.

All models have passed the tests required for granting the quality control label from Aidima-Cetem laboratories.

