



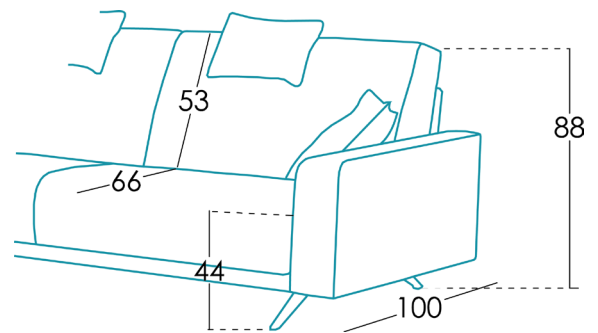
Measures

Width	x cm
Height	88 cm
Depth	100 cm
Seat height	44 cm
Arm height	62 cm
Back height	53 cm
Depth when open	- cm

Technical information

Frame	Frame of pine wood and MDF
Seat suspension	N.E.A.
Back suspension	Metal back support
Seat foam	Polyurethane 35kg medium + 35kg soft
Seat firmness	Medium Foam (white) + soft foam (grey)
Back cushions	Fibre Fibersilk 100% Polyurethane 30kg
Loose cushions	Fibre Fibersilk 100%
Legs options	Metal
Colours	Chrome/ Anthracite Grey
Removable cover	Seat, back and scatters*
Guarantee	Frame and seat suspension: lifetime warranty Rest of pieces: 2 years *12-month guaranty extension by activating it on the web

[Would you like to know more?](#)

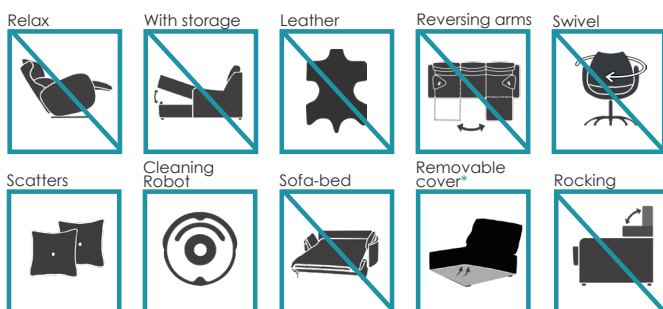


Packaging

Packaging made up of shrink wrap and edge protectors.

The packaging comes along with the design. We always optimize it, so that it takes up as little space as possible and it is easy to carry it, avoiding the use of unnecessary packing material.

Options



Sustainability

Our design is responsible as we minimize the impact of industrial activity, optimizing the entire field of design and production.

Every Fama products are PFCs Free.

At Fama Sofas, we recycle 98% of residue and waste, following the environmental policy of our company.



BOSTON is manufactured by Fama Sofas, whose quality system is certified by AENOR and IQNET according to the ISO 9001-2015 standards, with the certificate number ES-0790/1999. In addition to the Environmental Management Certificate according to ISO 14001-2019.

All models have passed the tests required for granting the quality control label from Aidima-Cetem laboratories.



ISO 9001



FAMA SOFAS S.L.U.

C/ Dr. Jiménez Díaz s/n - P.O.Box 41
30510 YECLA (Murcia) SPAIN

Tel: 968751050 / info@fama.es / www.fama.es