

ASSEMBLY INSTRUCTION

CP1302-F-1097



A x7
Spec: M6*25



B x7
Spec: $\varnothing 8 \times \varnothing 18$



C x10
Spec: $\varnothing 3.8 \times L50$



D x10
Spec:



E x6
Spec: 38*38mm

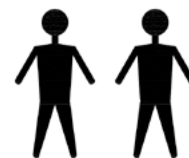


FIG.
1

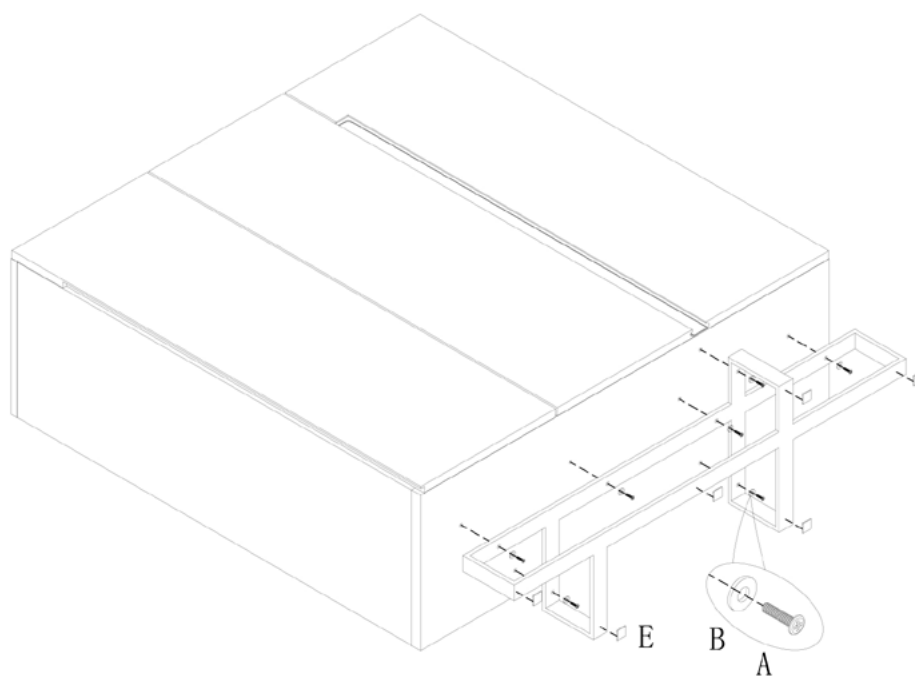


FIG.
2

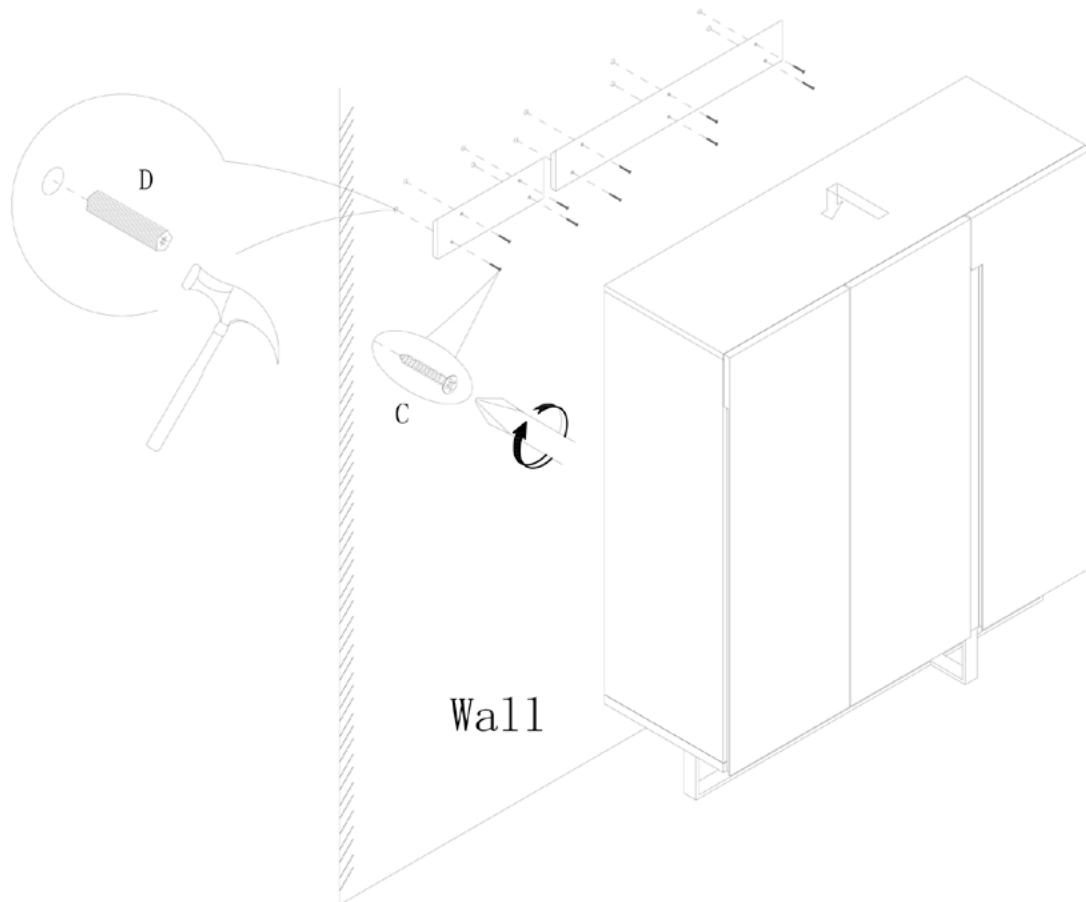
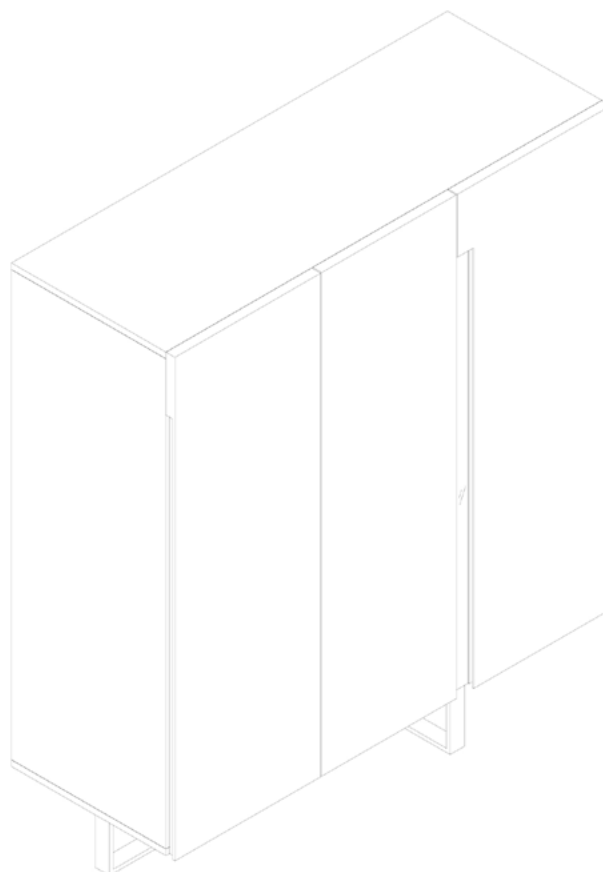
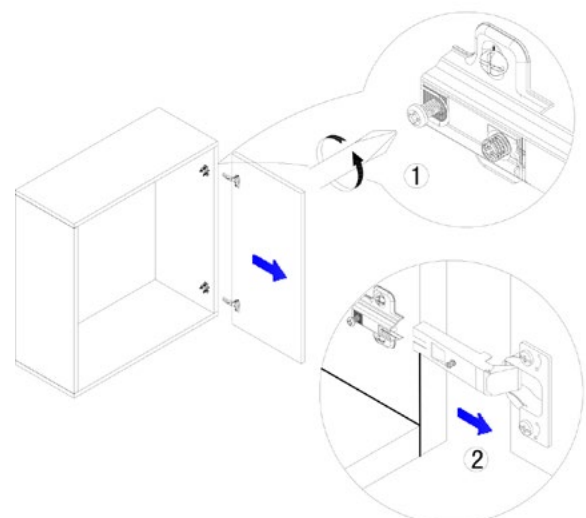
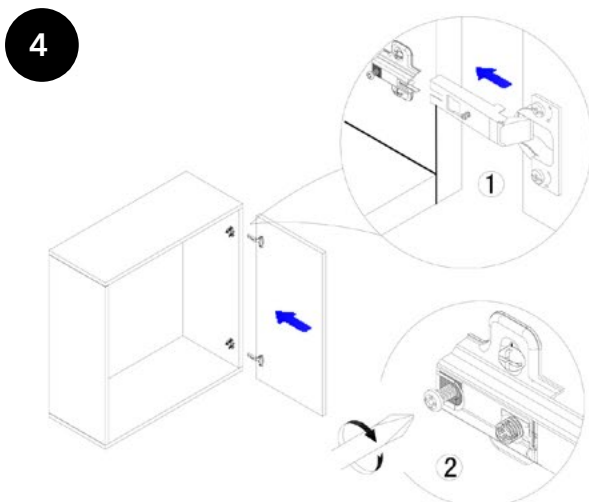
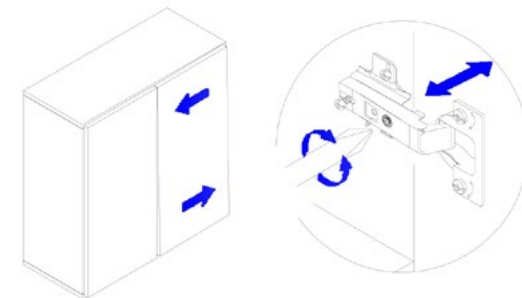
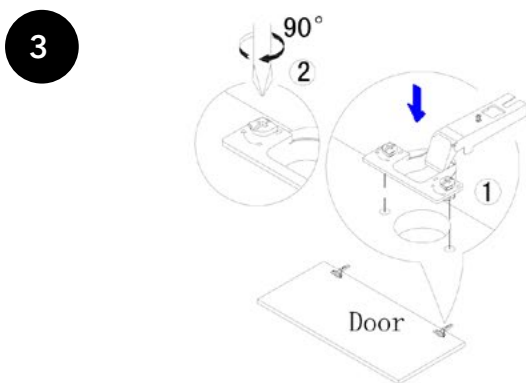
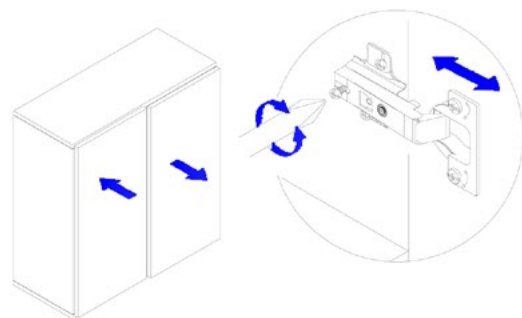
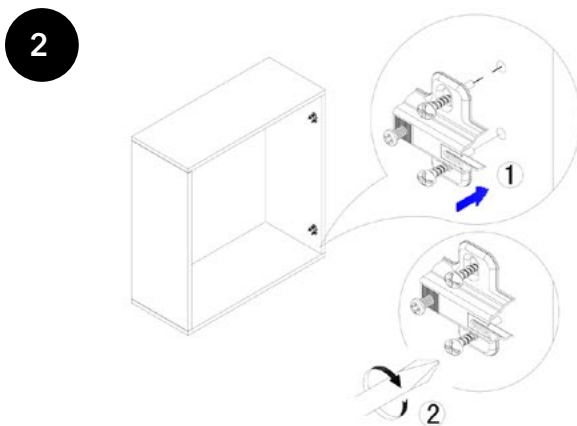
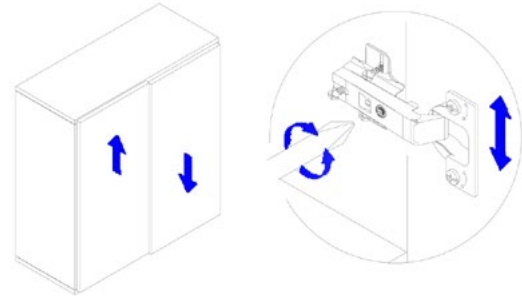
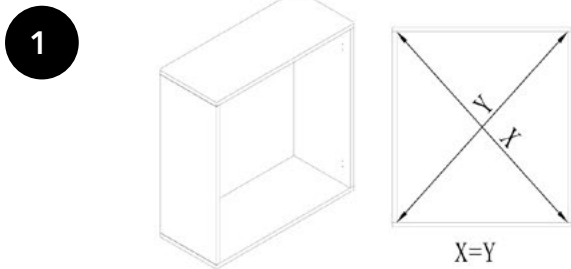


FIG.
3



DOOR ASSEMBLY

ADJUSTABLE METHOD



DOOR RENIVAL