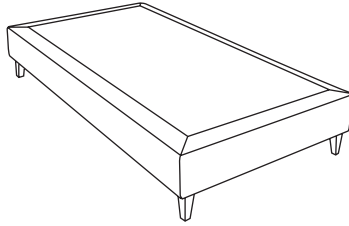
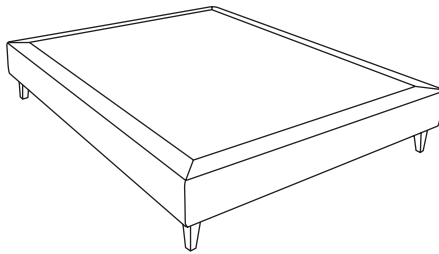




Kave® Cares



P. 4

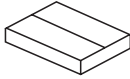


P. 11





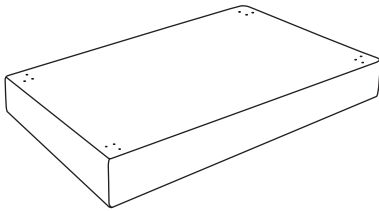
15 min



x3



x2



A x2



B x1



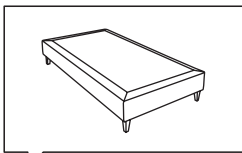
C x4

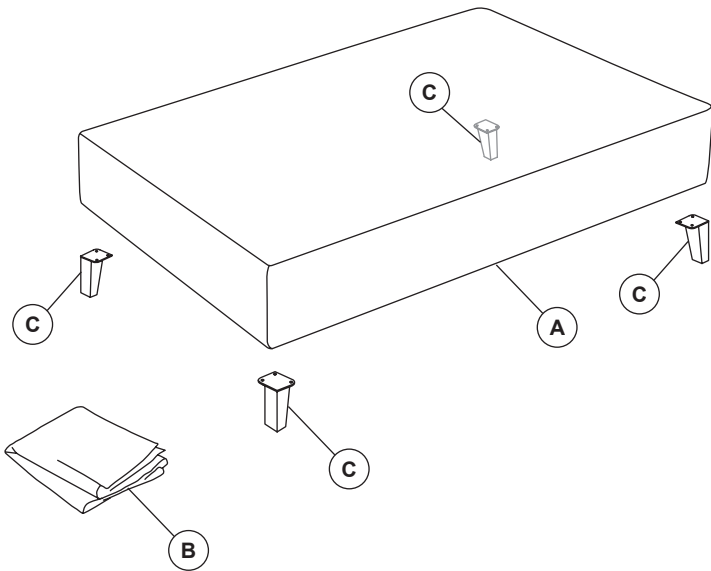


D x12
M6x25mm

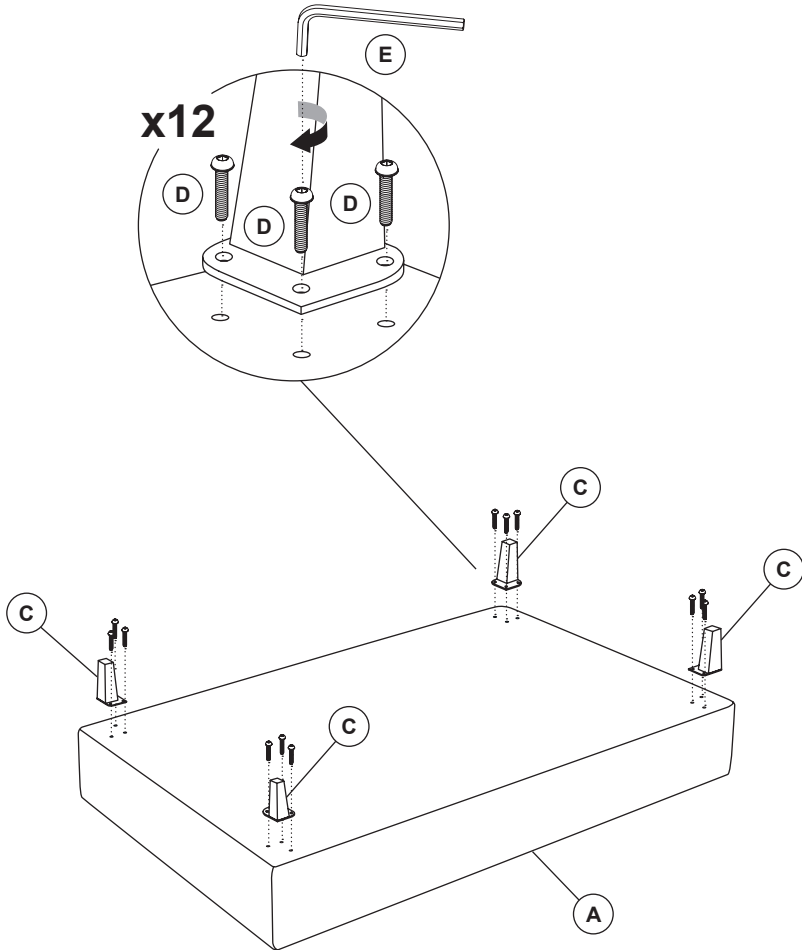


E x1

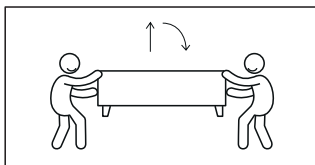
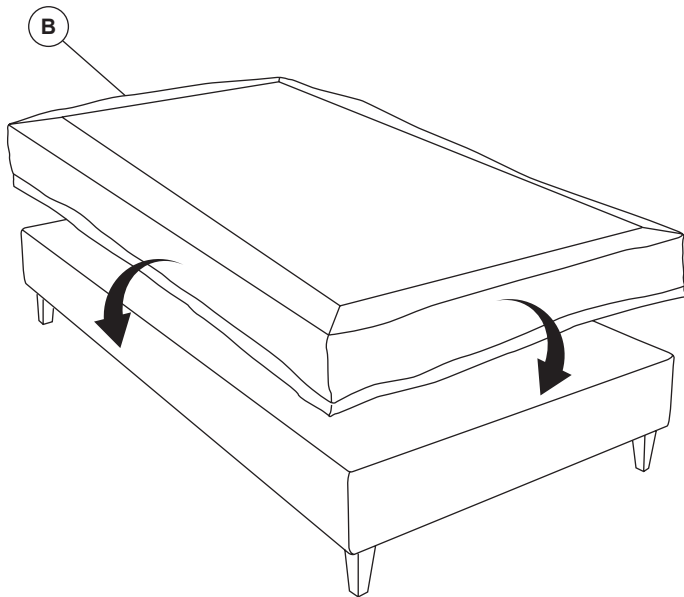




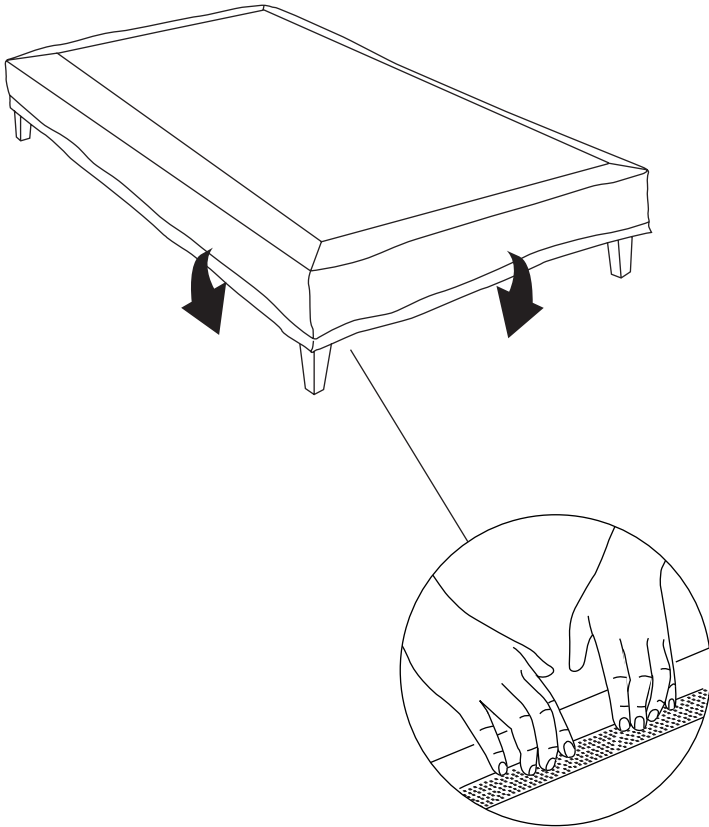
1

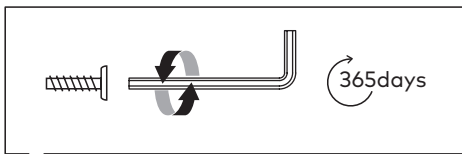
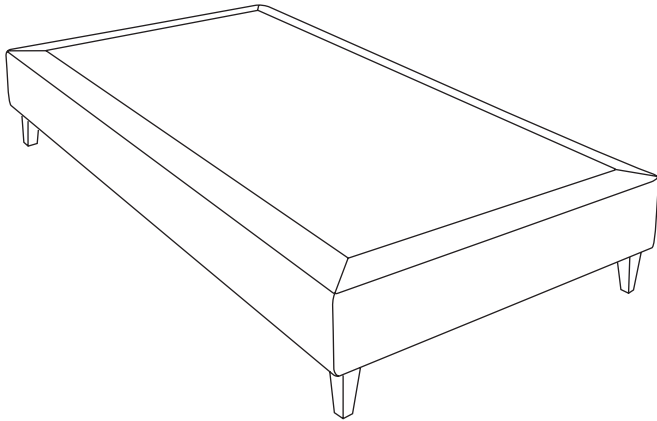


2



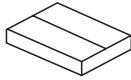
12







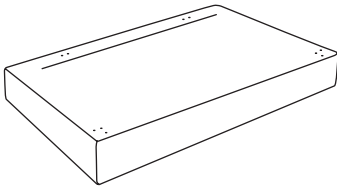
20 min



x4



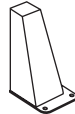
x2



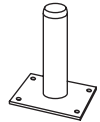
A x2



B x1



C x4



D x2



E x4
M8x60mm



F x20
M6x25mm



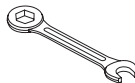
G x8
M8



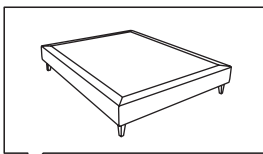
H x4
M8

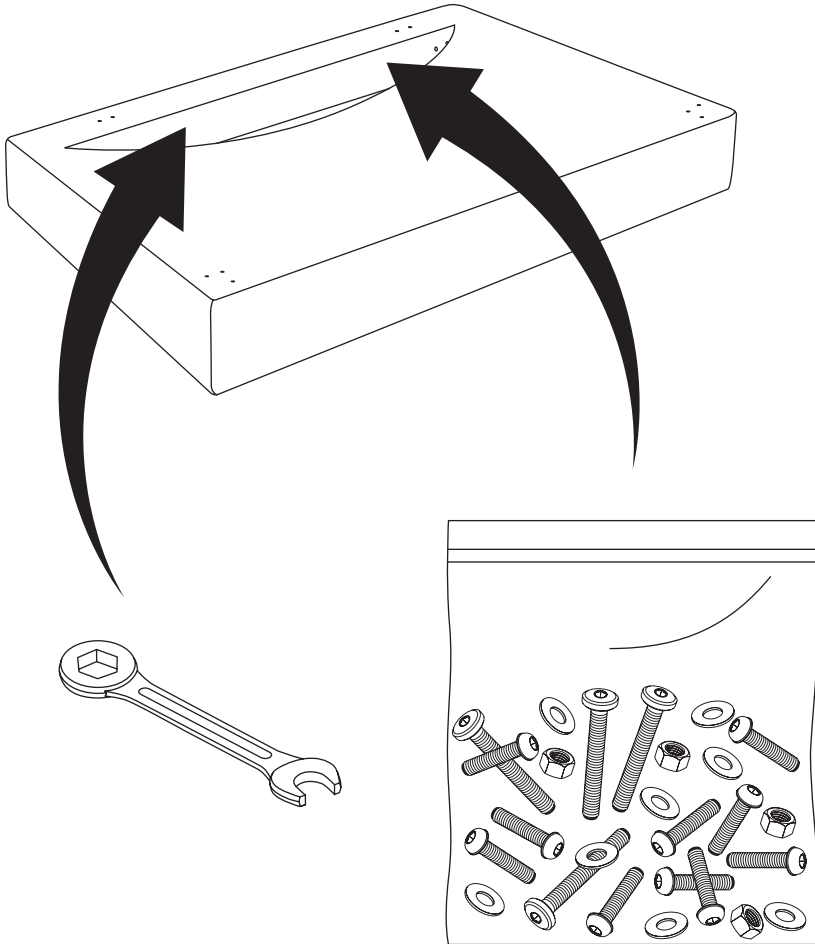


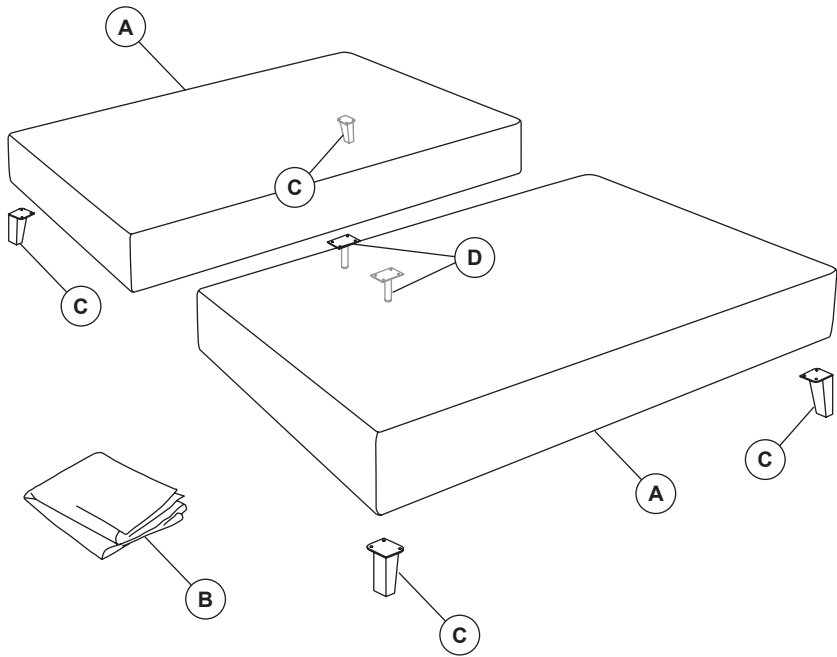
I x1



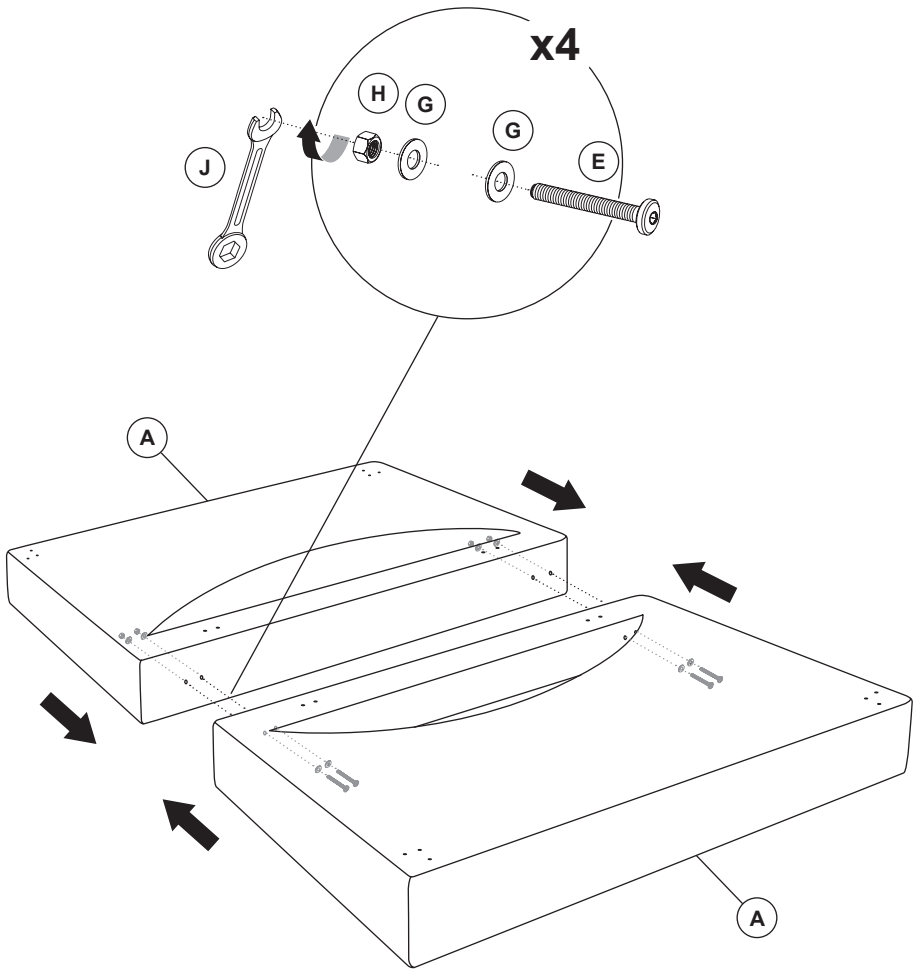
J x1



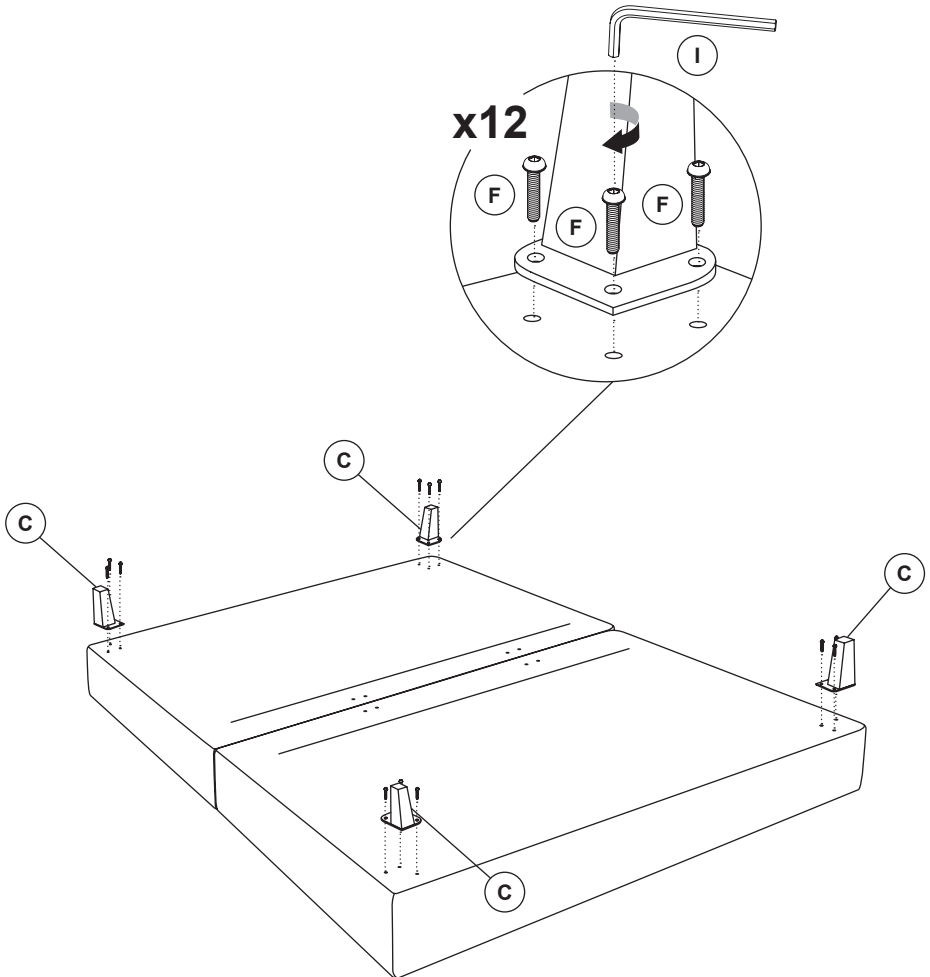




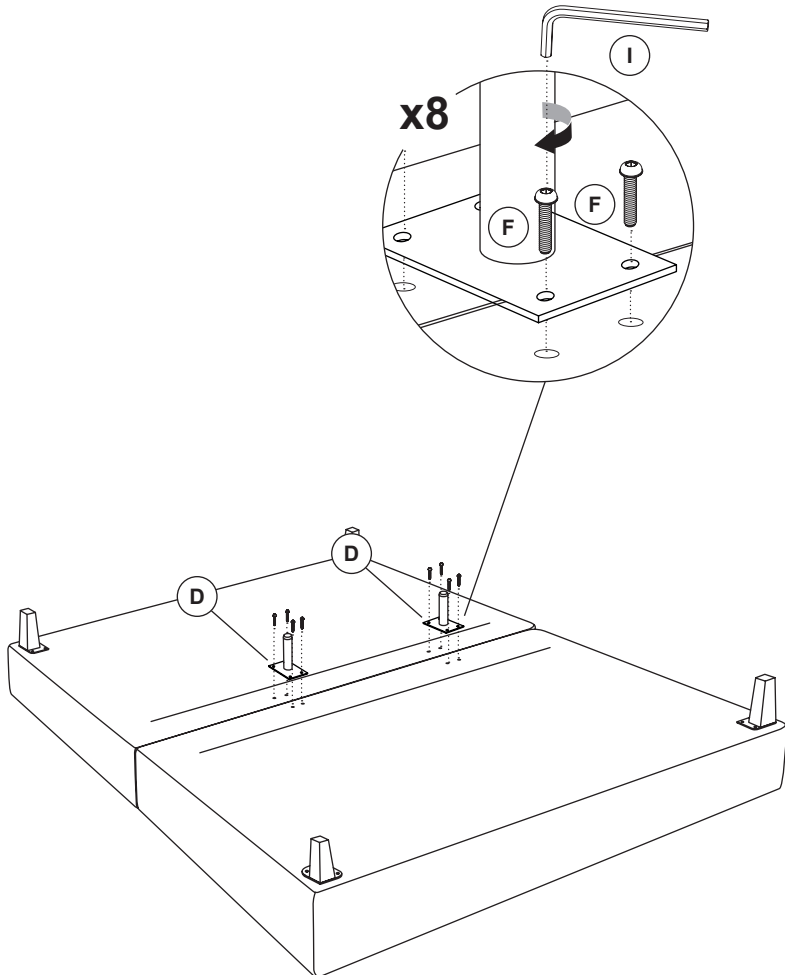
1



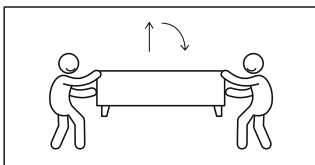
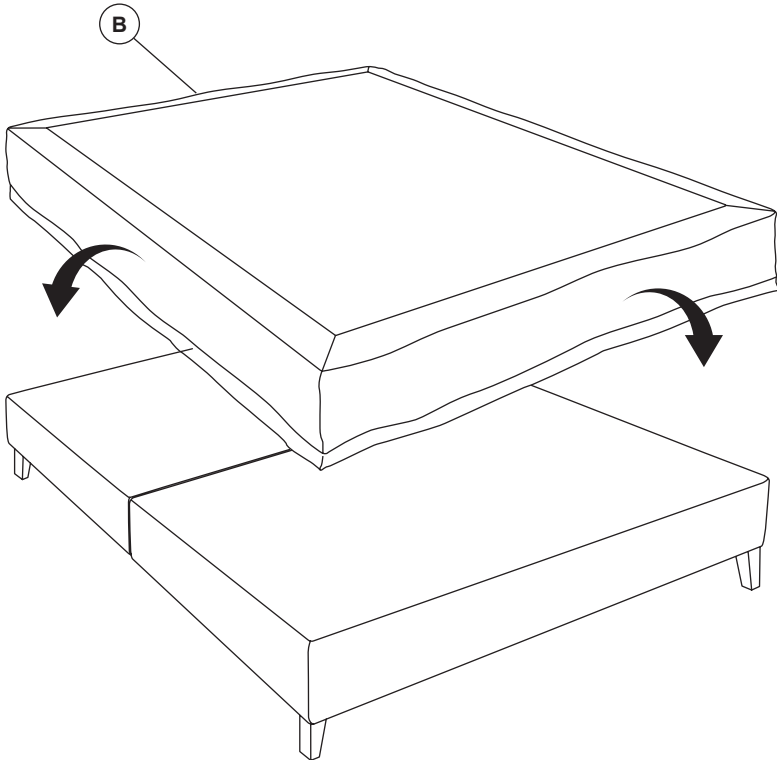
2



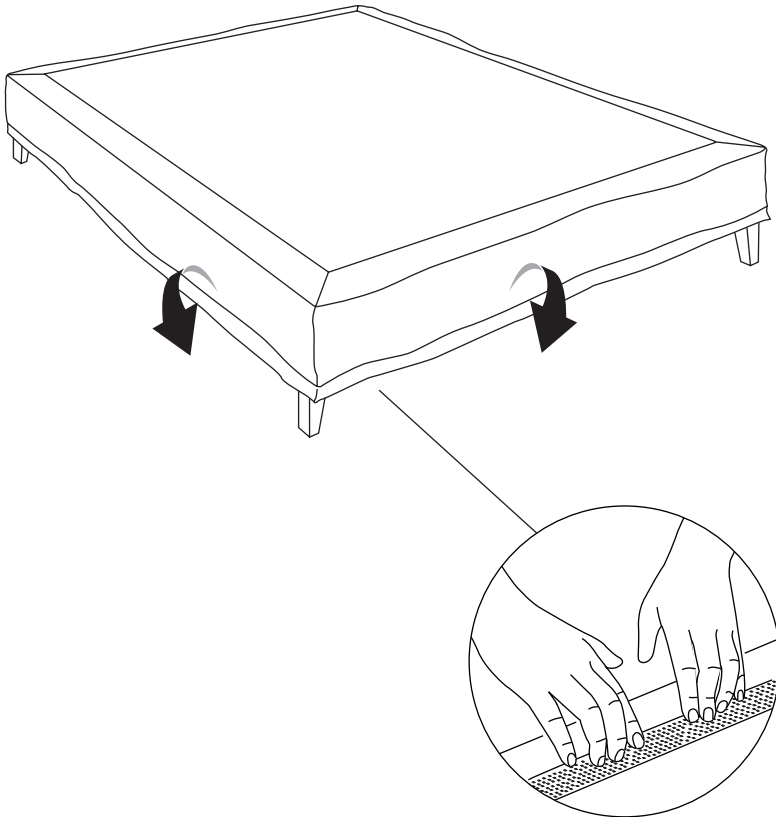
3

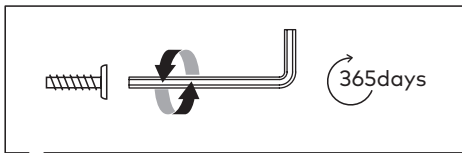
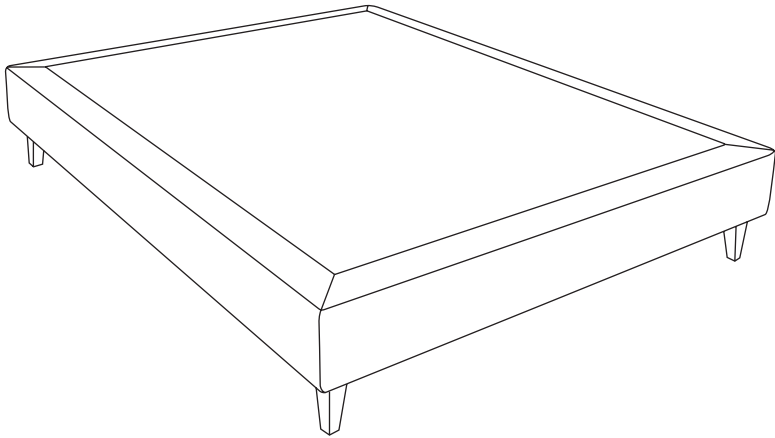


4



5







THAT'S ALL FOLKS

Share your style!

#KaveHome

