

ASSEMBLY INSTRUCTION CP1405-F-1101



A x28
Spec: $\varnothing 8 \times 30$



B x24
Spec: $\varnothing 7 \times L30$



C x24
Spec: $\varnothing 15 \times H12$



D x8
Spec: $\varnothing 5 \times L38$



E x24
Spec:



F x1
Spec: 10g

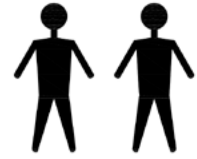
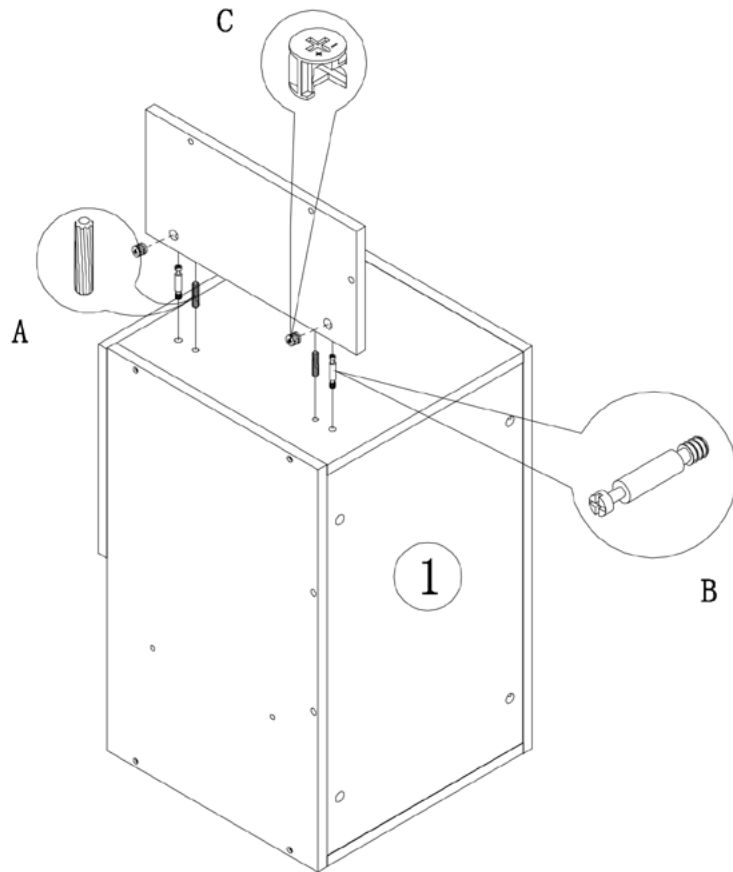
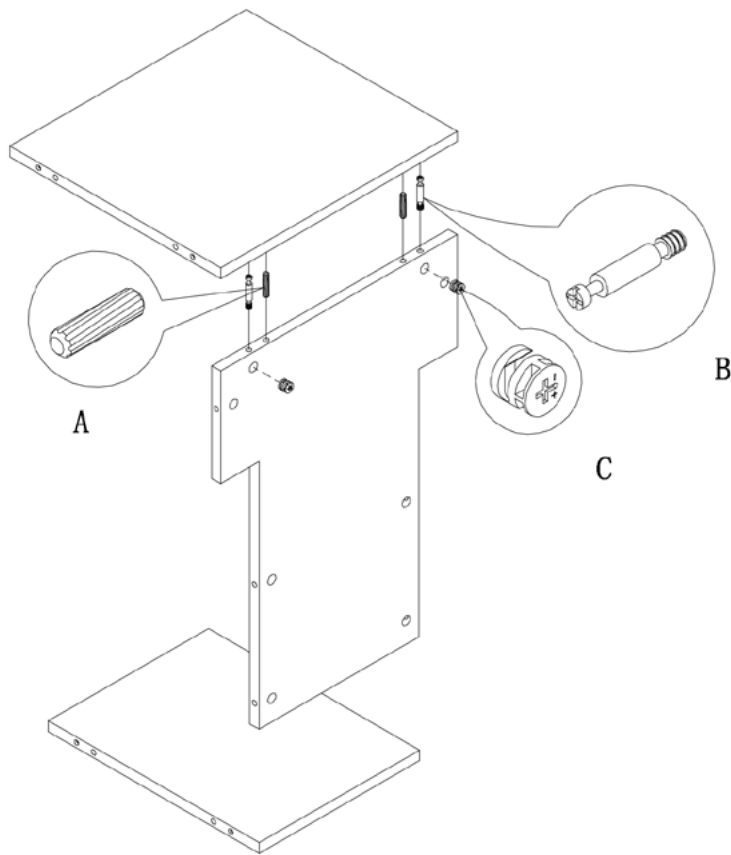


FIG.
1



**FIG.
2**



**FIG.
3**

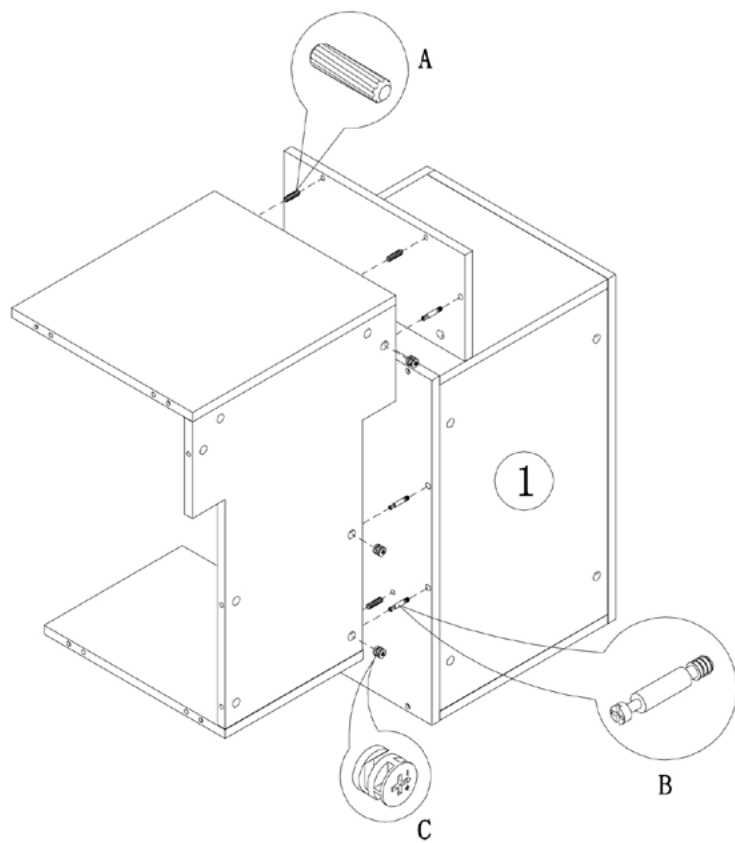


FIG.
4

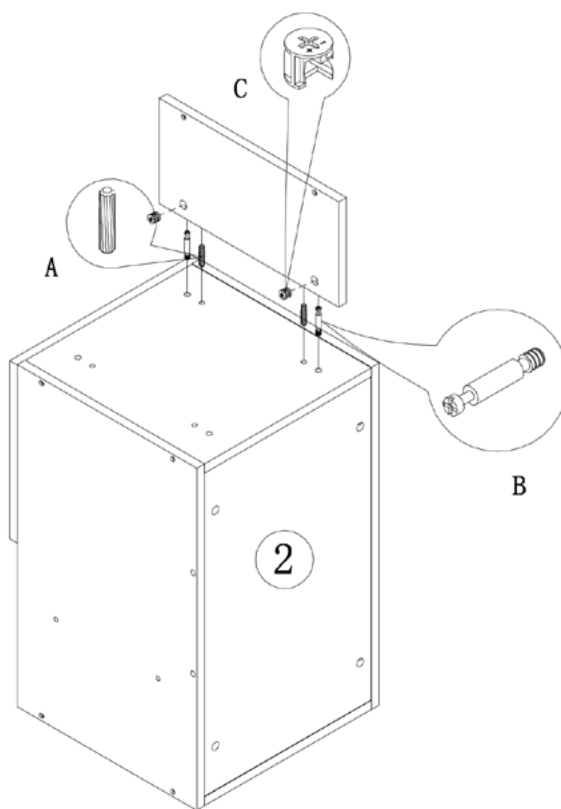


FIG.
5

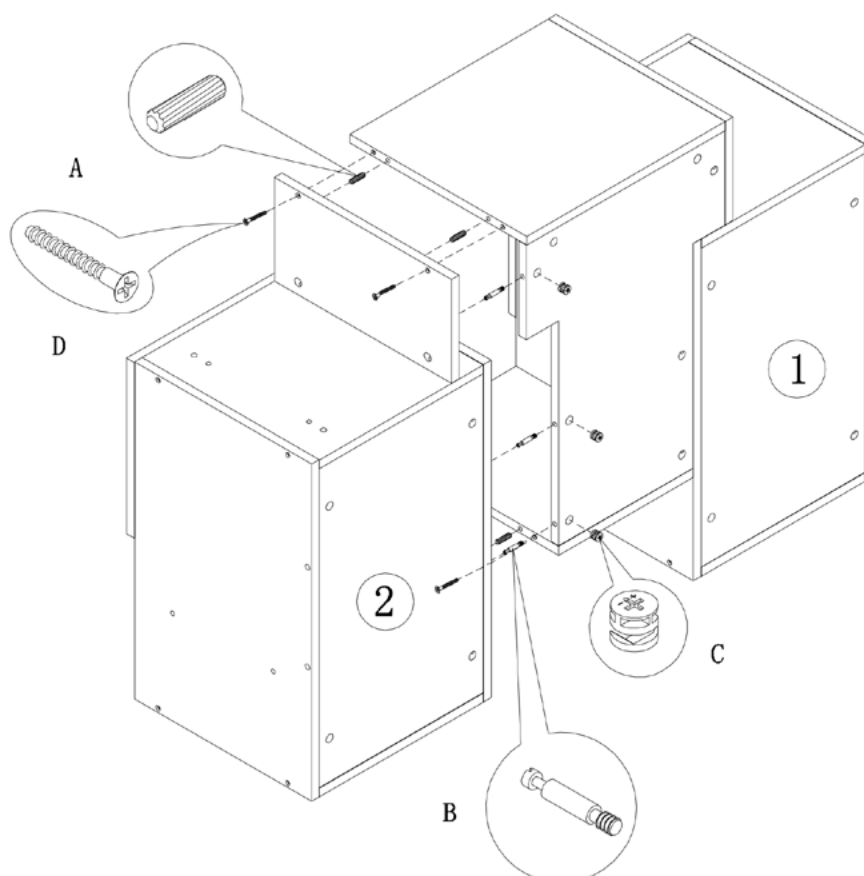


FIG.
6

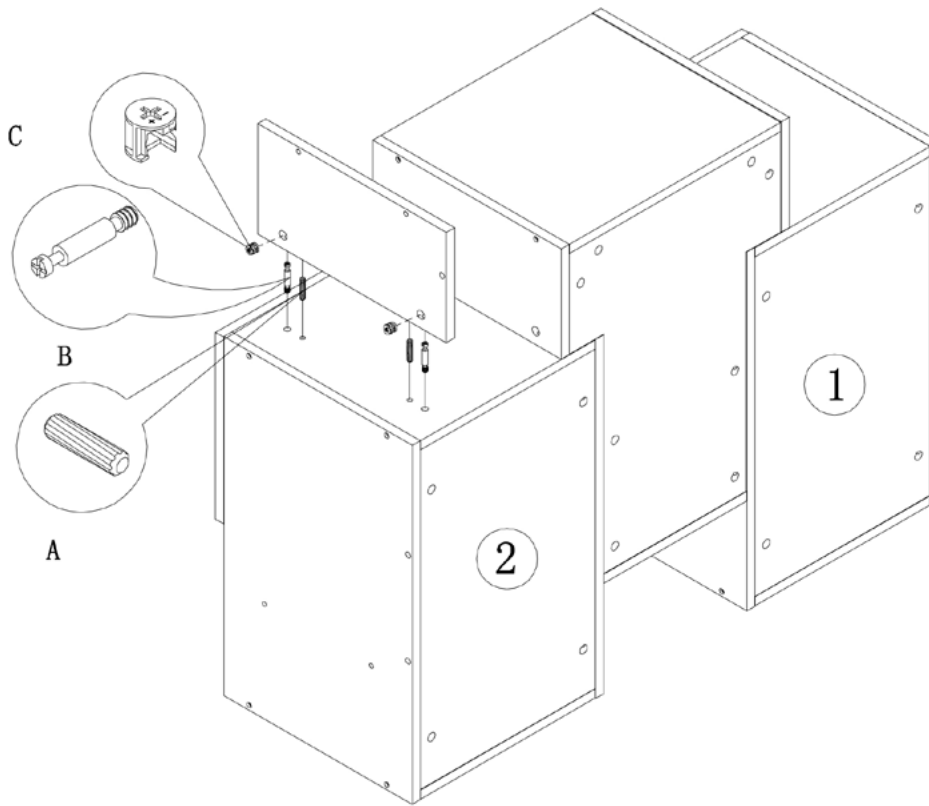


FIG.
7

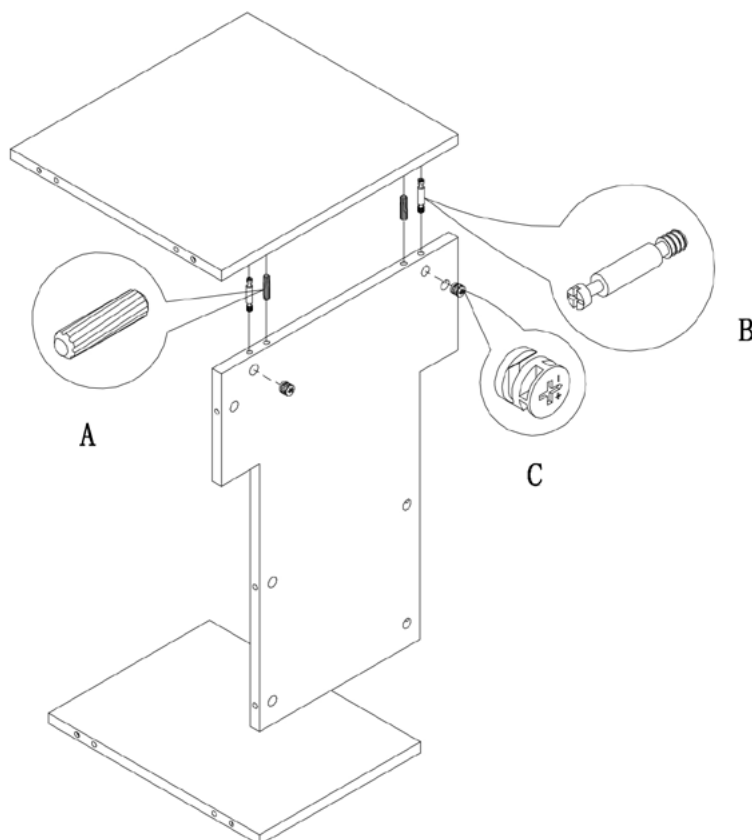


FIG.
8

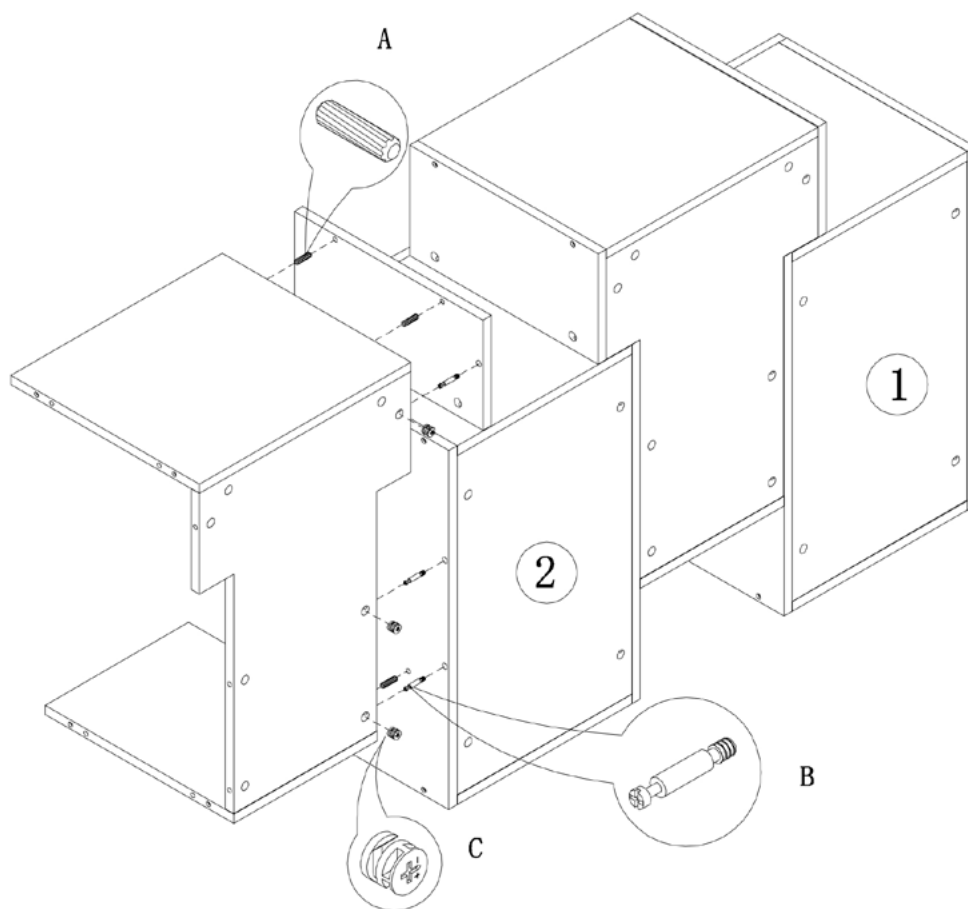


FIG.
9

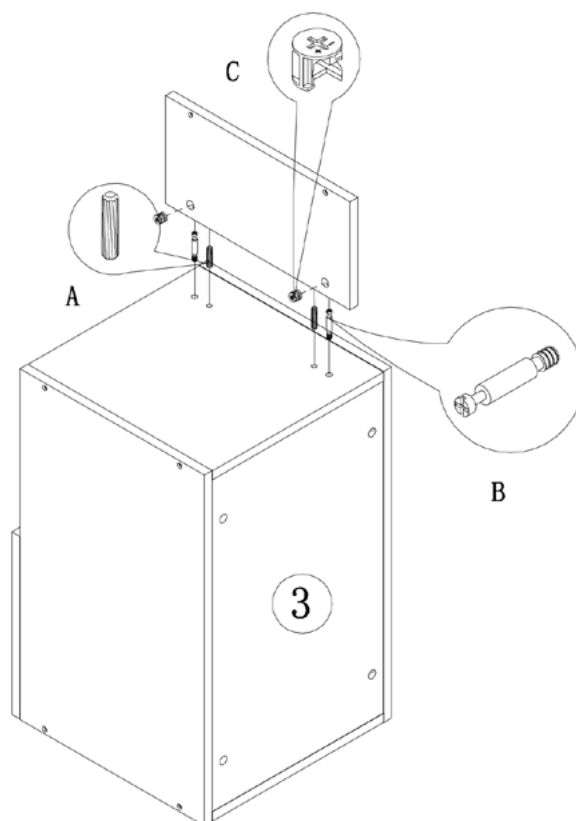


FIG.
10

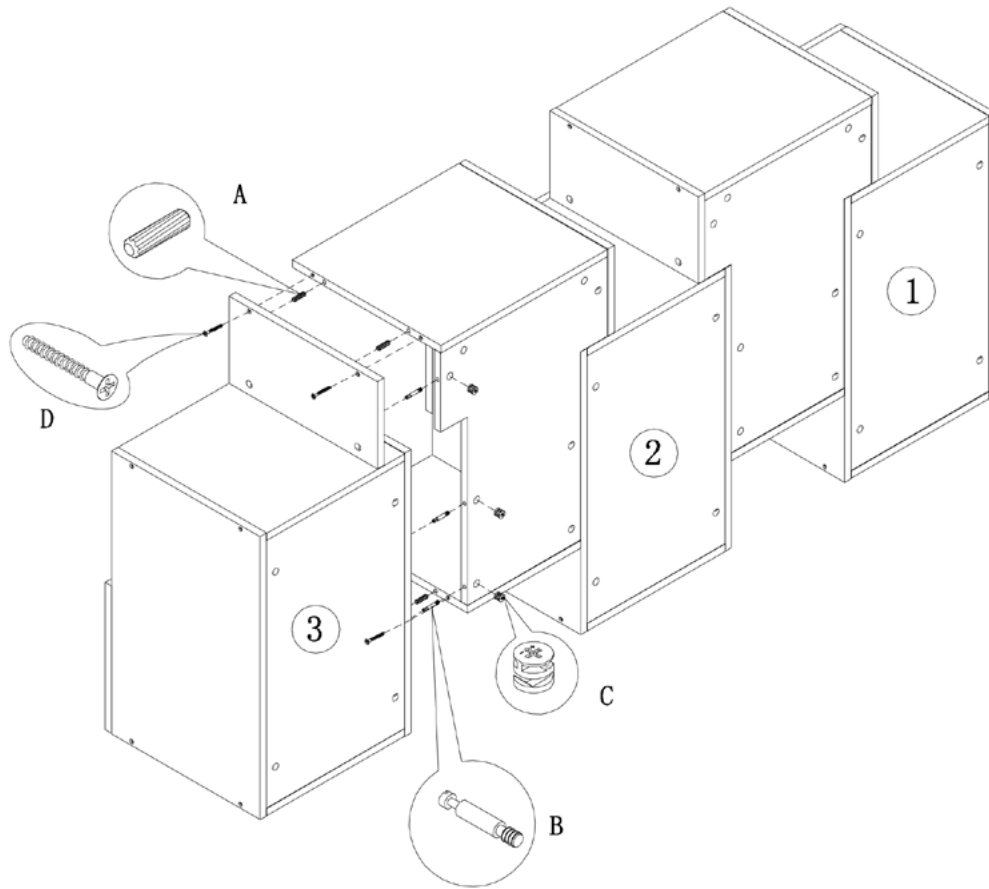


FIG.
11

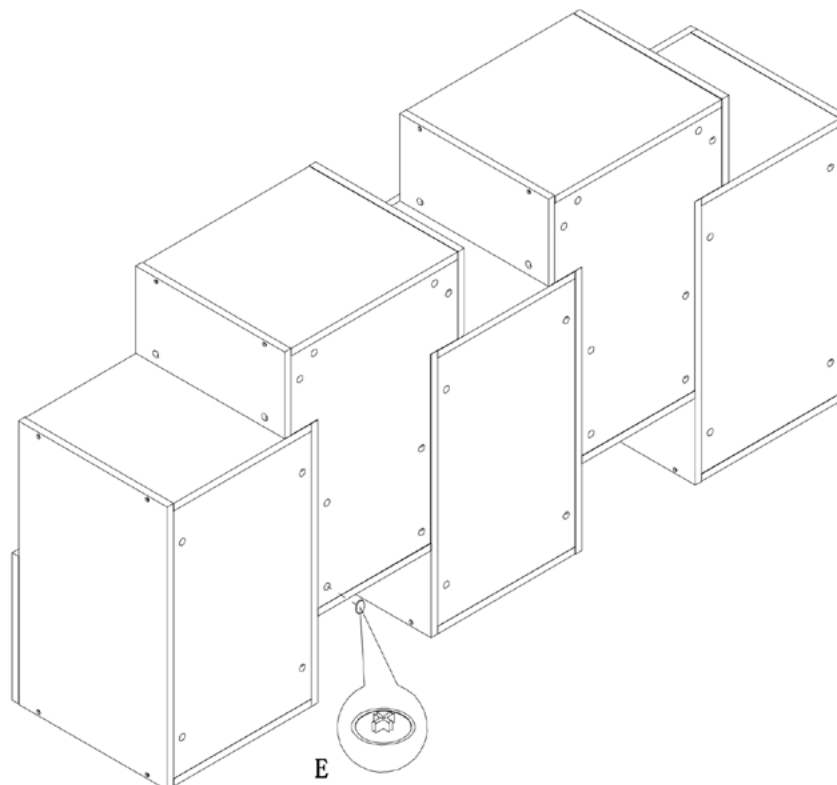


FIG.
12

