

ASSEMBLY INSTRUCTION

7042-CP1803-H-1821



A x1
Spec:



B x8
Spec: $\varnothing 11.8 \times \varnothing 10 \times 1.11$



C x8
Spec: 5/16*45



D x8
Spec: $\varnothing 8 \times \varnothing 14$



E x1
Spec: 5#



F x4
Spec:

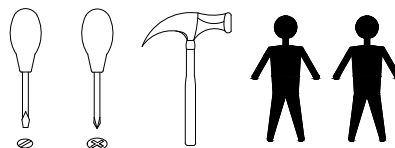


FIG. 1

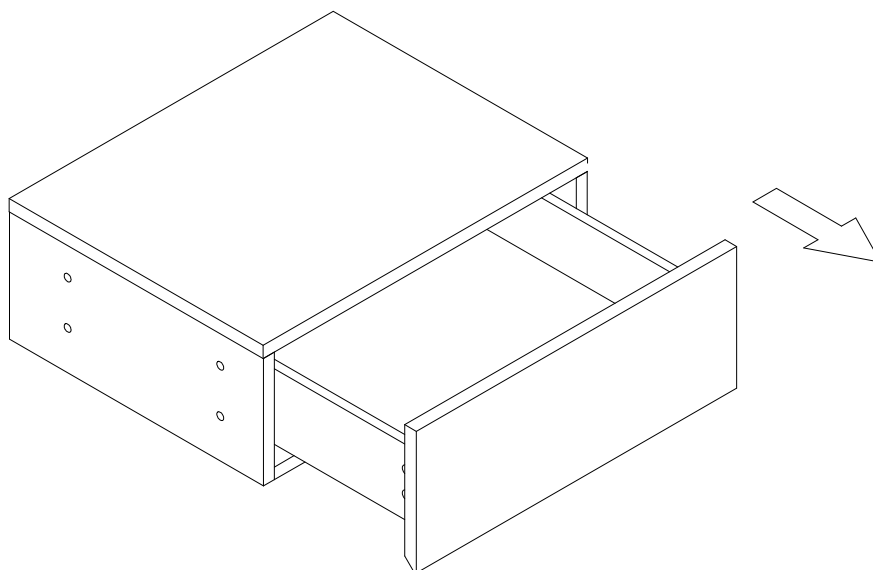


FIG. 2

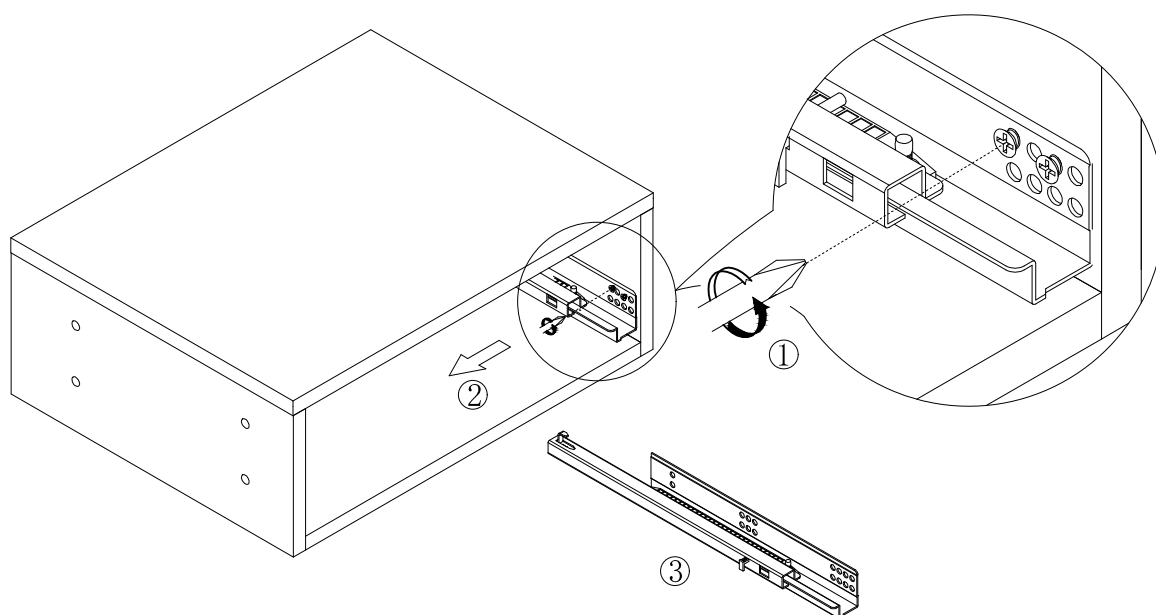


FIG.
3

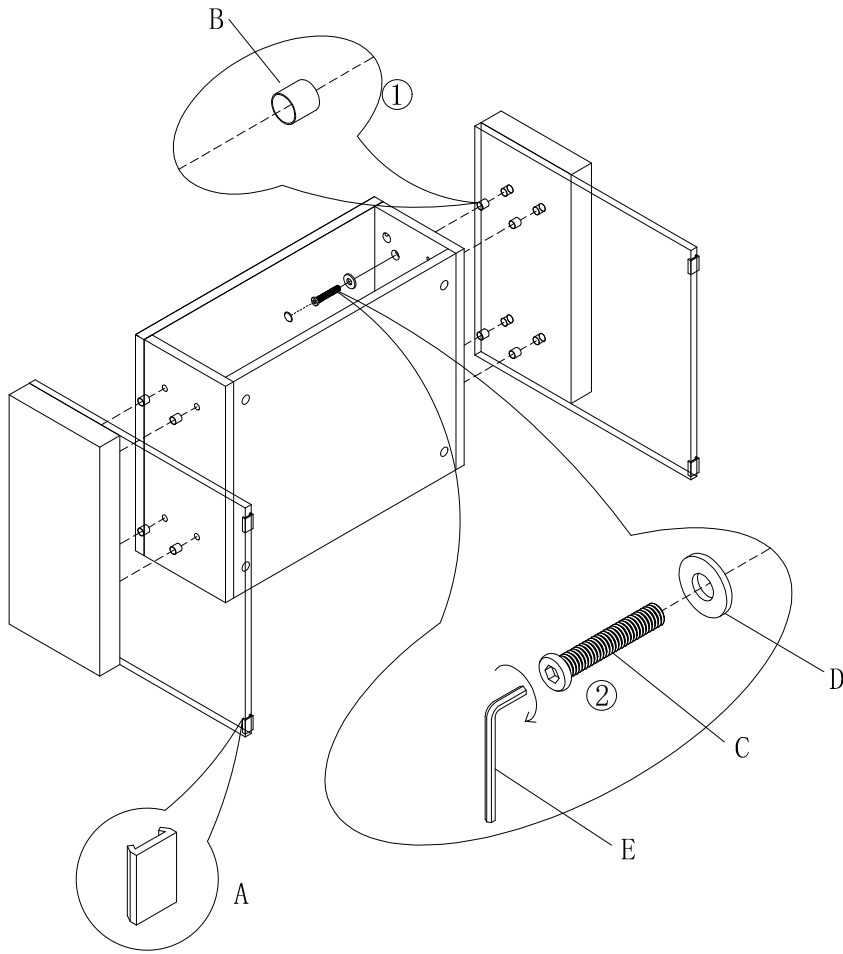


FIG.
4

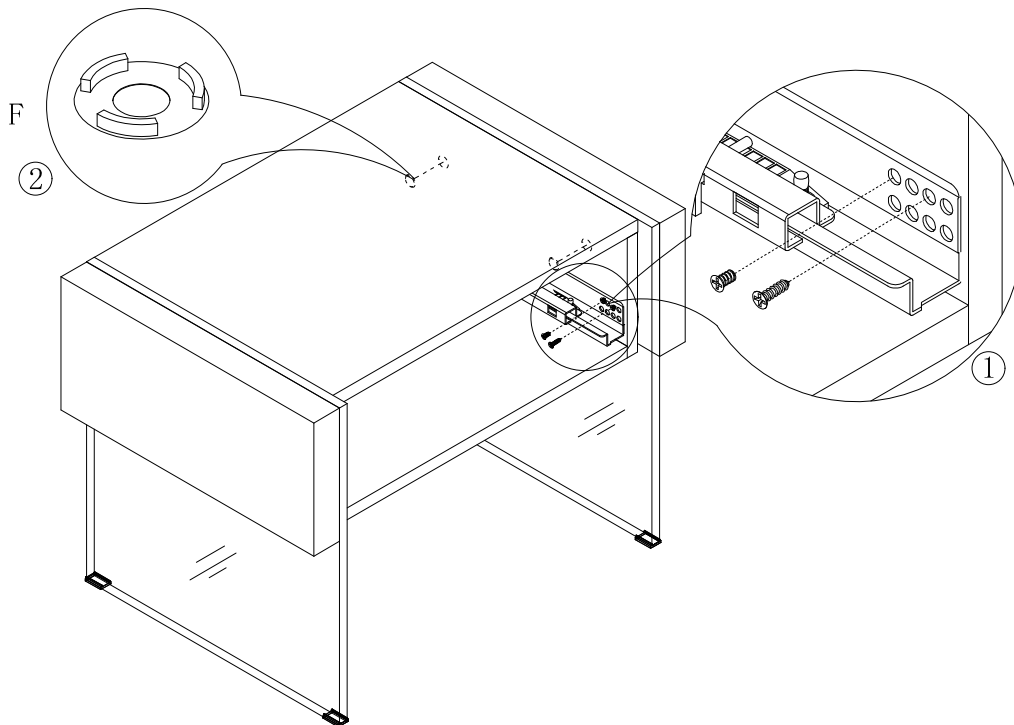


FIG.
5

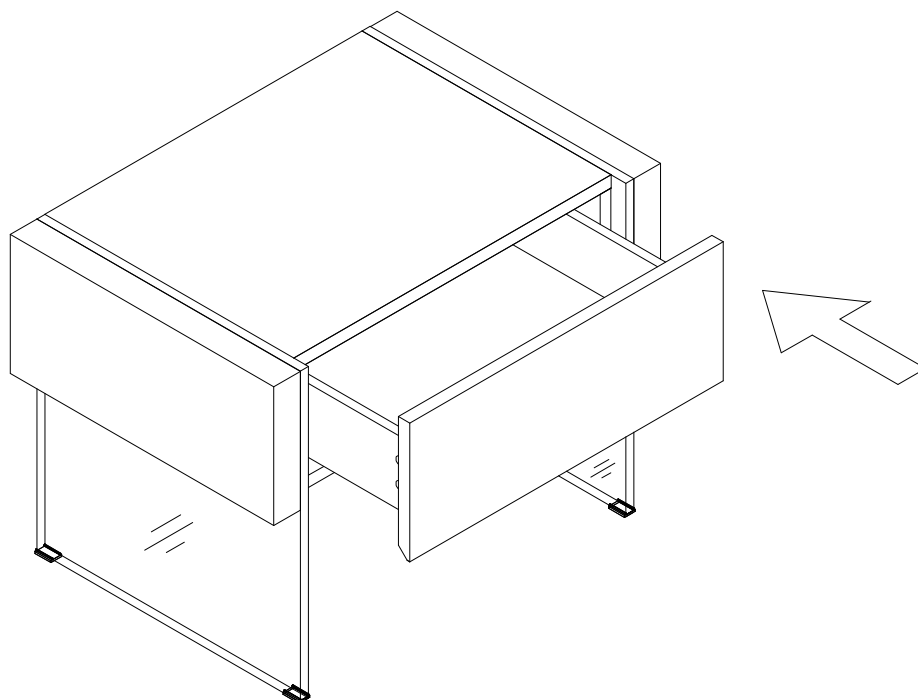


FIG.
6

