

TRIANA +

TRIANA _ACCESORIOS

JOAN CINCA
& DENNIS
PARK
2018



CARPYEN
BARCELONA

Carpylum70 S.L.
C/ Pere IV 78-84 E-08005 Barcelona
T +34 93 320 99 90

Spain: comercial@carpyen.com
Export: export@carpyen.com
Special project: antony@carpyen.com

TRIANA



TRIANA



CARPYEN
BARCELONA

Carpellum70 S.L.
C/ Pere IV 78-84 E-08005 Barcelona
T +34 93 320 99 90

Spain: comercial@carpyen.com
Export: export@carpyen.com
Special project: antony@carpyen.com

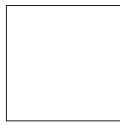
TRIANA

Materiales / Materials Matériaux / Matters

Estructura: metal
Structure: metal
Structure: métal
Struktur: Metall



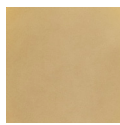
Acabados / Finishes Finitions / Ausführung



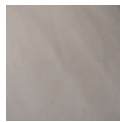
Blanco
White
Blanc
Weiss



Negro
Black
Noir
Schwarz



Oro Mate
Matt gold
Or mat
Mattgold



Níquel mate
Matt nickel
Nickel mat
Nickel matt

Accesorios / Accessories Accessoires / Zubehör

Doble / Double / Double / Doppel

Triple / Triple / Triple / Triple

Triple circular / Triple circular
Circulaire triple / Dreifaches kreis

LED

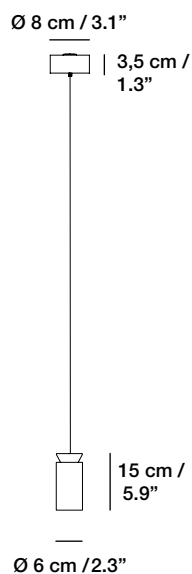
GU10 LED
10 W / 220-240 V / 50-60 Hz
900 Lumen / 3000 K

Dimerizable bajo pedido
Dimming upon request
Dimmable sur demande
Dimmen auf Anfrage



Bombilla incluida / Bulb included /
Ampoule incluse / Glühbirne enthalten

Medidas / Measures / Measurements / Mittengun



TRIANA ACCESORIOS



TRIANA ACCESORIOS



CARPYEN
BARCELONA

Carpylum70 S.L.
C/ Pere IV 78-84 E-08005 Barcelona
T +34 93 320 99 90

Spain: comercial@carpyen.com
Export: export@carpyen.com
Special project: antony@carpyen.com

TRIANA ACCESORIOS

2 TRAIT

smooth and clean texture, with creamy sensation.

TEA

00	<i>thee van evermore</i>	2,60
30	<i>jasmin</i>	3,10
20	<i>verse muntthee</i>	2,70
60	<i>verse gemberthee</i>	2,90

COLD

40	<i>bos ice tea</i>	3,40
10	<i>appelsap</i>	2,70
40	<i>wisselende smoothie</i>	4,10



TRIANA ACCESORIOS



CARPYEN
BARCELONA

Carpylum70 S.L.
C/ Pere IV 78-84 E-08005 Barcelona
T +34 93 320 99 90

Spain: comercial@carpyen.com
Export: export@carpyen.com
Special project: antony@carpyen.com

TRIANA ACCESORIOS

Materiales / Materials Matériaux / Matters

Estructura: metal
Structure: metal
Structure: métal
Struktur: Metall

Paneles / Panels Panneaux / Platten



Blanco
White
Blanc
Weiss



Negro
Black
Noir
Schwarz



Roble natural
Natural oak
Chêne naturel
Natürliche Eiche

Accesorios / Accessories Accessoires / Zubehör

Triple lineal / Triple linear
Triple linéaire / Lineares Dreifach

Triple circular / Triple circular
Circulaire triple / Dreifaches kreis

Lineal recto / Linear straight
Linéaire droit / Gerade linear

Lineal zig-zag / Linear zig-zag
Linéaire zig-zag / Linearer Zick-Zack

Plafón circular 3, 5, 7, 9, 11 o 15 lámparas
Circular canopy 3, 5, 7, 9, 11 or 15 lamps
Pavilion circulaire de 3, 5, 7, 9, 11 ou 15 lampes
Runde Deckenleuchte 3, 5, 7, 9, 11 oder 15 Lampen

LED

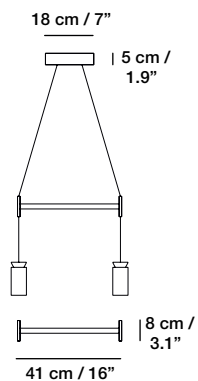
GU10 LED
10 W / 220-240 V / 50-60 Hz
900 Lumen / 3000 K



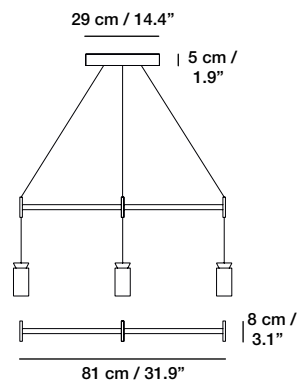
Bombilla incluida / Bulb included /
Ampoule incluse / Glühbirne enthalten

Medidas / Measures / Measurements / Mittengun

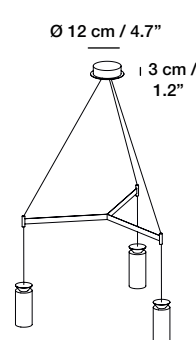
Doble / Double / Double / Doppelt



Triple / Triple / Tripler / Dreifach



Triple circular / Triple circular / Triple circulaire / kreisförmig Dreifach



CARPYEN
BARCELONA

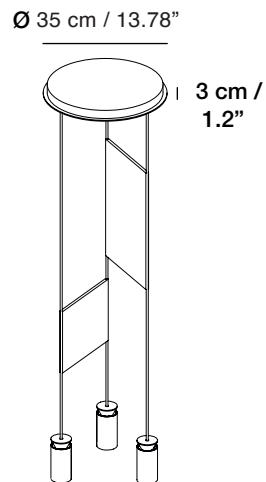
Carpylum70 S.L.
C/ Pere IV 78-84 E-08005 Barcelona
T +34 93 320 99 90

Spain: comercial@carpyen.com
Export: export@carpyen.com
Special project: antony@carpyen.com

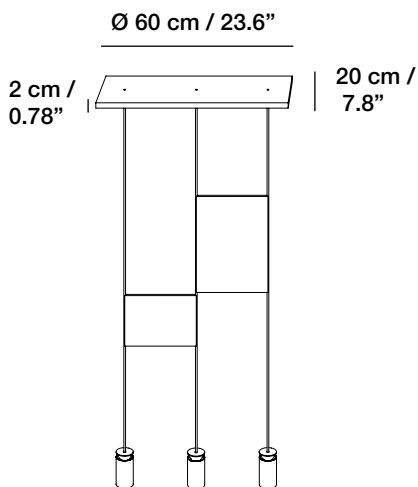
TRIANA ACCESORIOS

Medidas / Measures / Measurements / Mittengun

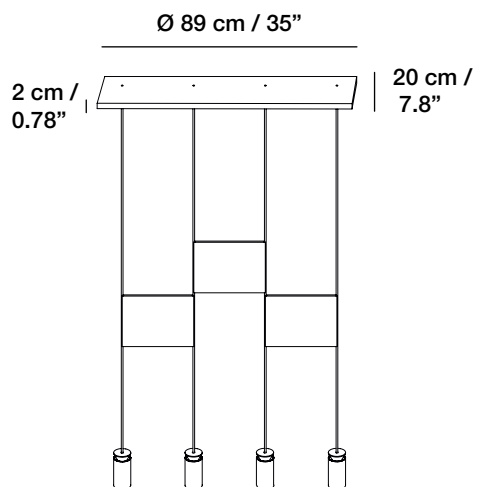
Florón circular A3 / Circular canopy A3



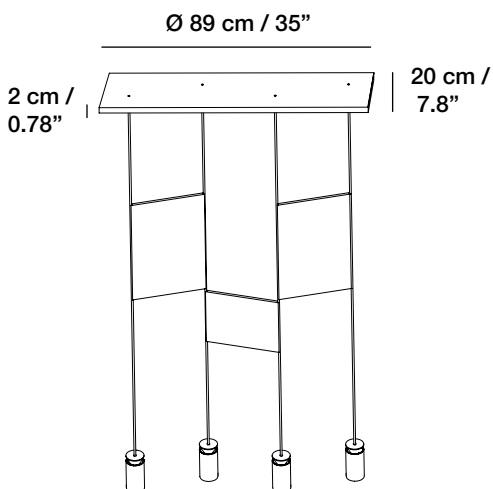
Florón rectangular B3 / Rectangular canopy B3



Florón rectangular B4 / Rectangular canopy B4



Florón zig-zag C4 / Canopy zig-zag C4



Paneles de madera / Wood panels

