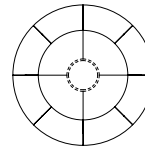


Tekiò Circular

Anthony Dickens. 2017
Pendant lamps

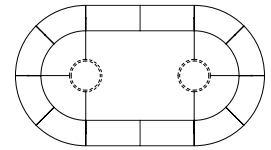


Tekiò Circular P8



A

Tekiò Oval P12



B



Tekiò ('adaptation' in Japanese) consists of a lighting system based on LED wstructures covered with paper modules. By combining various modules, Tekiò presents vertical pendant lamps, horizontal lines and circles.

In its design Anthony Dickens was inspired by the traditional Japanese paper lantern that is ubiquitous throughout Asia, and in its production Santa & Cole has worked with some of Japan's best craftsmen, combining traditional processes, high quality materials and new technologies.

Paper is a ductile, even malleable material; its folds makes it more resistant and time alters and improves its translucence.

General description:

White S&C metal structure with matte finish.

Washi Japanese paper shade.

(A) ø 140 cm / 55.1" for 8 lampshades.

(B) ø 250x140 cm / 98.4" x 55.1" para for 12 lampshades.

2 options of white S&C metallic canopy with power supply incorporated: circular or rectangular.

Methacrylate inner diffuser.

Electric cable length: 5 m / 196.8"

Light source:

Light source included.

(A) Strip of 1120 LEDs
Power system: 200 W / UL-150 W
Operating voltage: 24VDC
T^a Colour: 2.200K - 2.700K
IRC: 85
Lifetime: 40.000 h
Luminous flux: 8.084 lm

(B) Strip of 1776 LEDs
Power system: 320 W / UL-246 W
Operating voltage: 24VDC
T^a Colour: 2.200K - 2.700K

CRI : 85
Lifetime: 40.000 h
Luminous flux: 15.670 lm

Built-in LED
Suitable for dimming 1-10V / UL 0-10V. (Not included external dimmer switch 1-10V / UL 0-10V). Warm dim control 2200K- 2700K.
Energy efficiency class (E.E.C):
A++... A.
Suitable only for indoor use.
Always use this light source.

Input voltaje:
CE: 220 ~ 240 Vac.
UL: 120 ~ 277 Vac.
Japan: 100 Vac.
(50 Hz / 60 Hz). According to destination.

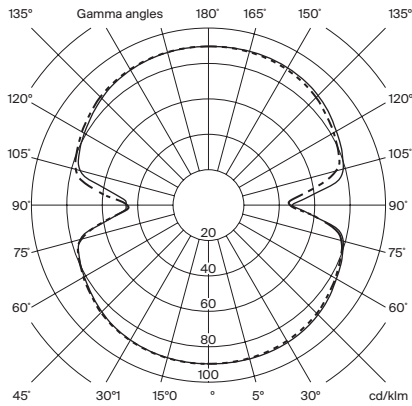
Approximate weight (unpacked):

(A) Tekiò Circular P8: 15 Kg / 33.1 lb
(B) Tekiò Oval P12: 20 Kg / 44.1 lb

Model A: Tekiò Circular P8

LOR 100%
 Max. I. 116 cd/klm (C90 G90)

C Halfplanes
 0° ——— 180°
 90° - - - - 270°



Regulations:

CE
 UNE-EN 60598
 UNE-EN 55015
 UNE-EN 60529

UL
 Dry location only
 UL-1598
 UL-8750
 E-336377

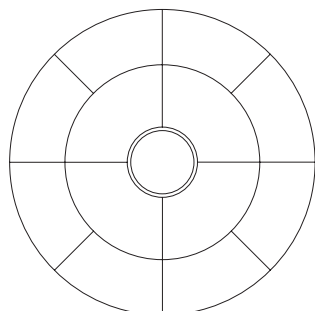
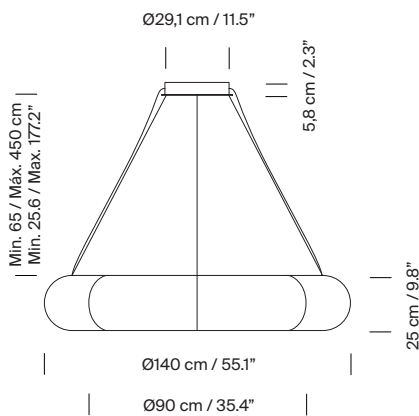
Maintenance:

Clean with a smooth cloth. Do not use ammonia, solvents or abrasive cleaning products. Do not expose to oil vapors or fats.

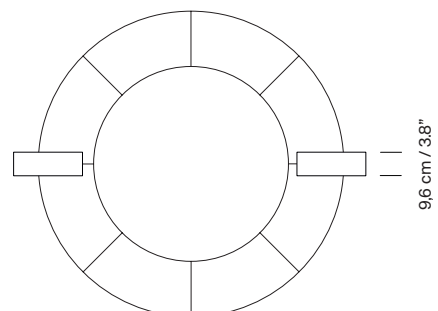
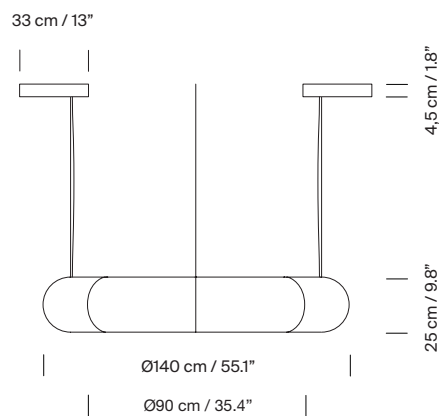
Others:

The lamp is delivered in different packages.
 The assembly instructions are delivered with the product.

Modelo A: Tekiò Circular P8. Circular canopy

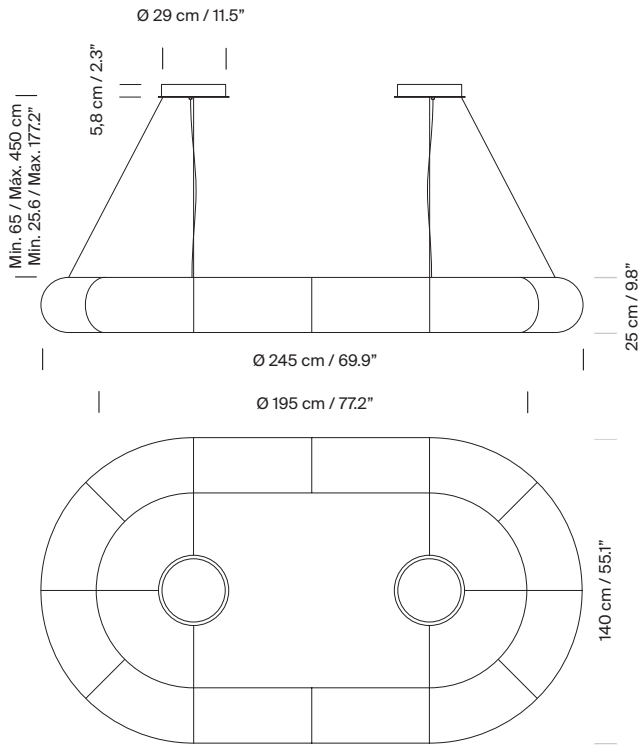


Rectangular canopy

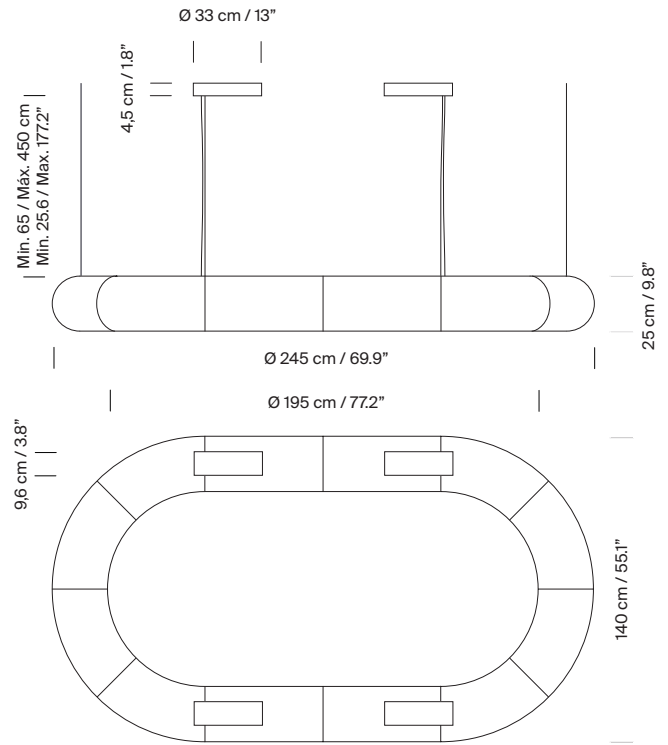


Model B: Tekiò Oval P12

Circular canopy



Rectangular canopy



Collection:
 Pendant lamps



Tekiò Vertical



Tekiò Horizontal



Tekiò Circular