

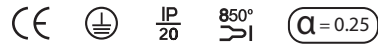
CIRC T-3815A

suspension lamp

Date	Type
Project	
Location	
Model #	Quantity
Specifier	

Description

Metallic suspension lamp providing direct and indirect light with circular body and P.E.T. acoustic panel. Shade is made of a satinated glass. Adjustable height. Possibility to create different compositions.



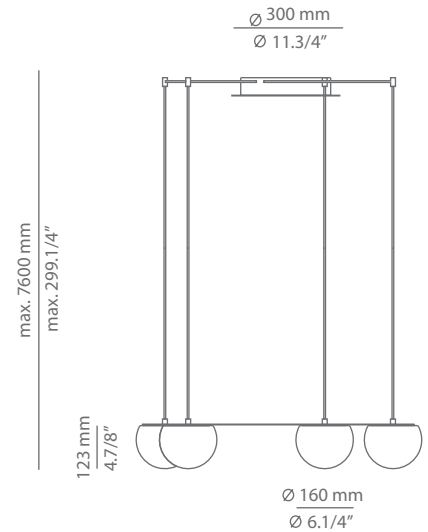
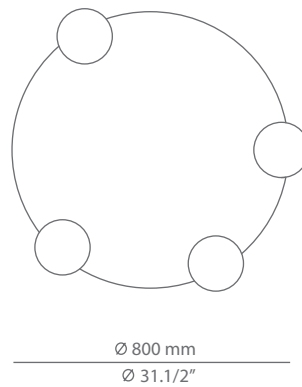
Pictures above might not show the specified dimensions or material. They are for illustration purposes only.

Ordering information

Code	Lamp	Canopy	Finish Acoustic panel
T-3815A <small>(with P.E.T. acoustic panel)</small>	LED 4x6,1W (led included) F (2700K / Ang 120° / >90 CRI / 350mA) / 230V / Typ* 4x565 lumens Dimmable Triac / Glass shade	26 BLK Black	<ul style="list-style-type: none"> 26 BLK Black CUSTOM

Product includes

Code	Description
113815263	1 round canopy
T-3815A	1 circ suspension
113815264	1 P.E.T. acoustic panel
671000043	2 drivers / Dimmable Triac



SPECIAL REQUIREMENTS

Custom versions

We offer custom plated or RAL finishes. Alternate lamping and sizes available for projects. Consult our offices.

Special instructions

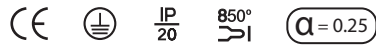
CIRC T-3816A

suspension lamp

Date	Type
Project	
Location	
Model #	Quantity
Specifier	

Description

Metallic suspension lamp providing direct and indirect light with circular body and P.E.T. acoustic panel. Shade is made of a satinated glass. Adjustable height. Possibility to create different compositions.



Pictures above might not show the specified dimensions or material. They are for illustration purposes only.

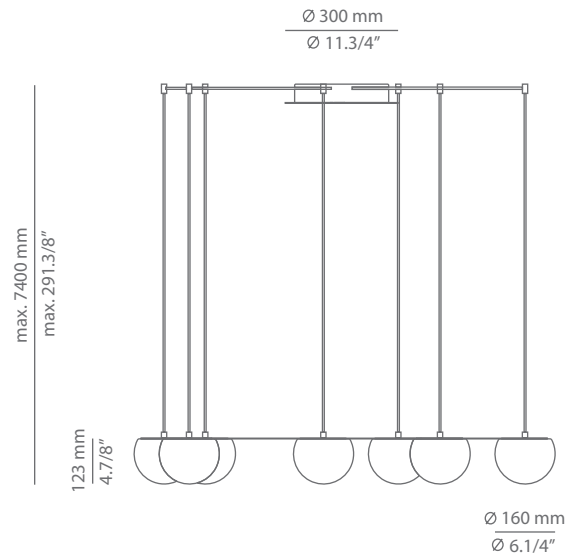
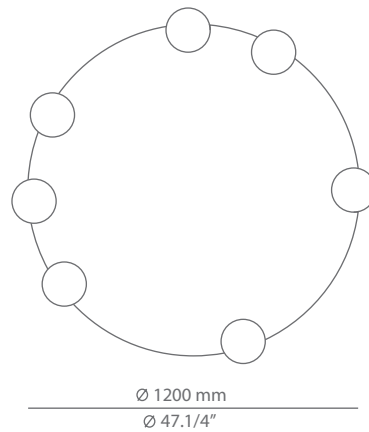
Ordering information

Code	Lamp
T-3816A <small>(with P.E.T. acoustic panel)</small>	LED 7x6,1W (led included) F (2700K / Ang 120° / >90 CRI / 350mA) / 230V / Typ* 7x565 lumens Dimmable Triac / Glass shade

Canopy	Finish Acoustic panel
26 BLK Black	26 BLK Black CUSTOM

Product includes

Code	Description
113815263	1 round canopy
T-3816A	1 circ suspension
113816264	1 P.E.T. acoustic panel
671000034	1 driver / Dimmable Triac
671000043	2 drivers / Dimmable Triac



SPECIAL REQUIREMENTS

Custom versions

We offer custom plated or RAL finishes. Alternate lamping and sizes available for projects. Consult our offices.

Special instructions



ESTILUZ, S.A.
Carretera d'Ogassa, s/n
17860 Sant Joan de les Abadesses
T+34 972 720 125
F+34 972 720 796

estiluz@estiluz.com
www.estiluz.com

CIRC

T-3815A / T-3816

suspension lamp

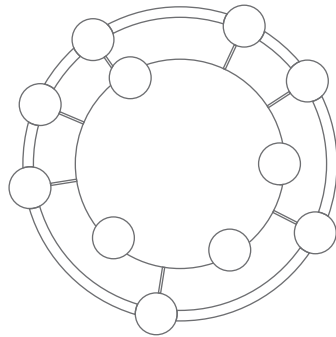
Date	Type
Project	
Location	
Model #	Quantity
Specifier	

Possible configuration with T-3815A and T-3816

See CIRC T-3815 / T-3816 spec sheet for more information about T-3816.

See CIRC T-3810A / T-3811A spec sheet for combinations with ceiling lights and acoustic panels.

Code	Composition includes
R12.1SPA1MP	1 round recessed canopy 113820263
circ composition	1 unit of T-3815A
	1 unit of T-3816
	1 P.E.T acoustic panel 113815264
	1 remote driver 671000034 / Dimmable Triac
	4 remote drivers 671000043 / Dimmable Triac



Finish canopy

26 BLK Black

Finish panel

26 BLK Black

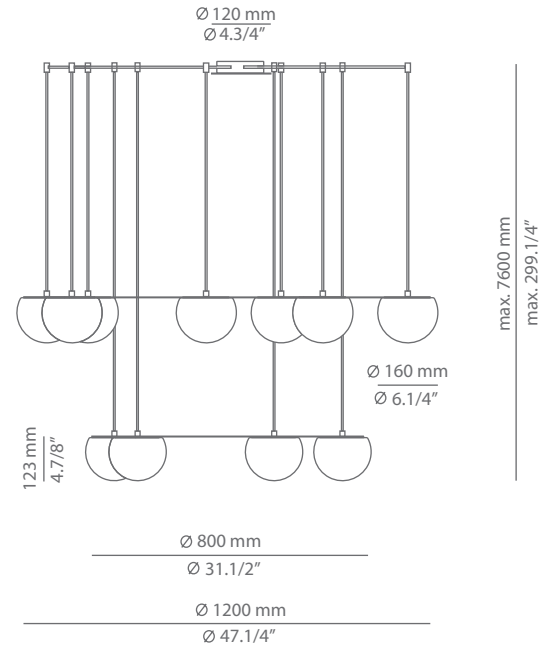
CUSTOM

Finish ring

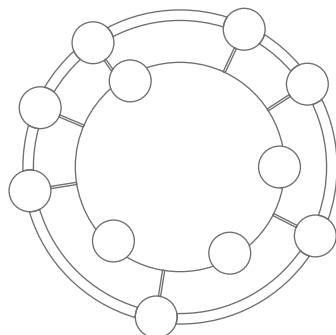
26 BLK Black

61 S GLD Satin Gold

CUSTOM



Code	Composition includes
R30.1SPA1MP	1 round canopy 113815263
circ composition	1 unit of T-3815A
	1 unit of T-3816
	1 P.E.T acoustic panel 113815264
	1 driver 671000034 / Dimmable Triac
	4 drivers 671000043 / Dimmable Triac



Finish canopy

26 BLK Black

Finish panel

26 BLK Black

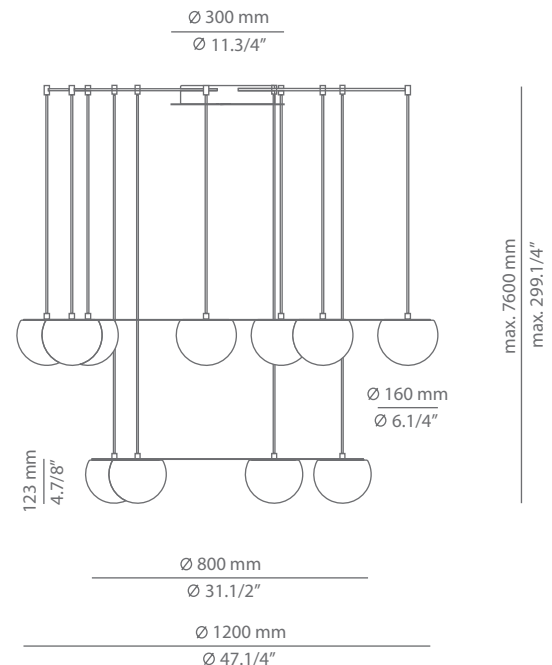
CUSTOM

Finish ring

26 BLK Black

61 S GLD Satin Gold

CUSTOM



CIRC


T-3815A / t-3811

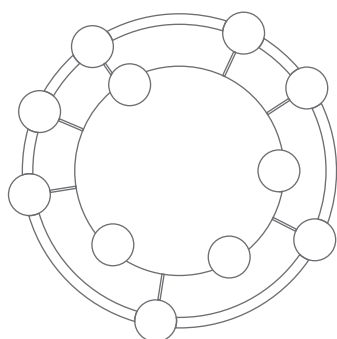
suspension lamp / ceiling light

Date	Type
Project	
Location	
Model #	Quantity
Specifier	

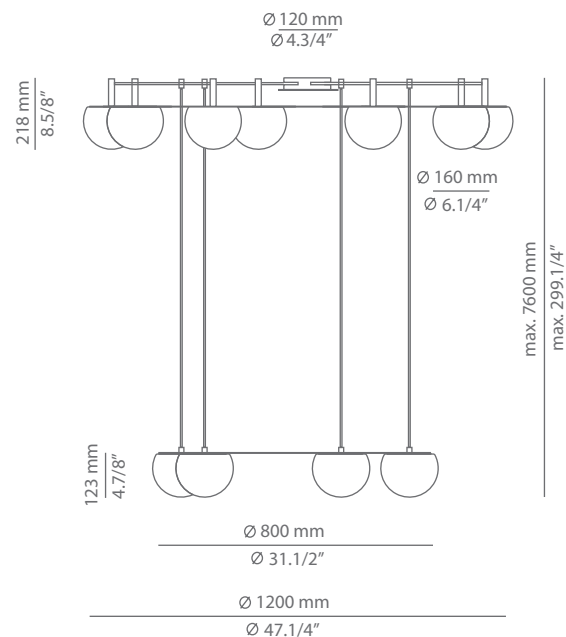
Many possible configurations with T-3815A and t-3811

See CIRC t-3810 / t-3811 spec sheet for more information about Circ t-3811 ceiling light.

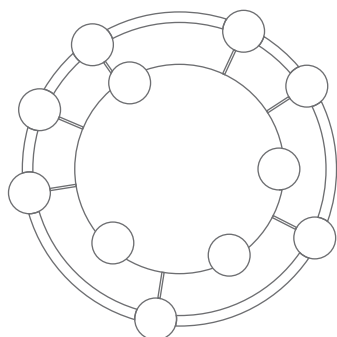
Code	Composition includes
<p>R12.1SPA1MF</p> <p>circ composition</p>  <p>Ø 45mm drill on dry wall</p>	<p>1 round recessed canopy 113820263</p> <p>1 unit of t-3811</p> <p>1 unit of T-3815A</p> <p>1 P.E.T acoustic panel 113815264</p> <p>1 remote driver 671000034 / Dimmable Triac</p> <p>4 remote drivers 671000043 / Dimmable Triac</p>



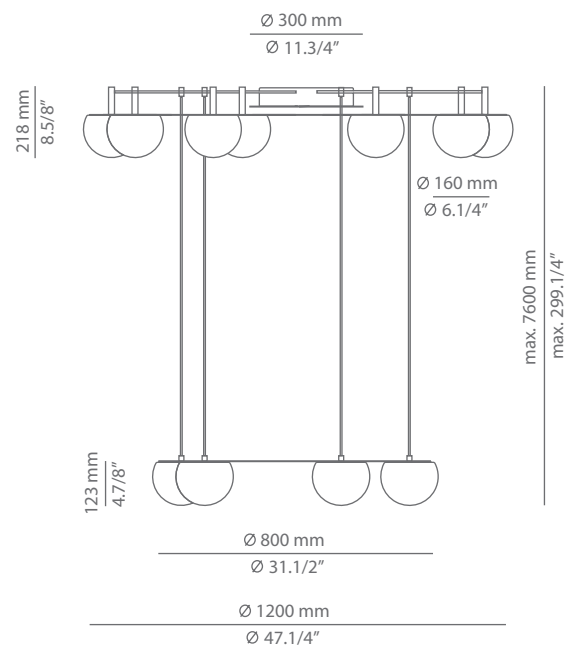
Finish canopy	
26 BLK	Black
Finish panel	
26 BLK	Black
CUSTOM	
Finish ring	
26 BLK	Black
61 S GLD	Satin Gold
CUSTOM	



Code	Composition includes
<p>R30.1SPA1MF</p> <p>circ composition</p>	<p>1 round canopy 113815263</p> <p>1 unit of t-3811</p> <p>1 unit of T-3815A</p> <p>1 P.E.T acoustic panel 113815264</p> <p>1 driver 671000034 / Dimmable Triac</p> <p>4 drivers 671000043 / Dimmable Triac</p>



Finish canopy	
26 BLK	Black
Finish panel	
26 BLK	Black
CUSTOM	
Finish ring	
26 BLK	Black
61 S GLD	Satin Gold
CUSTOM	



CIRC

T-3816 / t-3810A
suspension lamp / ceiling light

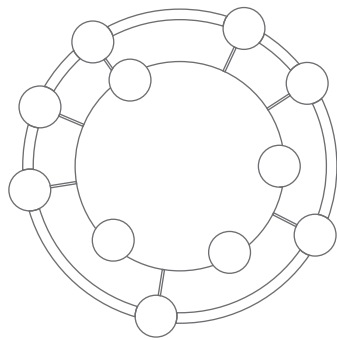
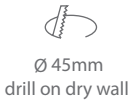
Date	Type
Project	
Location	
Model #	Quantity
Specifier	

Many possible configurations with T-3816 and / t-3810A

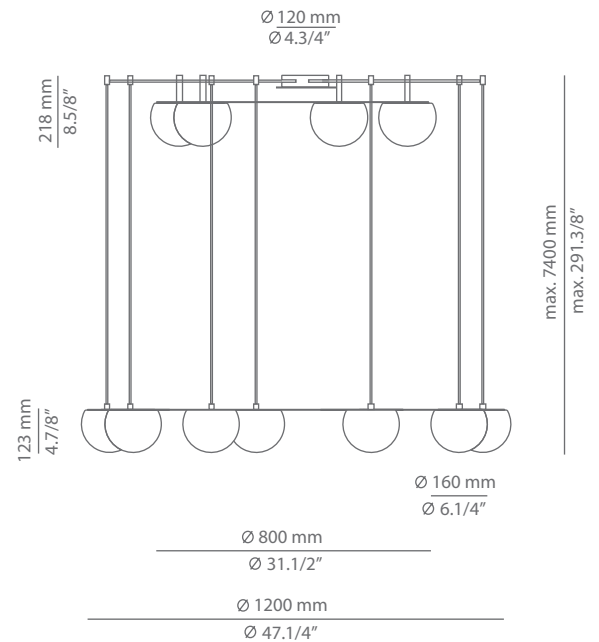
See CIRC T-3815 / T-3816 spec sheet for more information about T-3816.

See CIRC t-3810A / t-3811A spec sheet for more information about Circ t-3810A ceiling light.

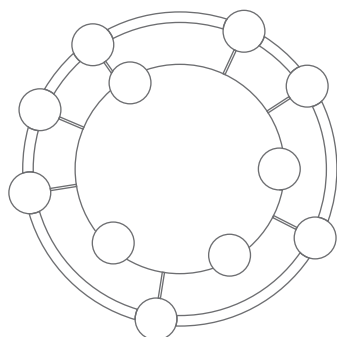
Code	Composition includes
R12.1SFA1MP	1 round recessed canopy 113820263
circ composition	1 unit of t-3810A
	1 unit of T-3816
	1 P.E.T acoustic panel 113815264
	1 remote driver 671000034 / Dimmable Triac
	4 remote drivers 671000043 / Dimmable Triac



Finish canopy	
26 BLK	Black
Finish panel	
26 BLK	Black
CUSTOM	
Finish ring	
26 BLK	Black
61 S GLD	Satin Gold
CUSTOM	



Code	Composition includes
R30.1SFA1MP	1 round canopy 113815263
circ composition	1 unit of t-3810A
	1 unit of T-3816
	1 P.E.T acoustic panel 113815264
	1 driver 671000034 / Dimmable Triac
	4 drivers 671000043 / Dimmable Triac



Finish canopy	
26 BLK	Black
Finish panel	
26 BLK	Black
CUSTOM	
Finish ring	
26 BLK	Black
61 S GLD	Satin Gold
CUSTOM	

