

Technical Details

Model

BARI



Guarantee

Frame and seat suspension
Lifetime guarantee

Rest of Pieces 2 years*

*6-month guaranty extension by activating it on the web

Technical Information

Frame	Frame of pine wood and MDF
Seat Suspension	Lifetime guarantee
Back Suspension	Webbing 80mm
Seat Foam	Polyurethane 35kg+fibre+Polyurethane 35kg
Seat Firmness	Medium Foam (white) * + soft (grey)
Back Cushions	Fibre fibersilk 100%
Loose Cushions	Fibre fibersilk 100%
Legs Options	Wood 10cm or 14cm / Metal 15cm
Colours	Natural, Walnut, Wenge, Silver, Black / Chrome, anthracite Grey

Comments: * Would you like to know more?
Check the FAQs section in our website

Cushions Measures

Magic Bari	40 x 30
Butterfly H'rest	45 x 38 cm

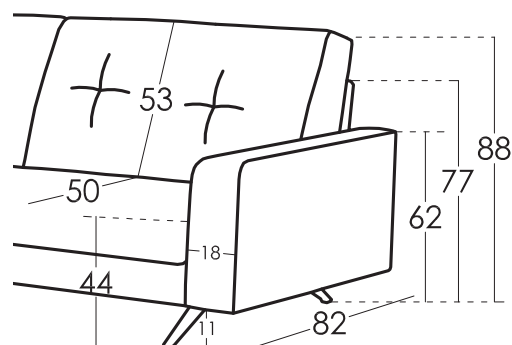
Packaging

Shrink wrapping plastic packaging with protective corner brackets

Measures

Width	x cm
Height	88 cm
Depth	82 cm
Seat Height	44 cm
Arm Height	62 cm
Back Height	53 cm
Depth when open	- cm
Net Weight	- kg
Gross Weight	- kg
Volume m3	- m3

Scheme



Options



Types of Standard Foam

Hardness: Soft: Grey colour 35Kg	Hardness: Medium: White colour 35Kg	Hardness: Hard: Green colour 30Kg
----------------------------------------	-------------------------------------------	-----------------------------------------

Types of Fire Retardant Foam

Hardness: Medium: Grey colour 41Kg	Hardness: Soft: White colour 36Kg
------------------------------------------	-----------------------------------------

* You can request a different seat hardness from the standard of the model with a small price increase

BARI is manufactured by Fama Sofas, whose quality system is certified by AENOR and IQNET, according to ISO 9001-2008, with certificate number ER 0790/1999.

All models have passed the tests required for granting the quality control label from Aidima-Cetem laboratories.



Enjoy the new design
made in
Spain

fama