

Продажа дизайнерской мебели, света и аксессуаров по всей России

8 (800) 500-70-36
hello@barcelonadesign.ru
www.barcelonadesign.ru

Model

ROXANE

Technical Information



Frame	Frame of pine wood and MDF
Seat Suspension	N.E.A. 10 Years Guarantee
Back Suspension	Webbing 80mm
Seat Foam	35Kg foam on seat cushions + fibre
Seat Firmness	Medium Foam (white) *
Back Cushions	Fibre fibersilk 100%
Loose Cushions	Fibre fibersilk 100%
Legs Options	Metal or wood
Colors	Natural, cherry, walnut, wengue

Guarantee

Frame	Lifetime warranty
Seat Suspension	10 years
Rest of Pieces	2 years*

*6-month guaranty extension by activating it on the web

Comments: * You would like to know more? Check the FAQs section in our website

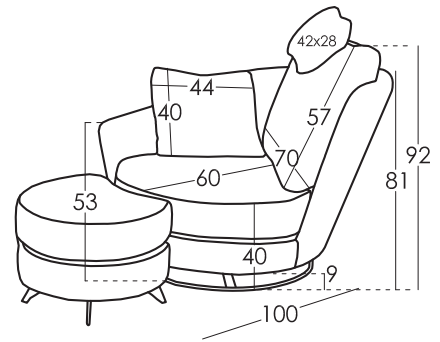
Cushions Measures

Large cushion	70x57
Medium cushion	44x40
Butterfly cushion	42x28

Measures

Width	113 cm
Height	92 cm
Depth	100 cm
Seat Height	45 cm
Arm Height	53/80 cm
Back Height	57 cm
Depth when open	- cm
Net Weight	kg
Gross Weight	36 kg
Volume m3	0.50 m3

Scheme



Packaging

Shrink wrapping plastic packaging with protective corner brackets

Options



Types of Standard Foam

Hardness: Soft: Grey colour 30Kg	Hardness: Medium: White colour 35Kg	Hardness: Hard: Green colour 30Kg
--	---	---

Types of Fire Retardant Foam

Hardness: Medium: Yellow colour 33Kg	Hardness: Soft: White colour 36Kg
--	---

ROXANE is manufactured by Fama Sofas, whose quality system is certified by AENOR and IQNET, according to ISO 9001-2008, with certificate number ER 0790/1999.

All models have passed the tests required for granting the quality control label from Aidima-Cetem laboratories.

* You can request a different seat hardness from the standard of the model with a small price increase

