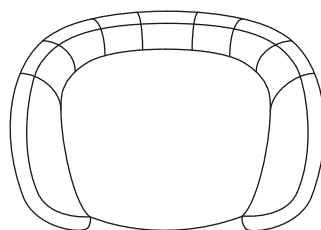
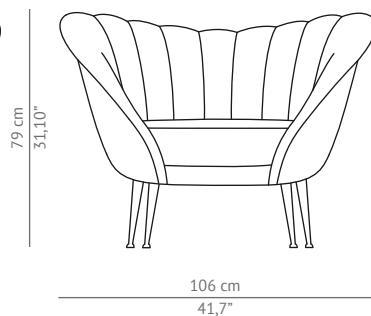
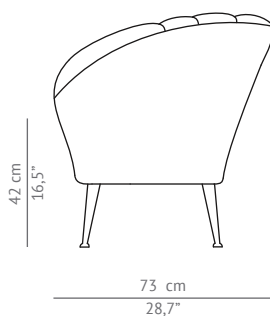


CASEGOODS UPHOLSTERY LIGHTING RUGS ART ACCESSORIES



### ANDES | ARMCHAIR

The grandeur of the Andes' mountains is only matched by the surviving skills of the people who strive there. ANDES Armchair is a mid-century modern furniture piece that honors this strength. With polished brass legs and cotton velvet fabric, it adds a strong graceful piece to any home décor.



#### DIMENSIONS

WIDTH	106 cm   41,7"
DEPTH	73 cm   28,7"
HEIGHT	79 cm   31,10"
SEAT HEIGHT	42 cm   16,5"
SEAT DEPTH	56 cm   22"
ARMREST HEIGHT	66 cm   24,01"

#### MATERIALS

FABRIC	Cotton velvet
FABRIC REFERENCE	BB MOSS I - Colour 42
FABRIC NEEDED	7 mts   27,55" (Standard width 1,40mts   55")
LEGS	Matte aged brass

#### FABRIC / LEATHER REQUEST

COM	7 mts   275,59" (Standard width 1,40mts   55")
COL	107,8 sq ft

#### PACKAGING

DIMENSIONS	W 113 cm   44,50" D 80 cm   31,50" H 86 cm   33,85"
VOLUME	1,76 m <sup>3</sup>   62,15 ft <sup>3</sup>
WEIGHT	40kg   88,20 lbs

#### LEAD TIME

Production time is between 6 to 8 weeks for BRABBU collections.  
Delivery time is not included.

All of our furniture can be made to measure and it is available in different finishes.  
Please note that the colours and materials shown are for reference only and small variations may occur.