

Panton

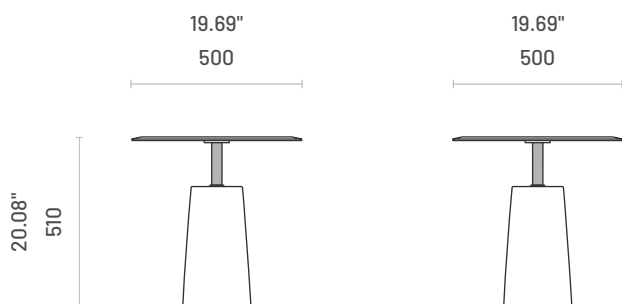
COFFEE & SIDE TABLES

Panton is a superb table with a cozy style, generous shapes, and curvaceous design. The round glass top is welded to the conical wood base serving for various functions that can be included in both domestic settings and public venues. Along the piece, you will find gentle stainless steel details that can embellish it and take it to another level. Available in coffee and side table dimensions, this is a versatile piece that can be customized in its elements.

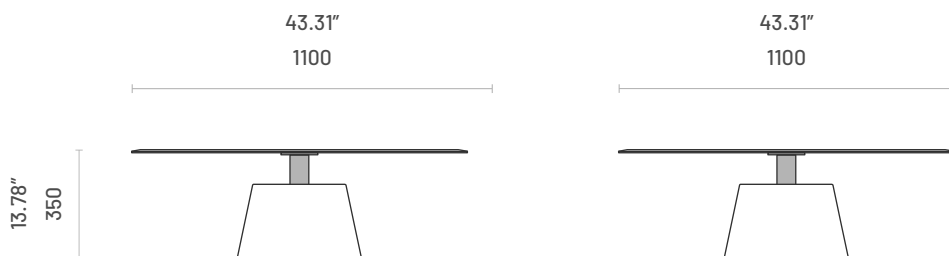


Specifications

Dimensions (Side Table)



Dimensions (Coffee Table)



Technical Information

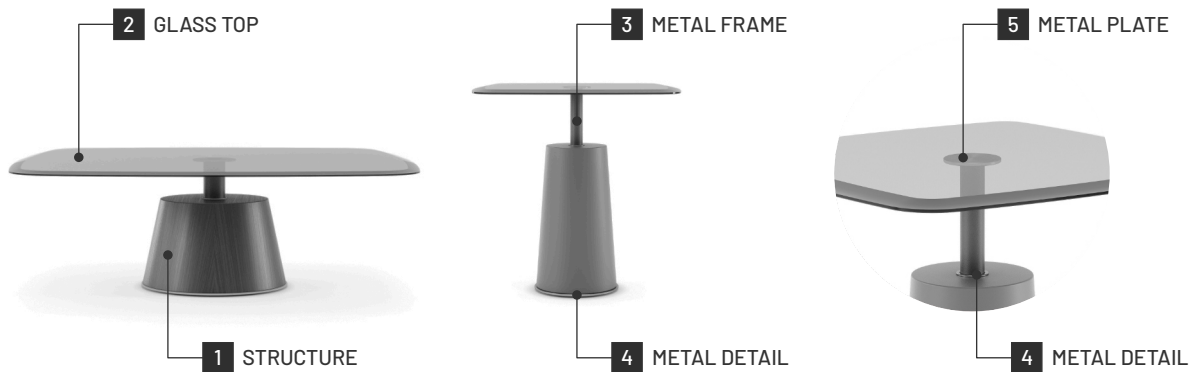
Frame

Structure: MDF, Wood Veneer and Steel

Top: Glass

Materials and Finishes

Overview



Available Finishes

	1	2	3	4	5
Wood Veneers					
Natural Oak	●	–	–	–	–
Natural Walnut	●	–	–	–	–
Fumé Eucalyptus	●	–	–	–	–
Fumé Oak	●	–	–	–	–
Lacquers					
Bone	●	–	–	–	–
Taupe	●	–	–	–	–
Olive	●	–	–	–	–
Syrah	●	–	–	–	–
Ocean	●	–	–	–	–
Black	●	–	–	–	–
Glasses and Mirrors					
Clear Glass	–	●	–	–	–
Smoked Glass	–	●	–	–	–
Bronze Glass	–	●	–	–	–
Clear Mirror	–	–	–	–	–
Smoked Mirror	–	–	–	–	–
Bronze Mirror	–	–	–	–	–
Metals					
White Texturized	–	–	–	●	–
Black Texturized	–	–	●	●	–
Silver Polished	–	–	–	●	–
Gold Polished	–	–	–	●	–
Gold Brushed	–	–	–	●	–
Rose Gold Matte	–	–	–	●	–
Onyx Polished	–	–	–	●	–
Smoky Black Polished	–	–	–	●	–
Metal Plate					
Silver Brushed	–	–	–	–	●

Packaging Information

Item	Number of Packages	Packaging Dimensions	Packaging Weight	
Side Table	1	Width: 600mm (23.62") Depth: 600mm (23.62") Height: 570mm (22.44") Volume: 0.205m ³ (7.247ft ³)	19.00kg	41.88lb
Coffee Table	1	Width: 1880mm (46.46") Depth: 1880mm (46.46") Height: 420mm (16.54") Volume: 1.48m ³ (52.42ft ³)	97.50kg	214.95lb