

x2



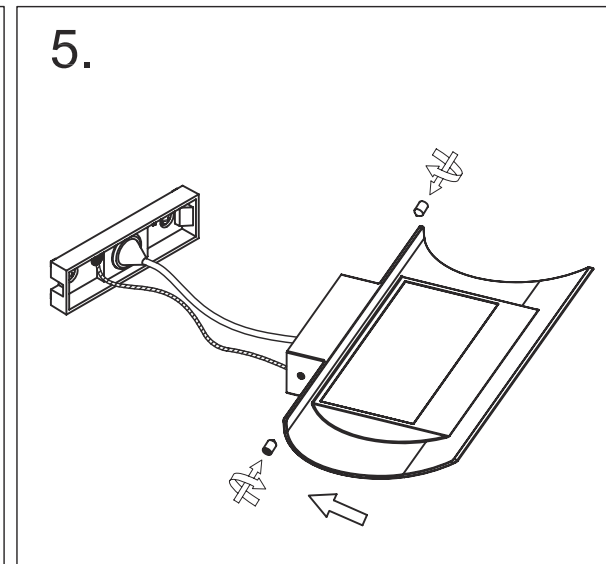
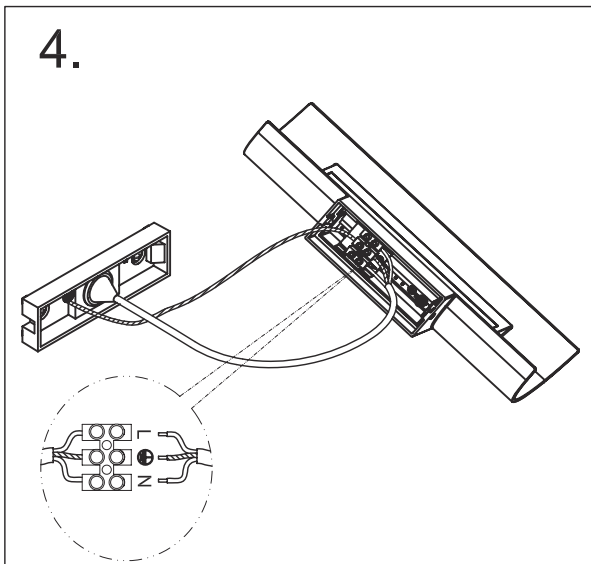
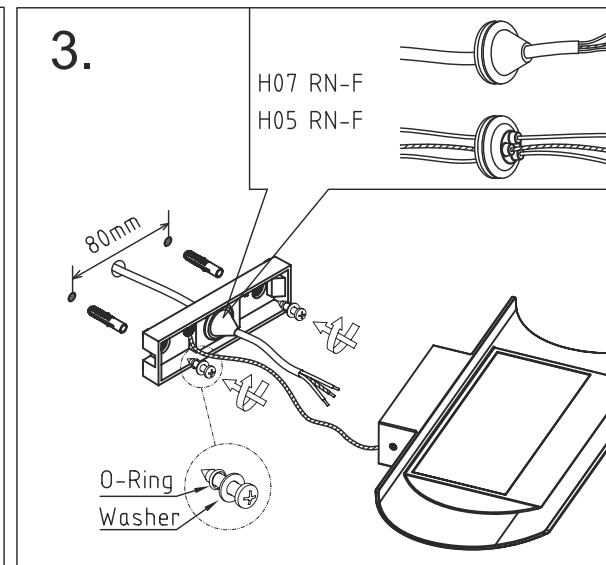
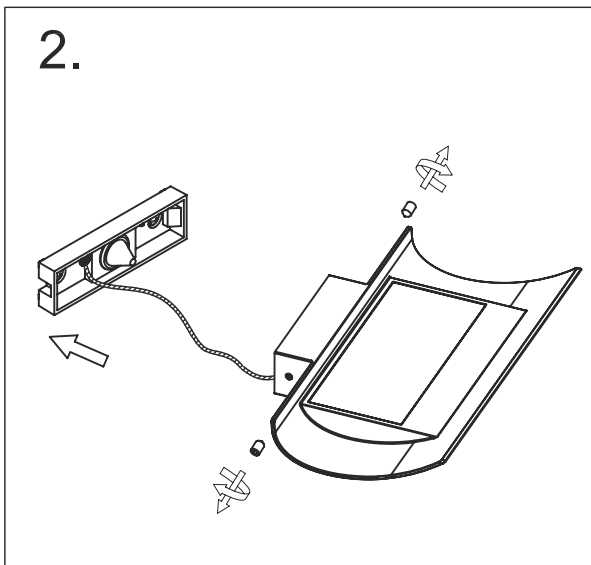
x2



x1



x1



LIGHT SOURCE - FUENTE DE LUZ

SMD LED 16W 2700K 1200lm INCL.

TECHNICAL FEATURES - CARACTERÍSTICAS TÉCNICAS



IP54

DRIVER BUILT-IN

220V-240V~50Hz/60Hz

