







Blokinline

Architectural
lighting

Lighting
Systems

LED	Cree / Tridonic
CCT	2700K, 3000K, 4000K
Color Consistency	3x3 SDCM (MacAdam)
CRI (Ra)	≥ 90%
Driver	Remote or Surface driver
Dimming	-
Bluetooth Control	Casambi 
Voltage	Input voltage: 230V Working voltage: 48V
Power	Depending on LED selection
Reflector Material	Aluminium coat
Diffuser Material	PMMA
Material	Aluminium
Finishes	White (matte)  Black (matte)  Brass 
Approvals	CE, EAC, cUL
Lifetime	50.000h (optimum work conditions)
Warranty	See product warranty details
IES Files	Available on the website
LDT Files	Available on the website
Modifications	Customization is possible. Custom finishes available
Mounting	Tool-friendly, click-lock system, tamper resistant. Aircraft cable suspension standard length 250 cm
Maintenance	Replacement LEDs and drivers available







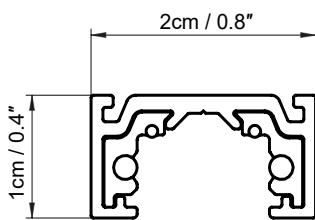




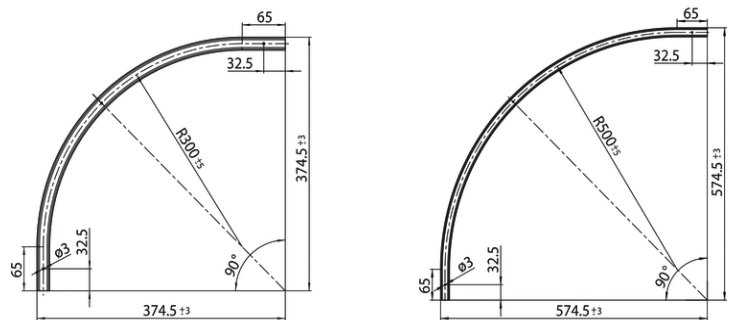

Description

Blokinline is a compact dimmable track (6 mm x 16 mm) operating at 48V and available in both surface-mounted and suspended versions. It consists of two opal glass spheres (100/150 mm), projectors, 2 and 4 spotlight lighting modules with reflectors of different beam angles (38°/60°) and linear lighting elements. We can move all the individual high lumen output elements along the track. The light sources are available in bronze, brass, black, and white finishes, while the track is always displayed in black.

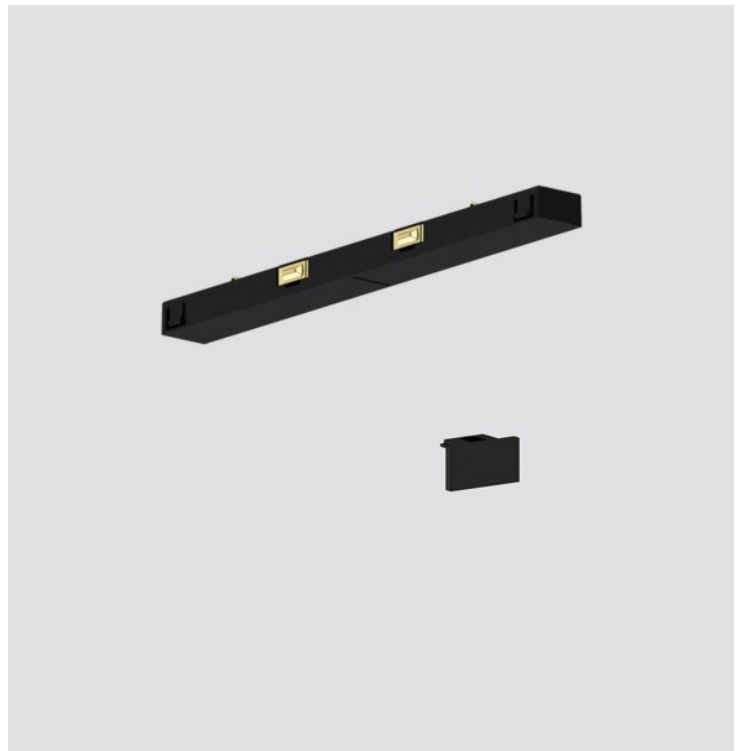
BLOKINLINE PROFILE



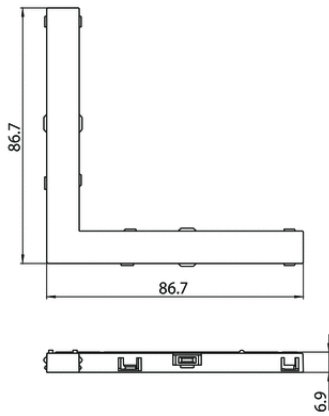
BLOKINLINE PROFILE R300-R500



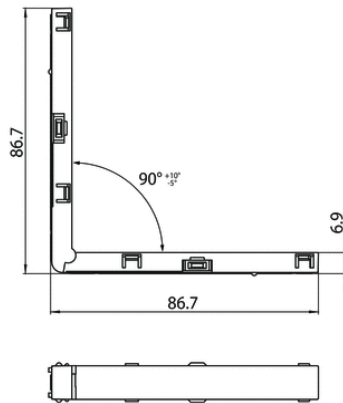
CODE	LAMP	LIGHT SOURCE
768930	BLOKINLINE POWER SUPPLY	
768999	BLOKINLINE DRIVER ON/OFF 100W	48V 100W ON/OFF
768910	BLOKINLINE SURFACE PROFILE BLACK (1M)	
768910C	BLOKINLINE SURFACE PROFILE R300 BLACK	
768911C	BLOKINLINE SURFACE PROFILE R500 BLACK	



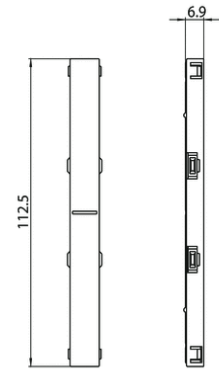
BLOKINLINE 90° H UNION



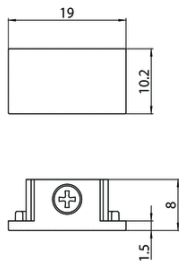
BLOKINLINE 90° V UNION



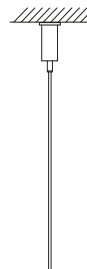
BLOKINLINE 180° UNION



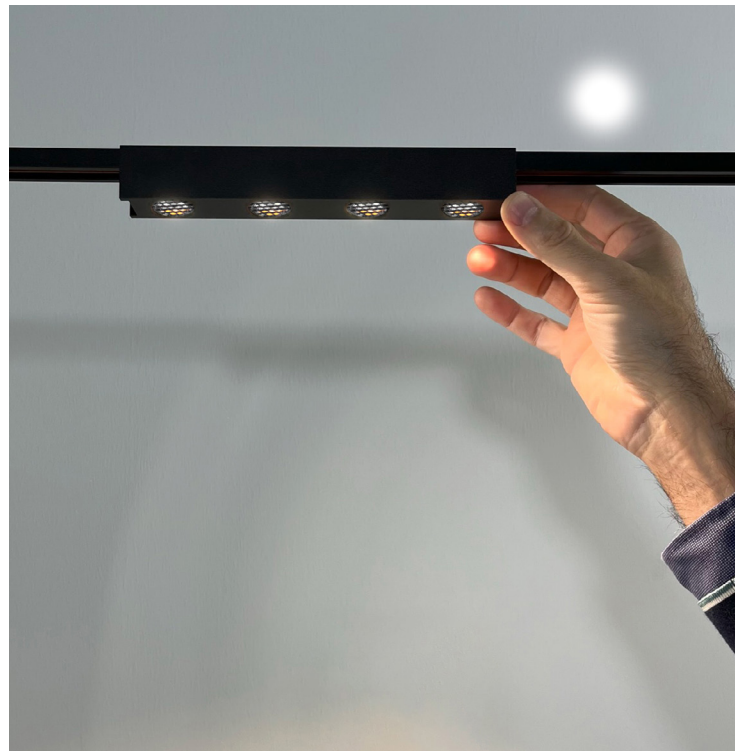
BLOKINLINE END CAP



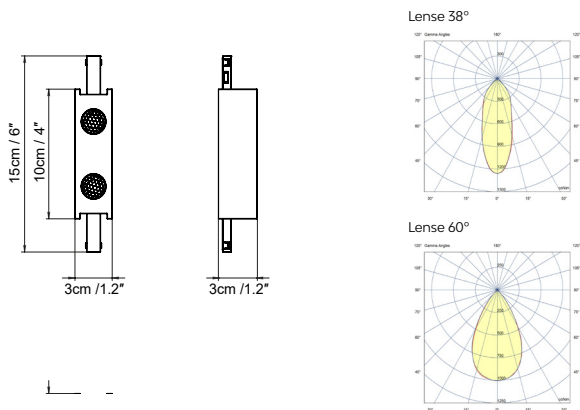
BLOKINLINE SINGLE SUSPENSION



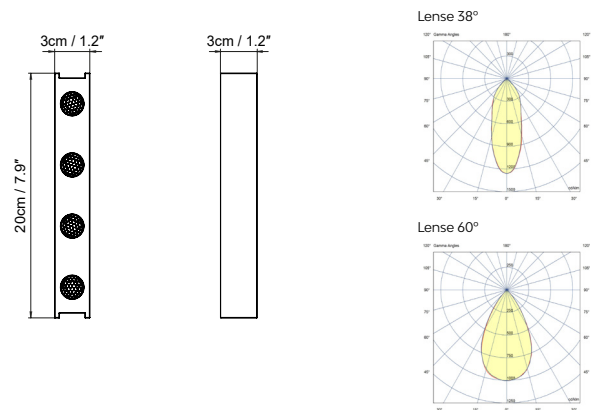
CODE	LAMP	LIGHT SOURCE
768940	BLOKINLINE END CAP	-
951990	BLOKINLINE SINGLE SUSPENSION	-
768960	BLOKINLINE 90° H UNION	-
768970	BLOKINLINE 90° V UNION	-
768980	BLOKINLINE 180° UNION	-



BLOKINLINE MODULE 2



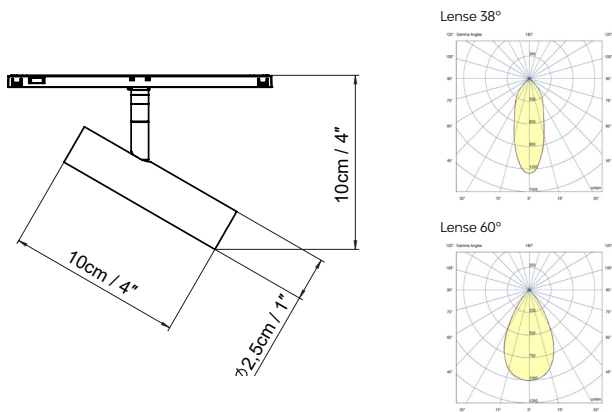
BLOKINLINE MODULE 4



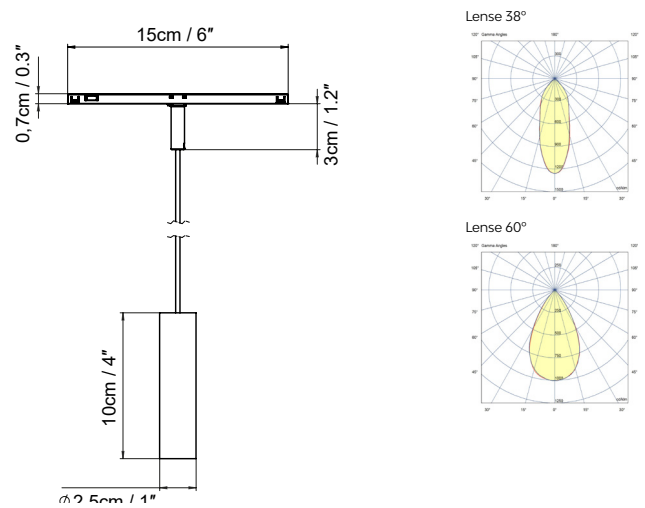
CODE	LAMP	LIGHT SOURCE
768500	BLOKINLINE MODULE 2 38° BLACK	LED 2 x 4,5W 1092lm 250mA 2700K CRI≥90 230V * 3000K and 4000K available under request
768501	BLOKINLINE MODULE 2 38° WHITE	
768502	BLOKINLINE MODULE 2 38° BRASS	
768510	BLOKINLINE MODULE 2 60° BLACK	
768511	BLOKINLINE MODULE 2 60° WHITE	
768512	BLOKINLINE MODULE 2 60° BRASS	
768600	BLOKINLINE MODULE 4 38° BLACK	LED 4 x 4,5W 2184lm 250mA 2700K CRI≥90 230V * 3000K and 4000K available under request
768601	BLOKINLINE MODULE 4 38° WHITE	
768602	BLOKINLINE MODULE 4 38° BRASS	
768610	BLOKINLINE MODULE 4 60° BLACK	
768611	BLOKINLINE MODULE 4 60° WHITE	
768612	BLOKINLINE MODULE 4 60° BRASS	



BLOKINLINE SPOT C



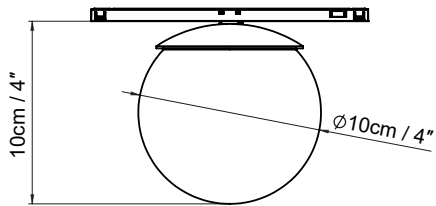
BLOKINLINE SPOT S



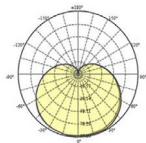
CODE	LAMP	LIGHT SOURCE
768300	BLOKINLINE SPOT S 38° BLACK	LED 3W 395lm 170mA 2700K CRI≥93 230V * 3000K and 4000K available under request
768301	BLOKINLINE SPOT S 38° WHITE	
768302	BLOKINLINE SPOT S 38° BRASS	
768310	BLOKINLINE SPOT S 60° BLACK	
768311	BLOKINLINE SPOT S 60° WHITE	
768312	BLOKINLINE SPOT S 60° BRASS	
768400	BLOKINLINE SPOT C 38° BLACK	LED 3W 395lm 170mA 2700K CRI≥93 230V * 3000K and 4000K available under request
768401	BLOKINLINE SPOT C 38° WHITE	
768402	BLOKINLINE SPOT C 38° BRASS	
768410	BLOKINLINE SPOT C 60° BLACK	
768411	BLOKINLINE SPOT C 60° WHITE	
768412	BLOKINLINE SPOT C 60° BRASS	



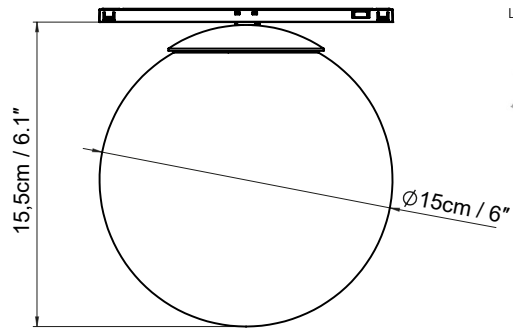
BLOKINLINE SPHERE 100



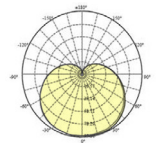
Light Distribution Curve



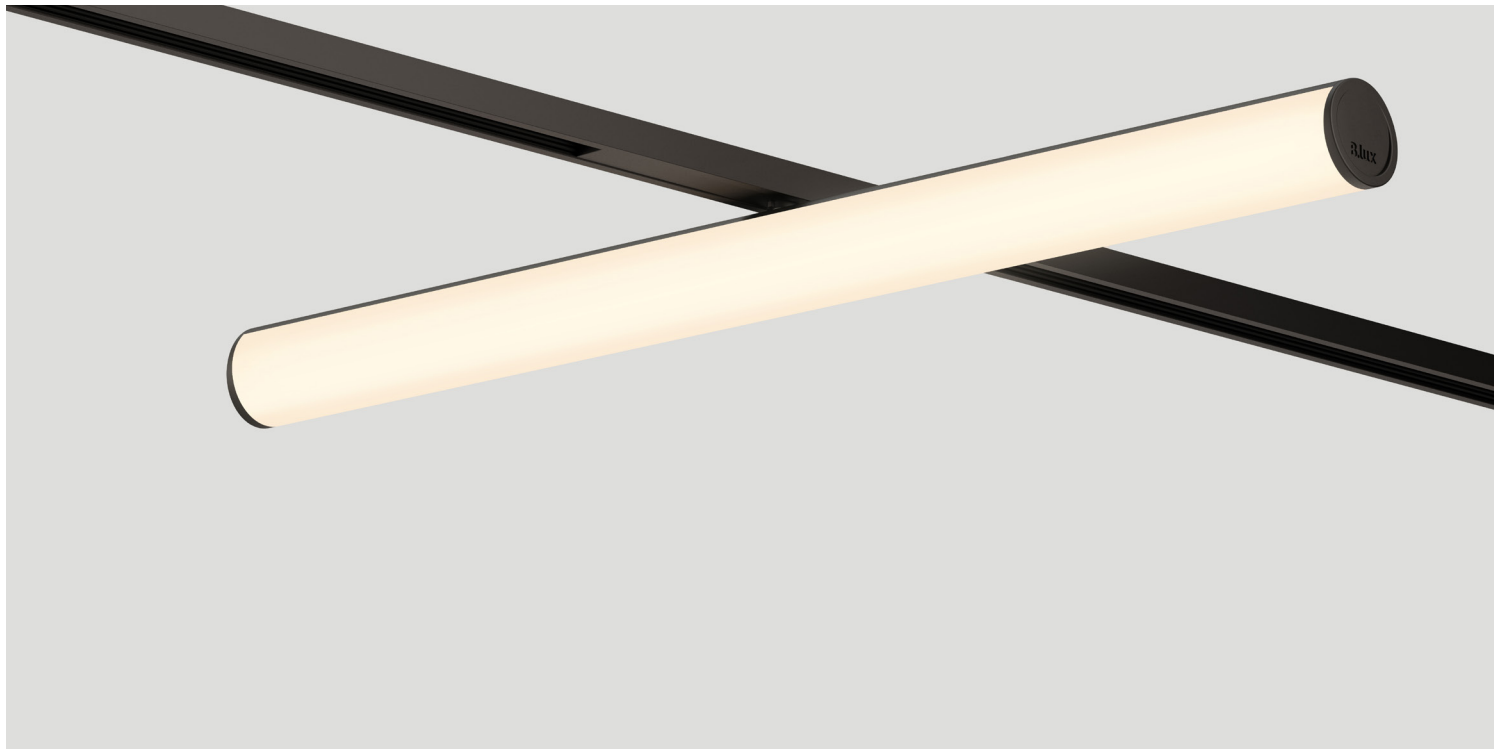
BLOKINLINE SPHERE 150



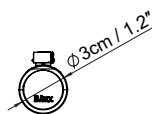
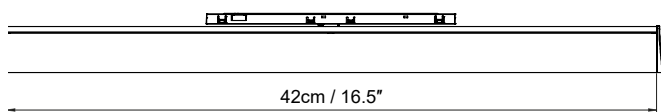
Light Distribution Curve



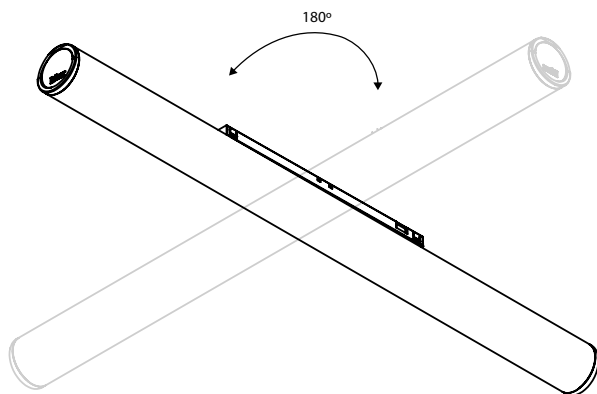
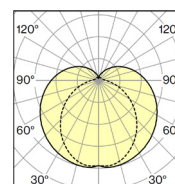
CODE	LAMP	LIGHT SOURCE
768110	BLOKINLINE SPHERE S100 OPAL BLACK	LED 3W 395lm 170mA 2700K CRI≥93 230V * 3000K and 4000K available under request
768111	BLOKINLINE SPHERE S100 OPAL WHITE	
768150	BLOKINLINE SPHERE S150 OPAL BLACK	
768151	BLOKINLINE SPHERE S150 OPAL WHITE	
768153	BLOKINLINE SPHERE S150 SMOKE	
768210	BLOKINLINE SPHERE C100 OPAL BLACK	LED 3W 395lm 170mA 2700K CRI≥93 230V * 3000K and 4000K available under request
768211	BLOKINLINE SPHERE C100 OPAL WHITE	
768250	BLOKINLINE SPHERE C150 OPAL BLACK	
768251	BLOKINLINE SPHERE C150 OPAL WHITE	
768253	BLOKINLINE SPHERE C150 SMOKE	



BLOKINLINE LEDLINE 400

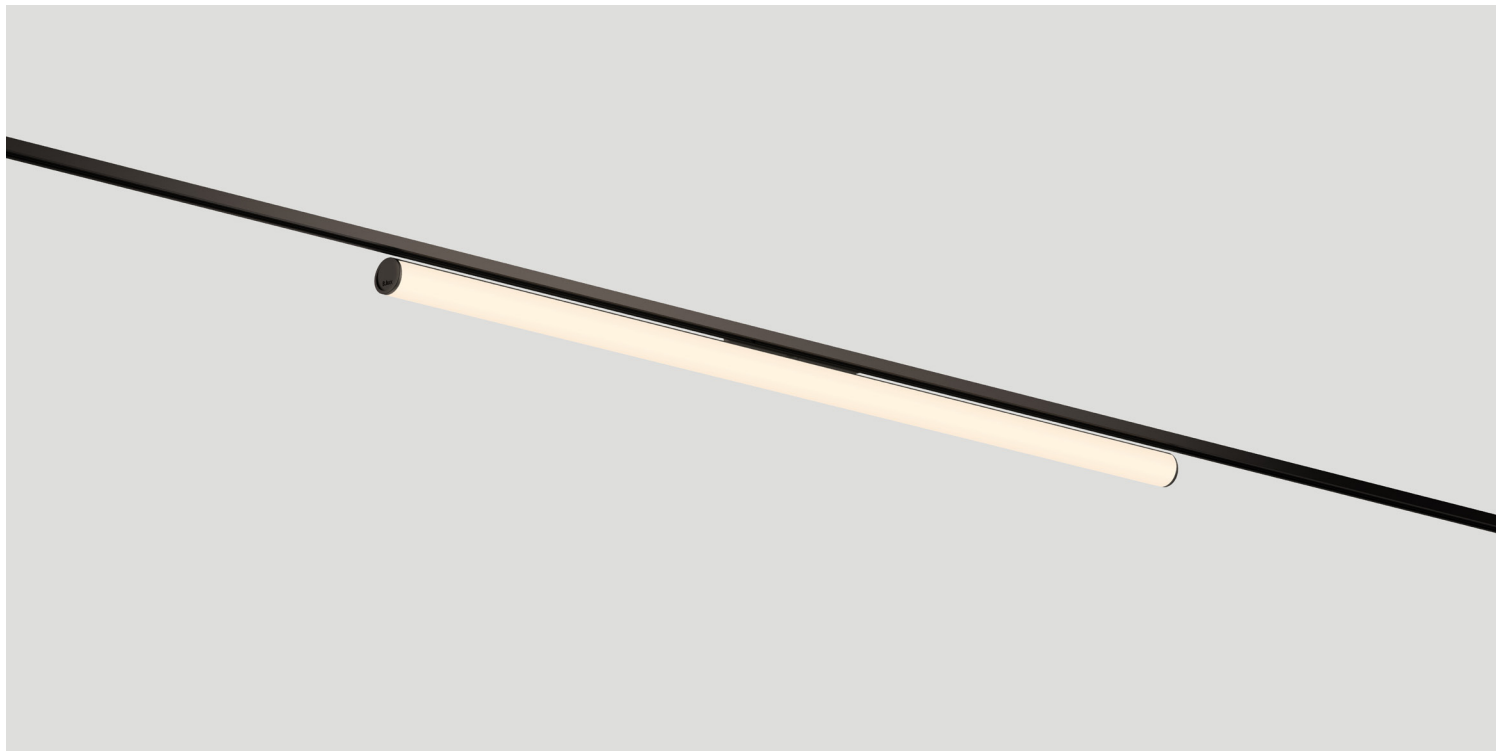


Light Distribution Curve

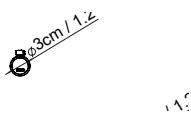
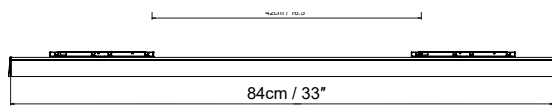


CODE	LAMP	LIGHT SOURCE
768700	BLOKINLINE LEDLINE 400	LED 21W 720lm 48V 2700K CRI≥90 230V DIM

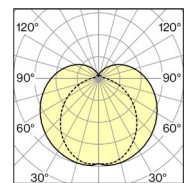
* 3000K and 4000K available under request



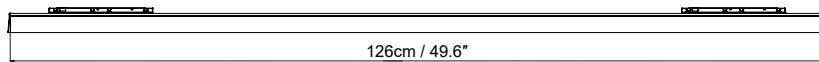
BLOKINLINE LEDLINE 900



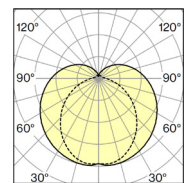
Light Distribution Curve



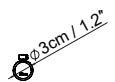
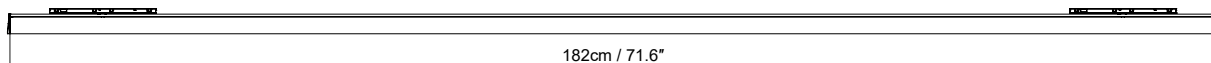
BLOKINLINE LEDLINE 1200



Light Distribution Curve

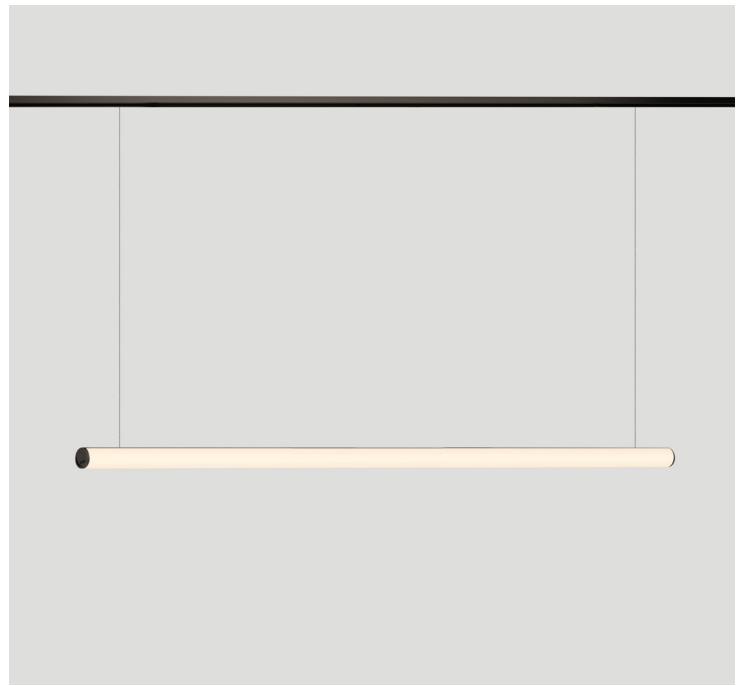
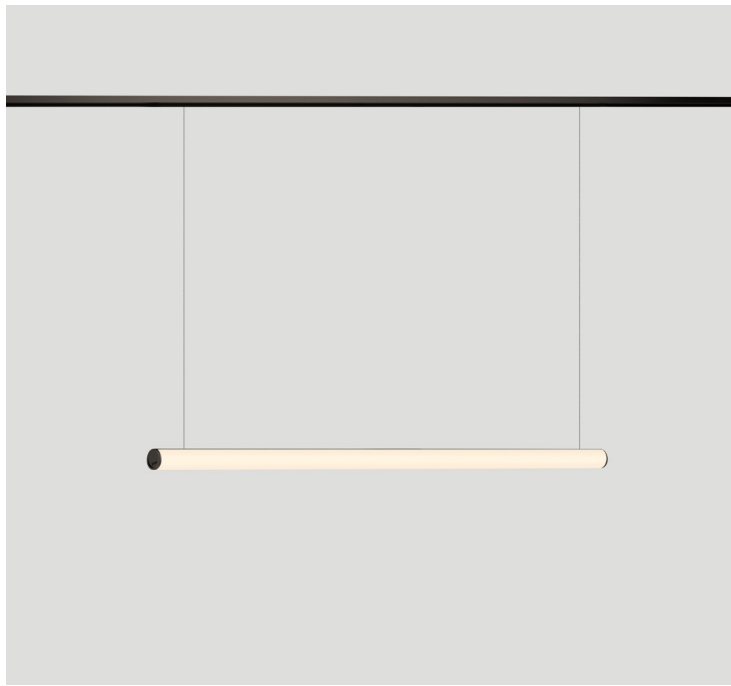


BLOKINLINE LEDLINE 1800



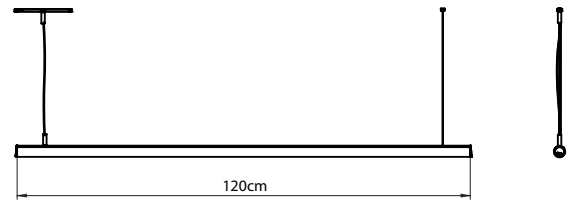
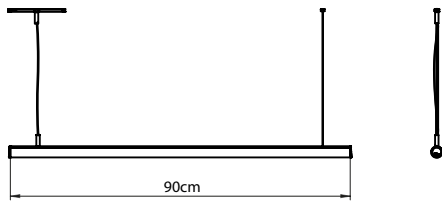
CODE	LAMP	LIGHT SOURCE
768710	BLOKINLINE LEDLINE 900	LED 16W 1501lm 48V 2700K CRI≥90 230V DIM
768720	BLOKINLINE LEDLINE 1200	LED 21W 2002lm 48V 2700K CRI≥90 230V DIM
768730	BLOKINLINE LEDLINE 1800	LED 32W 3002lm 48V 2700K CRI≥90 230V DIM

* 3000K and 4000K available under request

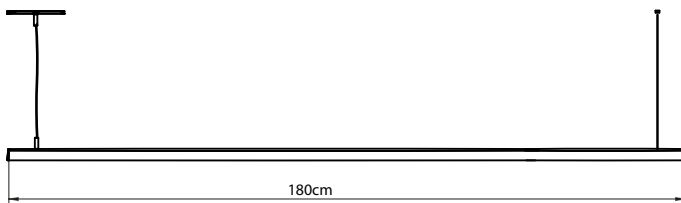


BLOKINLINE LEDLINE S 900

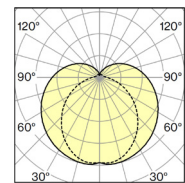
BLOKINLINE LEDLINE S 1200



BLOKINLINE LEDLINE S 1800



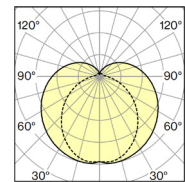
Light Distribution Curve



BLOKINLINE LEDLINE S 2400



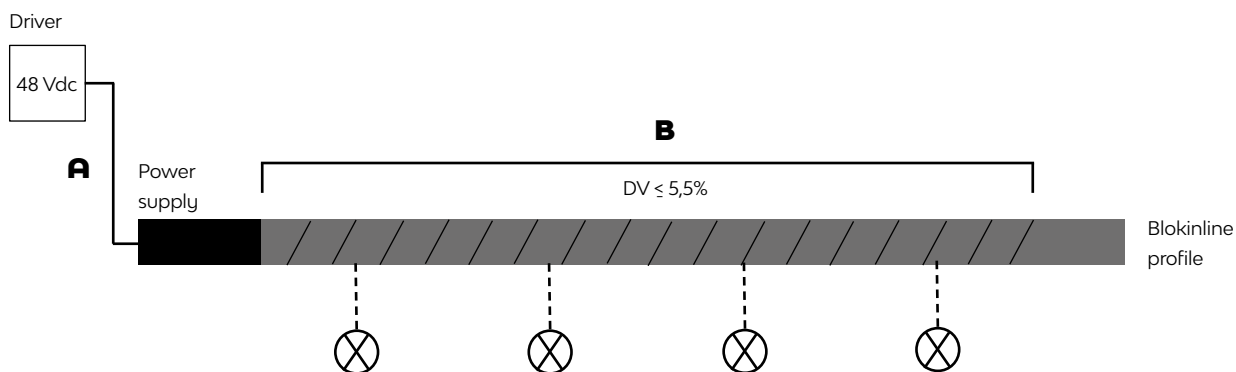
Light Distribution Curve



CODE	LAMP	LIGHT SOURCE
768800	BLOKINLINE LEDLINE S 900 BLACK	LED 16W 1501lm 48V 2700K CRI≥90 230V DIM
768801	BLOKINLINE LEDLINE S 900 WHITE	
768802	BLOKINLINE LEDLINE S 900 BRASS	
768810	BLOKINLINE LEDLINE S 1200 BLACK	LED 21W 2002lm 48V 2700K CRI≥90 230V DIM
768811	BLOKINLINE LEDLINE S 1200 WHITE	
768812	BLOKINLINE LEDLINE S 1200 BRASS	
768820	BLOKINLINE LEDLINE S 1800 BLACK	LED 32W 3002lm 48V 2700K CRI≥90 230V DIM
768821	BLOKINLINE LEDLINE S 1800 WHITE	
768822	BLOKINLINE LEDLINE S 1800 BRASS	
768830	BLOKINLINE LEDLINE S 2400 BLACK	LED 42W 4004lm 48V 2700K CRI≥90 230V DIM
768831	BLOKINLINE LEDLINE S 2400 WHITE	
768832	BLOKINLINE LEDLINE S 2400 BRASS	

* 3000K and 4000K available under request

Power / Potencia (W)	A - Distance power supply / Distancia driver			
	5 m	10 m	20 m	30 m
	B - Track length / Largo de carril			
60 W	50 m	50 m	50 m	50 m
100 W	50 m	50 m	40 m	25 m



TECHNICAL INFORMATION

- Voltage (Input): 0 – 60 V dc
- Rated Current: max. 10A - 1A data bus
- Max functioning T: 70°C (Ta 25°C)
- Class II (SELV)
- UL approval 48V-2A Class 2 - 1A data bus
- Maximum weight of the lighting fixture: 5N with adapter
- Tracks to be used in NON polarized versions
- Plastic components available only for NON polarized versions
- Use only NON polarized electronics
- Adapters are NOT to be inserted in bends.
- ATTENTION: to limit the risk of overheating and fire, do not short-circuit the conductors