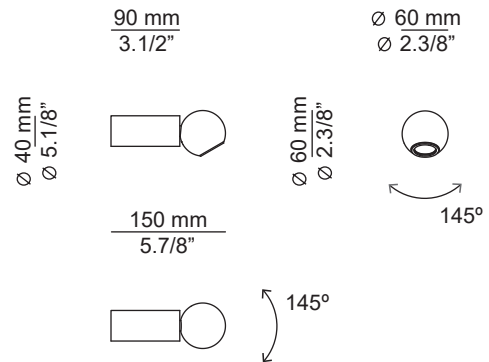
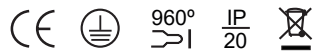


A-4070

493040701

Aluminum wall light providing direct light. The spherical head can rotate 145°. Non dimmable.

Aplique de aluminio con luz directa. El cabezal circular puede girar 145° en horizontal. No regulable.



Warning

PRODUCT IS TO BE INSTALLED BY A QUALIFIED ELECTRICIAN ONLY.
 LE PRODUIT DOIT ÊTRE INSTALLÉ PAR UN ÉLECTRICIEN QUALIFIÉ UNIQUEMENT.
 EL PRODUCTO DEBE SER INSTALADO SOLO POR UN ELECTRICISTA CUALIFICADO.

The light source of this luminaire is not replaceable. Once the light source's lifecycle ends, you must contact the manufacturer for repairs. [CE only: 230V / P.F Tends to 1].

La fuente de luz de esta luminaria no es reemplazable. Cuando la fuente de luz alcance el final de su vida, debe ponerse en contacto con el fabricante acción. [Solo CE: 230V / F.P Tiende a 1].

WE RECOMMEND READING THE INSTRUCTIONS ENTIRELY BEFORE STARTING YOUR INSTALLATION PLEASE SAVE THESE INSTRUCTIONS SO THAT YOU CAN REFER TO THEM AT A LATER TIME

LE RECOMENDAMOS LEA LAS INSTRUCCIONES ANTES DE PROCEDER A LA INSTALACIÓN GUARDE LAS INSTRUCCIONES PARA FUTURAS REFERENCIAS

- * Do not look directly into any LED source.
- * Make sure the power has been disconnected before installing the fixture.
- * For indoor use only.
- * Do not use alcohol or solvents to clean the lamp.

- * No mirar directamnete a los LED.
- * Asegúrese de que la corriente está desconectada antes de conectar el aparato.
- * Únicamente para uso en interiores.
- * Para limpieza no utilizar alcohol ni disolventes.



UL 1598 ELECTRICAL INSTRUCTIONS FOR FLUSHMOUNTS, WALL SCONCES AND PENDANTS

SAVE THESE INSTRUCTIONS. MIN 90C SUPPLY CONDUCTORS. CAUTION-RISK OF FIRE. USE STATED WATT OR SMALLER. CAUTION-RISK OF SHOCK. DISCONNECT POWER BEFORE SERVICING. TO REDUCE THE RISK OF A BURN DURING RELAMPING, ALLOW THE BULB TO COOL DOWN. SUITABLE FOR DAMP LOCATION. THIS PRODUCT MUST BE INSTALLED IN ACCORDANCE WITH THE APPLICABLE INSTALLATION CODE BY A PERSON FAMILIAR WITH THE CONSTRUCTION AND OPERATION OF THE PRODUCT AND THE HAZARD INVOLVED.

WARNING: ALL WIRES AND WIRE NUTS USED IN THE INSTALLATION MUST BE RATED 195F (90°C). FOR INDOOR USE ONLY. THESE PRODUCT MUST BE INSTALLED BY A QUALIFIED ELECTRICIAN.

Assembly instructions / Instrucciones

1 - Unscrew the studs (A) from the body of the lamp (B) to release the mounting bracket (C).
 Figure 1.

1 - Desenroscar los espárragos (A) del cuerpo de la lámpara (B) para liberar la sujeción (C).
 Figura 1.

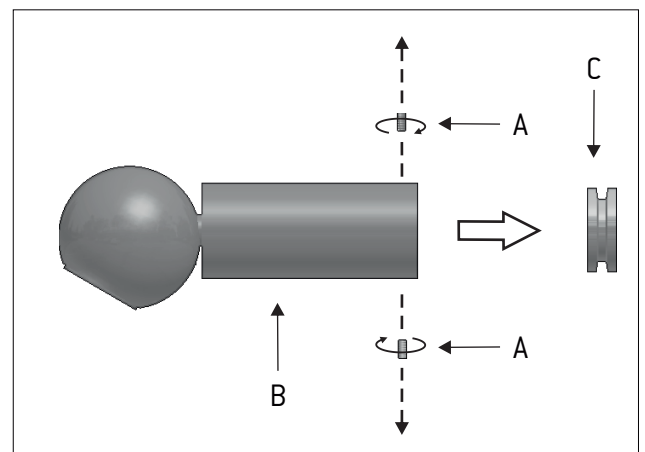


Figure 1

2 - Pull the decorative disc (D) to separate it from the mounting bracket (E). This disc is held by three magnets (F), there is no danger of breakage but be careful not to lose them. Figure 2.

2 - Tirar del disco decorativo (D) para separarlo de la sujeción (E). Este disco está sujeto por tres imanes (F), no hay peligro de rotura pero sí de pérdida. Figura 2.

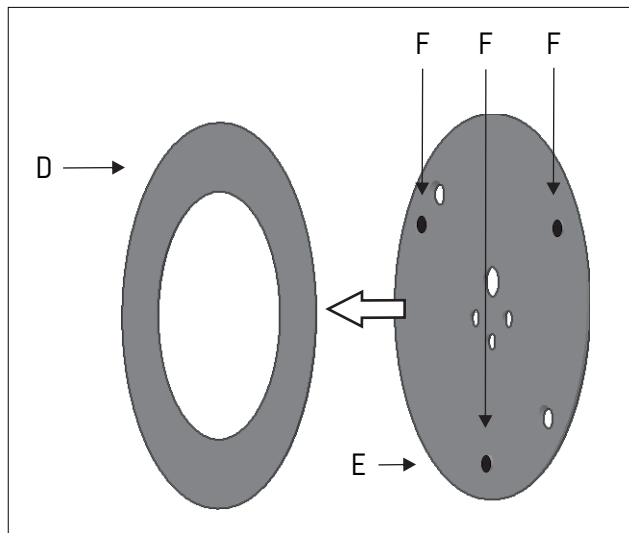


Figure 2

3 - Attach the mounting bracket of the sconce (C) to the mounting bracket decorative disc (E). Figure 3.

3 - Roscar la sujeción de la lámpara (C) a la sujeción del disco decorativo (E). Figura 3.

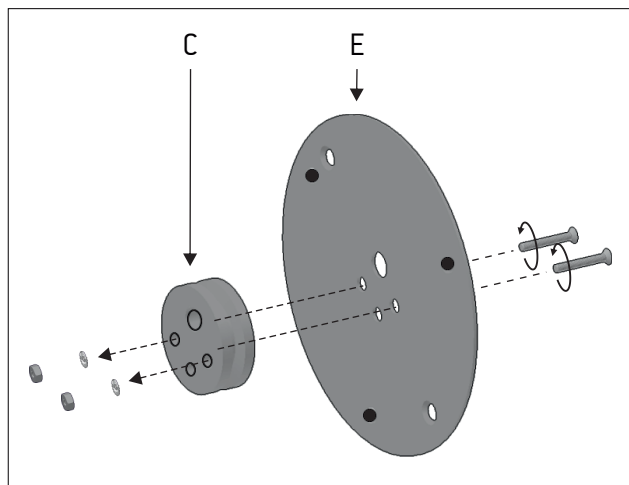


Figure 3

4 - Make the electrical connections. Leave the driver (G) inside the lamp body (B). Attach the mounting bracket (E) to the junction box. Figure 4.

Attention: Pay attention to the position of the positive (+) and negative (-) cables to avoid electrical damages.

It is essential to use the driver for the installation, otherwise the LED/driver will burn out.

4 - Realizar las conexiones eléctricas y dejar el driver (G) en el interior del cuerpo de la lámpara (B). Fijar la sujeción (E) a la caja de conexiones. Figura 4.

Atención: respetar la posición de los cables positivos (+) y negativos (-) para evitar fallos eléctricos. Es imprescindible la utilización del driver para la instalación, de lo contrario el LED/driver se quemará.

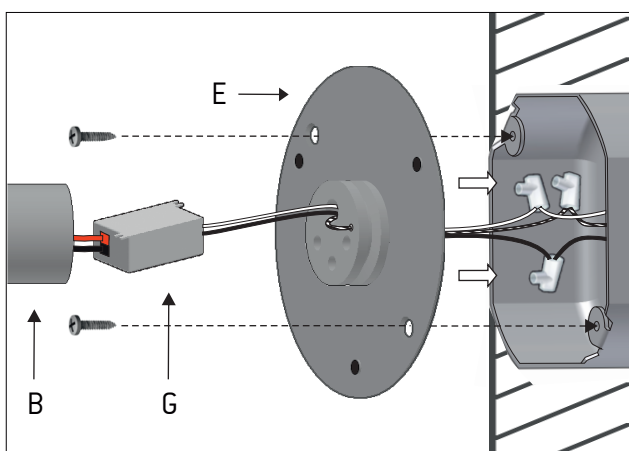


Figure 4

5 - Screw the studs (A) to the body of the lamp (B) to fix to the mounting bracket (C).
Figure 5.

5 - Roscar los espárragos (A) del cuerpo de la lámpara (B) para fijar la sujeción (C).
Figura 5.

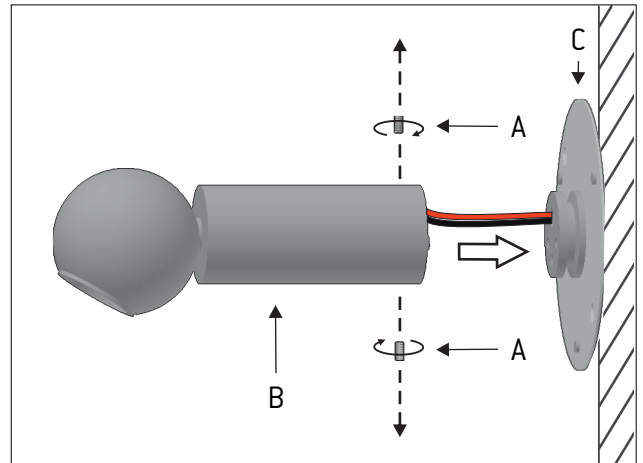


Figure 5

6 - Place back the decorative disc (A) to the mounting bracket (B) using the magnets (C).
Figure 6.

6 - Volver a colocar el disco decorativo (A) para unirlo de nuevo a la sujeción (B) mediante los imanes (C).
Figura 6.

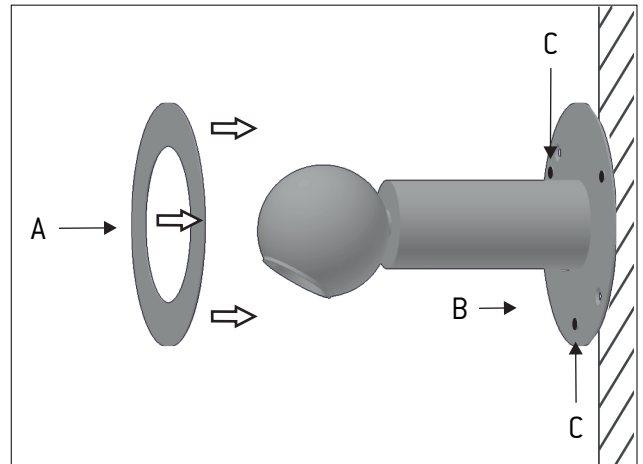


Figure 6