

ASSEMBLY INSTRUCTION
CP1406-H-1144

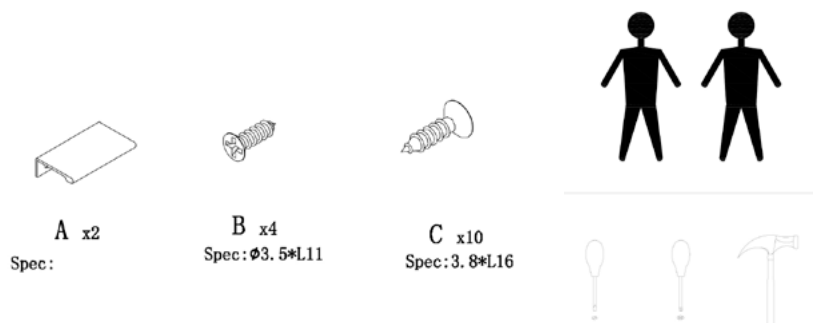


FIG.
1

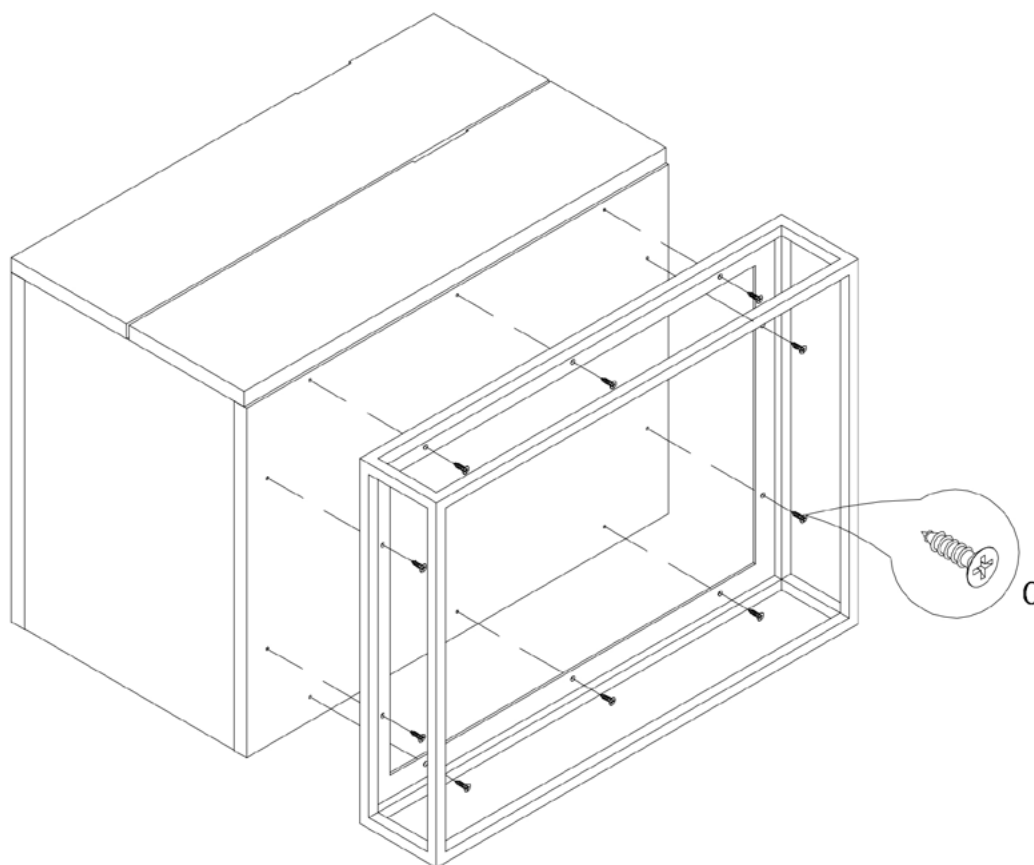


FIG.
2

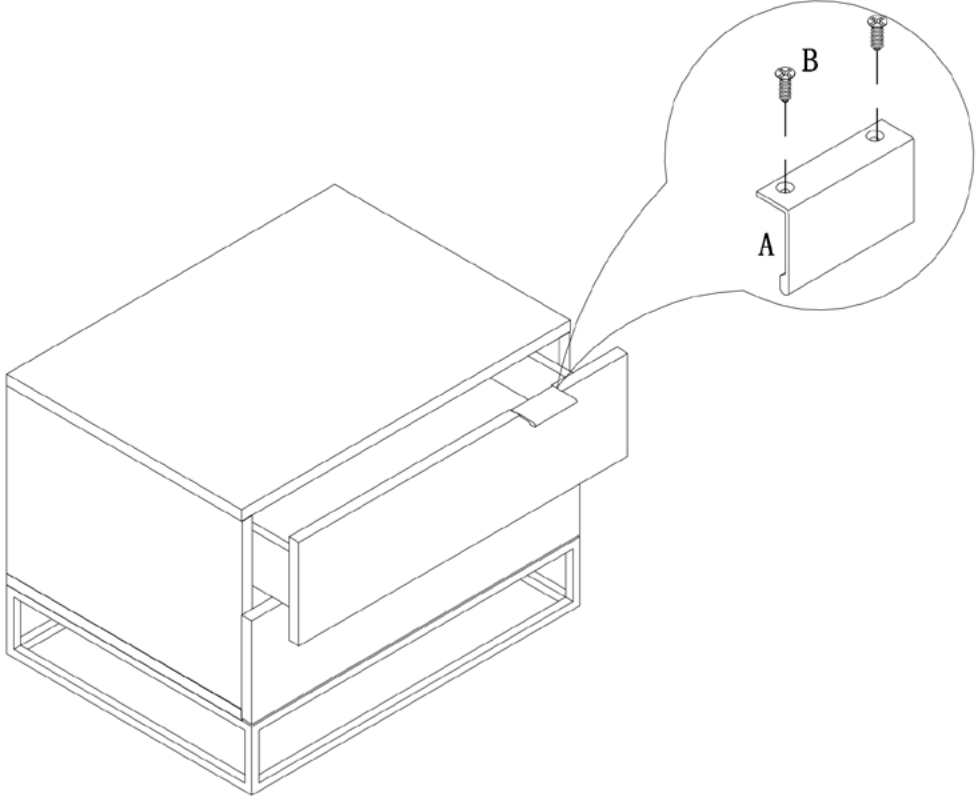
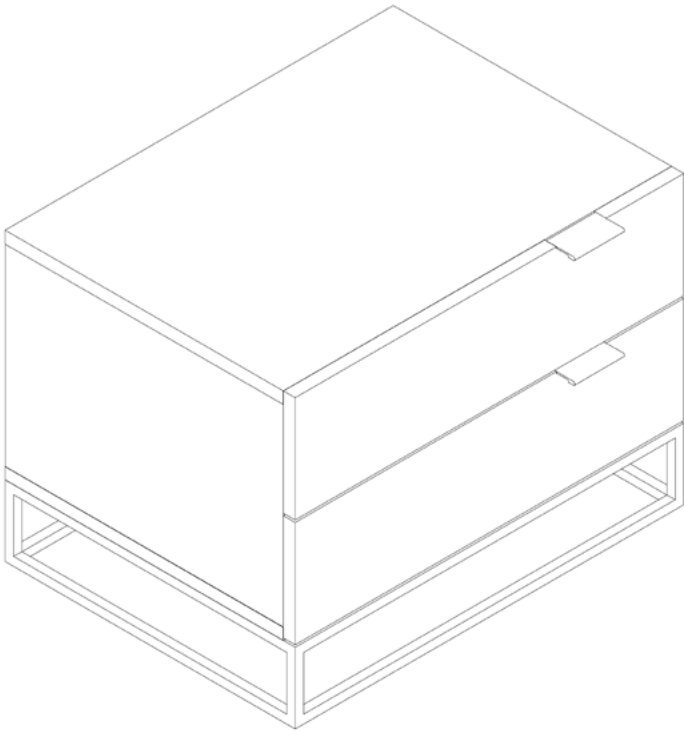
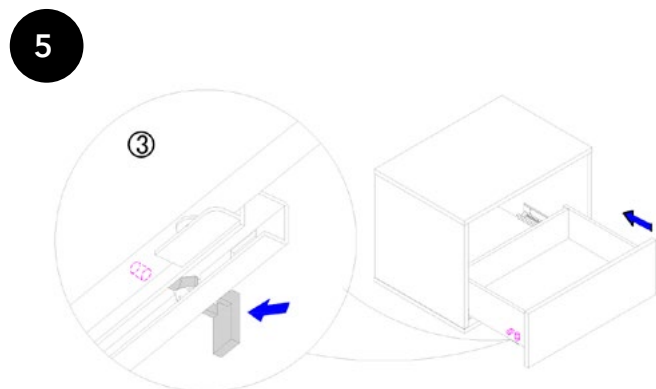
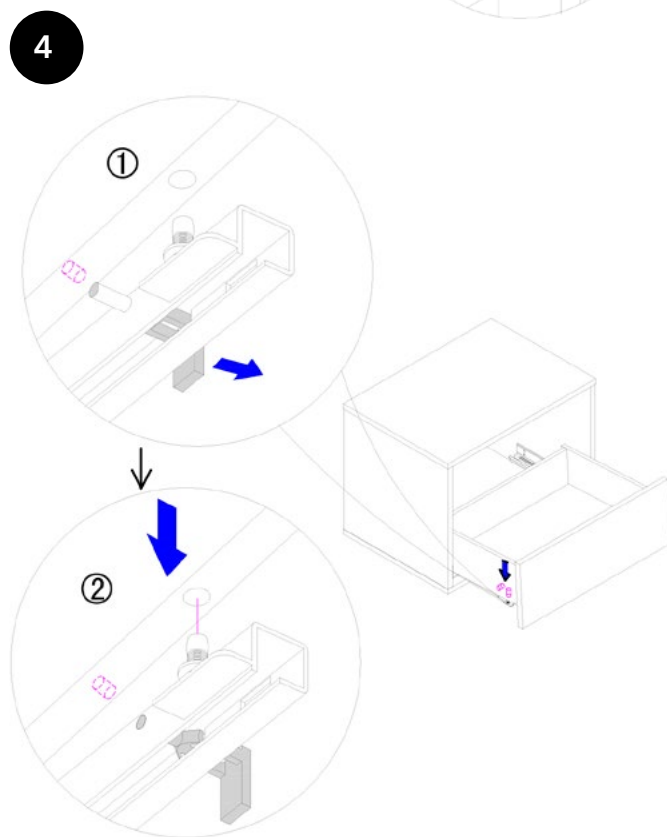
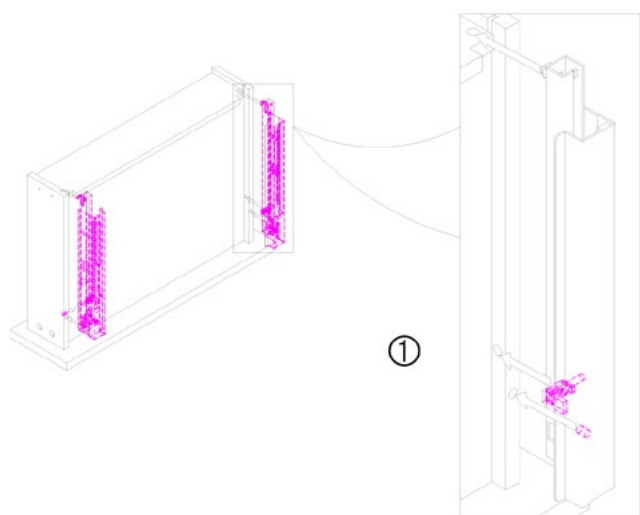
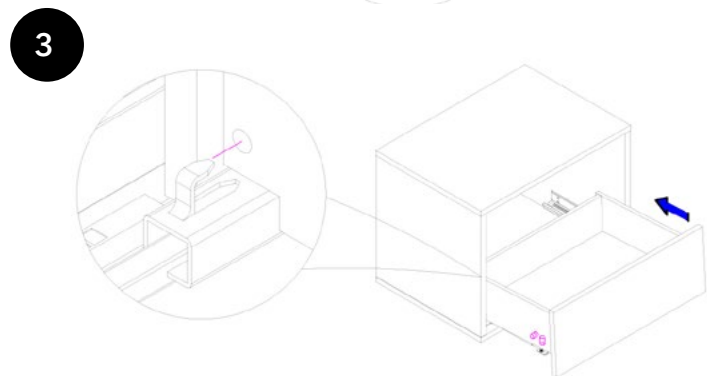
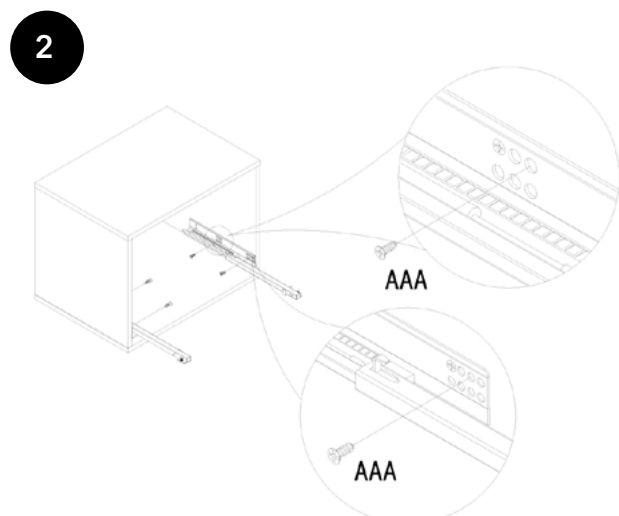
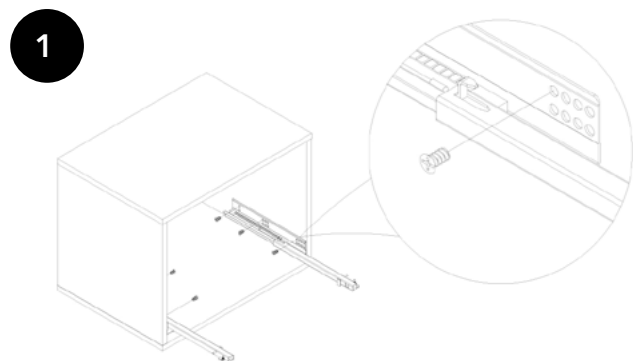


FIG.
3



DRAWER ASSEMBLY

CP1406-H-1144



DRAWER RENIVAL

ADJUSTABLE METHOD

