

Il Colonnato
Teak dining table Ø165
4 legs,
by Mario Bellini

kettal

Teak dining table Ø165 4 legs

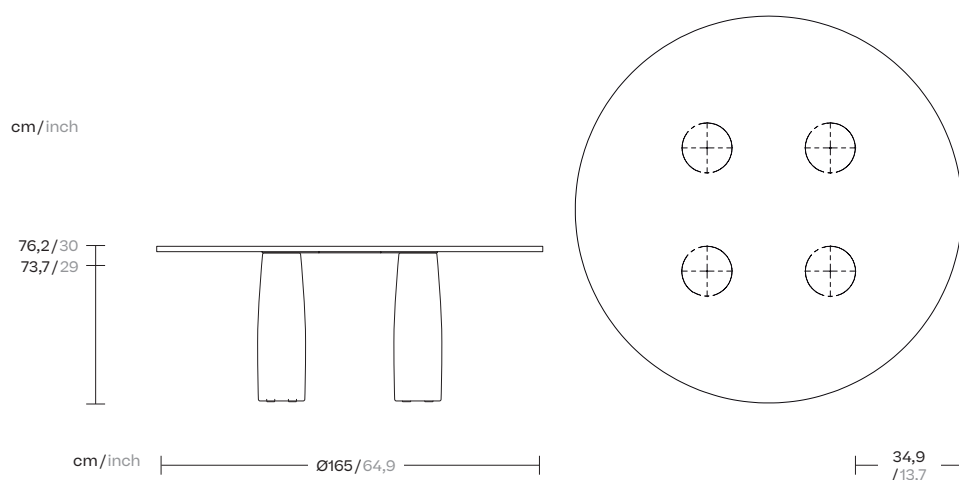
Designer
Mario Bellini

Collection
Il Colonnato

Reference
KSA1-006-00

1/2

In this project, Mario Bellini took his inspiration from a basic elemental structure in architecture. His design emulated the colonnade of classical architecture, in which a sequence of columns supports a portico, in this case a table top. The base is a visually closed volume, despite being materially open. When seen from a different viewpoint, perception changes completely, as the columns no longer overlap and the space appears empty.



kettal

Teak dining table Ø165 4 legs

Designer
Mario Bellini

Collection
Il Colonnato

Reference
KSA1-006-00

2/2

Materials

Teak
Teak A-Grade, Eco Friendly
Oeko-Tek

Base Colour Options

Teak



Teak

Maintenance

We recommend treating the wood with sealer every three months, or more frequently in the case of hotel and catering establishments. To restore the teak to its original appearance, sand the entire surface and apply the sealer.