




Invisible Triplex Pendant

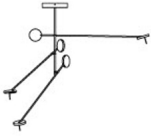
Designer: Francesc Vilaró

00-7384-05-05 V0



	Finish	Material
Structure	Black	Steel Aluminium
Diffuser	Tinted	Methacrylate

IP20  350o  1 



TECHNICAL CHARACTERISTICS

Light source

Light source: LED REFOND
Output (W): 27W
Total power consumption (W): 28.7W
Color temperature: LED warm-white
2700K
CRI: 80
Photobiological risk: RG0
Real Lumen: 1653
Qty Leds: 144
Lm/Real W: 58
Life Time: 50.000h L80B20
Bin / Grup: 27K
MacAdam steps: 3
UGR: 22.2
Recommended lamp: LED

GEAR

Gear included: Yes, electronic
Voltage / Frequency:
100-240V/50-60Hz
Power Factor: 0.94

Luminaire

Warranty: 5 Years

Logistics

Energy Efficiency: LED A++
EAN Code: 8435526865055
Net Weight (Kg): 6.63
Weight in Kg (packaged): 10.43
Packing: 1570 x 295 x 310
Masterbox: 1

The photograph may not match the reference exactly. Please read the product description to identify the finish.

Luminaria

Código 00-7384-05-05
Nombre INVISIBLE

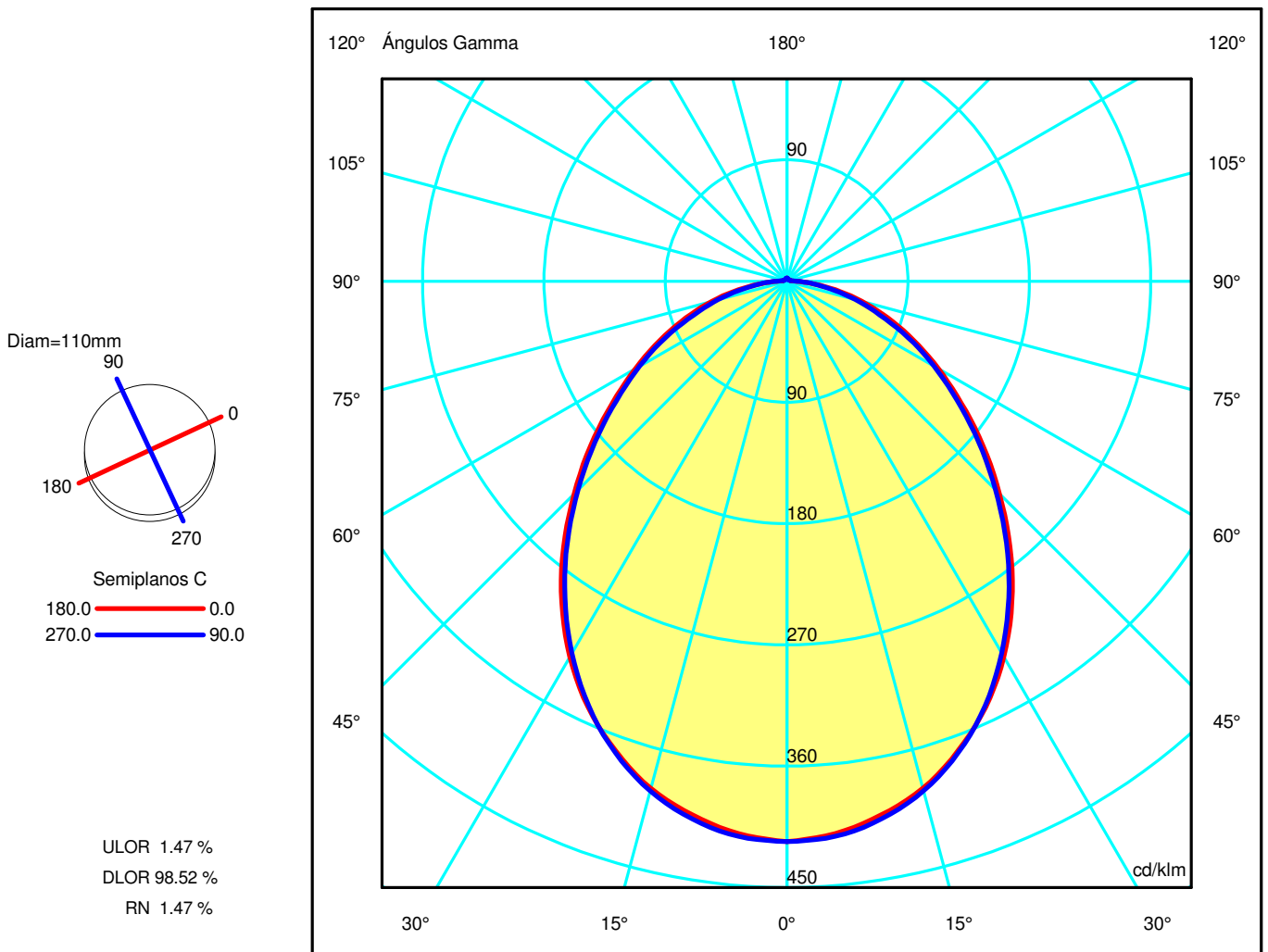
Ensayo

Código 00-7384-05-05
Nombre INVISIBLE

Flujo Luminaria	550.96 lm	Potencia luminaria	11.50 W	Eficacia	47.91 lm/W	Eficiencia	100.00%
Flujo de Lámpara	550.96 lm	Valor Máximo	415.83 cd/klm	Posición	C=0.00 G=0.00	CG	Bisimétrico
Luminaria Redonda		Diam.	110 mm	Altura	15 mm		
Área Luminosa Redonda		Diam.	100 mm	Altura	0 mm		
Área Luminosa Horizontal	0.007854 m2			Área Emisión sobre Pl. 180°		0.000000 m2	
Área Emisión sobre Pl. 0°	0.000000 m2			Área Emisión sobre Pl. 270°		0.000000 m2	
Área Emisión sobre Pl. 90°	0.000000 m2			Área de deslumbramiento a 76°		0.001900 m2	
Sist. de Coorden.	CG			Tipo de Simetría		Bisimétrico	
Fecha	27-04-2017			Máximo Ángulo Gamma		180	
Distancia de Ensayo	0.00			Flujo de Ensayo		568.00 lm	
Operador	Asselum T2			Tensión de alimentación [V]			
Temperatura	25.00 °C			Corriente de alimentación [A]			
Humedad	60.00 %			Fotocélula			
Notas							

Lámparas de la Luminaria

Familia	Código	Nombre	Flujo [lm]	Pot. [W]	Cant.
	25-5693-05-05	25-5693-05-05	550.96	11.50	1
C.I.E.	52 82 96 99 100	D DIN 5040	A41		
F UTE	0.99 D + 0.01 T	B NBN	BZ 4		



Luminaria

Código 00-7384-05-05

Nombre INVISIBLE

Ensayo

Código 00-7384-05-05

Nombre INVISIBLE

Flujo Luminaria	550.96 lm	Potencia luminaria	11.50 W	Eficacia	47.91 lm/W	Eficiencia	100.00%
Flujo de Lámpara	550.96 lm	Valor Máximo	415.83 cd/klm	Posición	C=0.00 G=0.00	CG	Bisimétrico

Tabla de Intensidad Luminosa cd/klm Tabla 1/1

	C 0.00	C 15.00	C 30.00	C 45.00	C 60.00	C 75.00	C 90.00
G 0.0	415.83	415.83	415.83	415.83	415.83	415.83	415.83
G 5.0	411.47	412.91	413.08	413.52	413.42	413.67	413.53
G 10.0	402.24	405.48	405.51	406.10	404.92	405.60	405.17
G 15.0	389.67	392.45	392.49	393.36	391.95	392.60	391.56
G 20.0	371.00	375.26	375.19	374.77	372.79	373.56	372.20
G 25.0	348.81	352.15	353.16	351.35	349.05	349.85	347.77
G 30.0	321.87	325.03	325.24	323.10	320.16	320.44	318.63
G 35.0	291.03	294.02	294.21	290.51	288.25	288.06	286.91
G 40.0	257.66	260.13	259.82	255.77	254.13	252.93	253.29
G 45.0	223.02	225.49	225.53	220.91	219.14	217.96	218.78
G 50.0	190.06	191.48	190.85	186.93	185.32	183.89	185.61
G 55.0	158.07	160.04	159.60	155.43	154.21	152.44	154.18
G 60.0	129.83	130.75	129.95	127.39	125.77	124.39	125.80
G 65.0	103.81	104.47	103.92	101.44	99.89	99.02	99.45
G 70.0	79.71	80.14	79.51	78.27	76.38	75.69	73.42
G 75.0	57.40	57.78	57.84	55.71	53.56	53.63	52.43
G 80.0	36.39	36.40	34.31	35.40	34.44	33.53	32.40
G 85.0	18.31	18.81	19.01	17.39	17.26	15.63	17.49
G 90.0	6.72	7.60	7.30	6.48	7.53	5.96	7.88
G 95.0	2.96	3.08	3.83	3.20	3.46	2.90	3.18
G100.0	2.81	2.80	2.68	2.68	2.64	2.60	2.56
G105.0	2.59	2.59	2.51	2.48	2.36	2.38	2.39
G110.0	2.36	2.36	2.25	2.24	2.16	2.13	2.08
G115.0	2.14	2.12	2.04	2.02	1.95	1.90	1.84
G120.0	1.93	1.93	1.86	1.85	1.82	1.76	1.73
G125.0	1.79	1.80	1.74	1.75	1.73	1.69	1.68
G130.0	1.70	1.71	1.66	1.69	1.69	1.66	1.68
G135.0	1.69	1.68	1.65	1.66	1.69	1.68	1.69
G140.0	1.74	1.72	1.68	1.70	1.71	1.71	1.74
G145.0	1.81	1.77	1.76	1.77	1.78	1.78	1.78
G150.0	1.89	1.87	1.84	1.85	1.88	1.86	1.84
G155.0	1.96	1.95	1.92	1.95	1.96	1.95	1.94
G160.0	2.05	2.03	2.03	2.04	2.05	2.03	2.01
G165.0	2.11	2.12	2.11	2.11	2.13	2.11	2.11
G170.0	2.16	2.19	2.19	2.18	2.20	2.18	2.18
G175.0	2.21	2.24	2.24	2.23	2.24	2.24	2.24
G180.0	2.23	2.26	2.25	2.26	2.25	2.26	2.26

LEDS C4[®]

Luminaria

Código 00-7384-05-05
 Nombre INVISIBLE

Ensayo

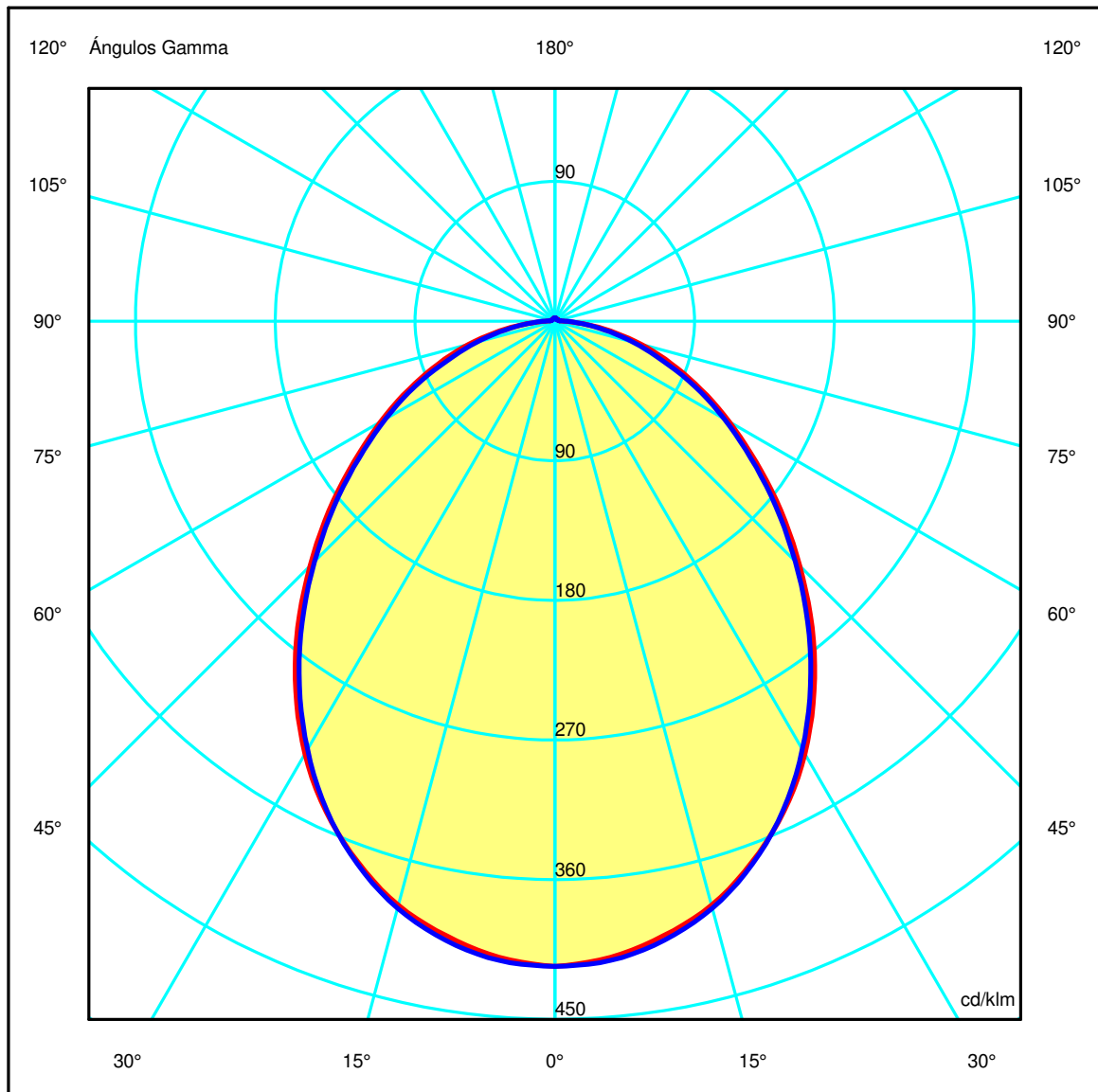
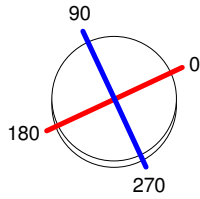
Código 00-7384-05-05
 Nombre INVISIBLE

Flujo Luminaria	550.96 lm	Potencia luminaria	11.50 W	Eficacia	47.91 lm/W	Eficiencia	100.00%
Flujo de Lámpara	550.96 lm	Valor Máximo	415.83 cd/klm	Posición	C=0.00 G=0.00	CG	Bisimétrico

Diam=110mm

Semiplanos C

180.0 ——— 0.0
 270.0 ——— 90.0



LEDS C4[®]

Luminaria

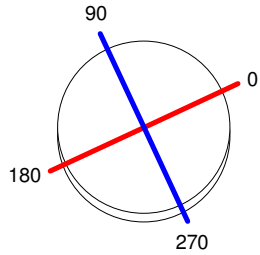
Código 00-7384-05-05
Nombre INVISIBLE

Ensayo

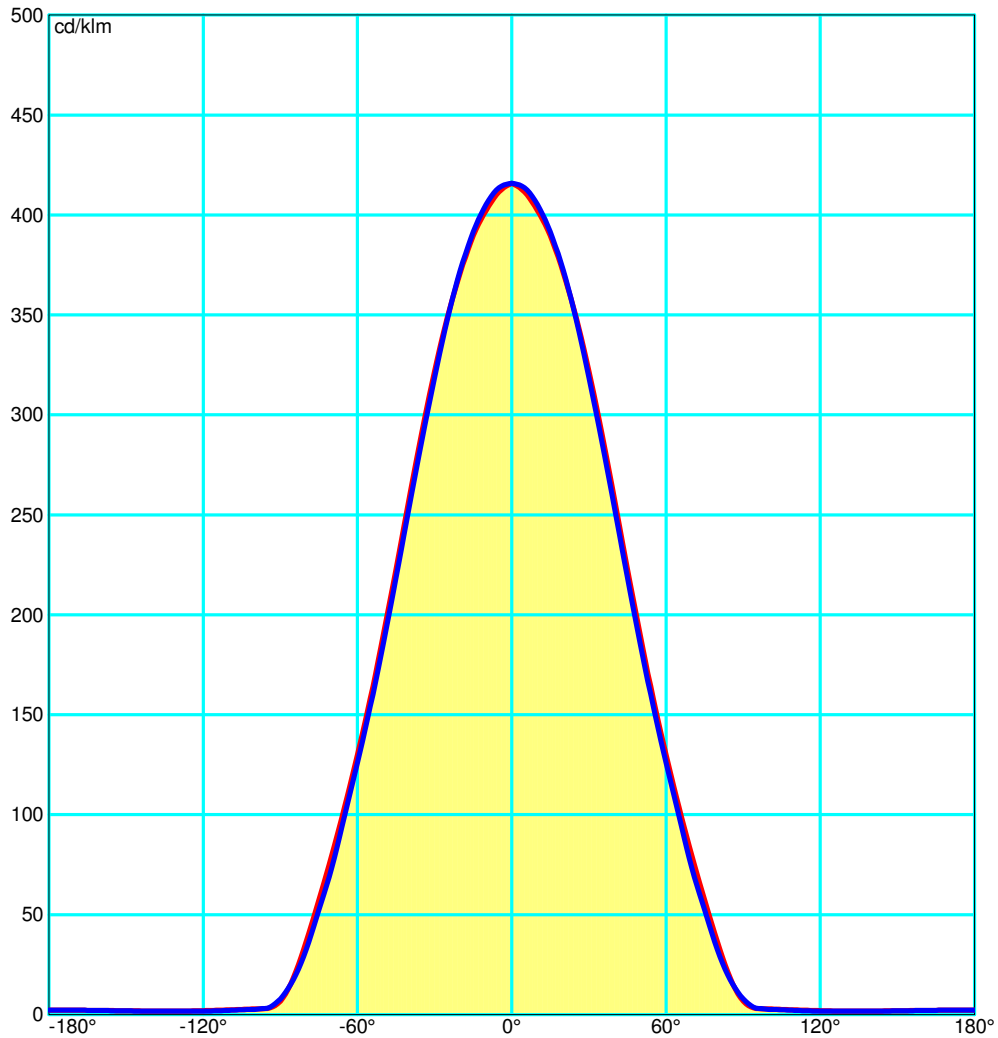
Código 00-7384-05-05
Nombre INVISIBLE

Flujo Luminaria	550.96 lm	Potencia luminaria	11.50 W	Eficacia	47.91 lm/W	Eficiencia	100.00%
Flujo de Lámpara	550.96 lm	Valor Máximo	415.83 cd/klm	Posición	C=0.00 G=0.00	CG	Bisimétrico

Diam=110mm



Semiplanos C



Luminaria

Código 00-7384-05-05

Nombre INVISIBLE

Ensayo

Código 00-7384-05-05

Nombre INVISIBLE

Flujo Luminaria	550.96 lm	Potencia luminaria	11.50 W	Eficacia	47.91 lm/W	Eficiencia	100.00%
Flujo de Lámpara	550.96 lm	Valor Máximo	415.83 cd/klm	Posición	C=0.00 G=0.00	CG	Bisimétrico

UGR
S = 0.250

Reflectancias										
Ceiling/Cavity	0.7	0.7	0.5	0.5	0.3	0.7	0.7	0.5	0.5	0.3
Walls	0.5	0.3	0.5	0.3	0.3	0.5	0.3	0.5	0.3	0.3
WorkingPlane	0.2	0.2	0.2	0.2	0.2	0.2	0.2	0.2	0.2	0.2
RoomDimensions	Viewed Crosswise					Viewed Endwise				
x=2H y=2H	22.4	23.6	22.7	23.9	24.2	22.2	23.4	22.5	23.7	23.9
x=2H y=3H	23.9	25.0	24.2	25.3	25.6	23.6	24.7	23.9	25.0	25.3
x=2H y=4H	24.5	25.6	24.9	25.9	26.2	24.2	25.2	24.5	25.5	25.8
x=2H y=6H	25.0	26.0	25.4	26.3	26.7	24.6	25.6	25.0	25.9	26.3
x=2H y=8H	25.2	26.2	25.6	26.5	26.9	24.8	25.7	25.2	26.1	26.4
x=2H y=12H	25.4	26.3	25.8	26.6	27.0	24.9	25.8	25.3	26.2	26.5
x=4H y=2H	23.1	24.1	23.4	24.4	24.7	22.9	23.9	23.2	24.2	24.6
x=4H y=3H	24.7	25.6	25.1	26.0	26.3	24.5	25.4	24.9	25.7	26.1
x=4H y=4H	25.5	26.3	25.9	26.7	27.1	25.2	26.0	25.6	26.4	26.8
x=4H y=6H	26.2	26.9	26.6	27.3	27.7	25.8	26.5	26.2	26.9	27.3
x=4H y=8H	26.4	27.1	26.9	27.5	27.9	26.0	26.7	26.5	27.1	27.5
x=4H y=12H	26.6	27.2	27.1	27.6	28.1	26.2	26.8	26.7	27.2	27.7
x=8H y=4H	25.8	26.5	26.3	26.9	27.3	25.6	26.2	26.0	26.6	27.1
x=8H y=6H	26.6	27.1	27.1	27.6	28.1	26.3	26.8	26.8	27.3	27.8
x=8H y=8H	27.0	27.4	27.5	27.9	28.4	26.6	27.1	27.1	27.5	28.0
x=8H y=12H	27.3	27.7	27.8	28.2	28.7	26.9	27.3	27.4	27.7	28.3
x=12H y=4H	25.9	26.4	26.3	26.9	27.3	25.6	26.2	26.1	26.6	27.1
x=12H y=6H	26.7	27.2	27.2	27.6	28.1	26.4	26.8	26.9	27.3	27.8
x=12H y=8H	27.1	27.5	27.6	28.0	28.5	26.7	27.1	27.3	27.6	28.2

Luminaria

Código 00-7384-05-05

Nombre INVISIBLE

Ensayo

Código 00-7384-05-05

Nombre INVISIBLE

Flujo Luminaria	550.96 lm	Potencia luminaria	11.50 W	Eficacia	47.91 lm/W	Eficiencia	100.00%
Flujo de Lámpara	550.96 lm	Valor Máximo	415.83 cd/klm	Posición	C=0.00 G=0.00	CG	Bisimétrico

Flujo Total=550.96 Flujo Luminaria=550.96

RI	0.60	0.80	1.00	1.25	1.50	2.00	2.50	3.00	4.00	5.00	10.00	20.00
DRR	0.35	0.43	0.50	0.57	0.62	0.71	0.76	0.80	0.84	0.87	0.93	0.97
RC	4	4	4	4	4	4	4	4	4	4	4	4

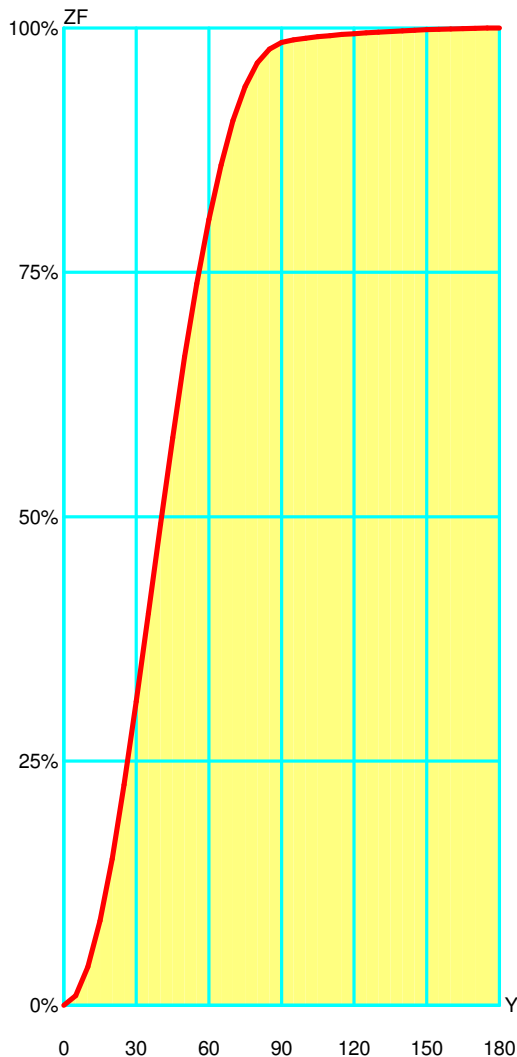
Flujo Zonal por 1000 Lúmenes

Y°	10	20	30	40	50	60	70	80	90	100	110	120	130	140	150	160	170	180
ZF(Y)	39	150	311	492	664	804	905	964	985	990	992	994	996	997	998	999	1000	1000

Códigos de Flujo C.I.E.

52 82 96 99 100

C.I.E.	4	LOR	99.99912 %
D DIN 5040	A41	ULOR	1.47453 %
F UTE	0.99 D + 0.01 T	DLOR	98.52459 %
B NBN	BZ 4	UFF	1.47454 %
RN	1.47454 %	DFF	98.52546 %
BLF	1.0	FFR	1.49661 %



Gamma °	Flujo Zonal			
	Flujo	Suma lm	Flujo [%]	Suma [%]
0°	0.00	0.00	0.00%	0.00 %
5°	9.91	9.91	0.99 %	0.99 %
10°	29.28	39.19	2.93 %	3.92 %
15°	47.31	86.49	4.73 %	8.65 %
20°	63.14	149.63	6.31 %	14.96 %
25°	75.99	225.62	7.60 %	22.56 %
30°	85.17	310.79	8.52 %	31.08 %
35°	90.27	401.06	9.03 %	40.11 %
40°	91.27	492.33	9.13 %	49.23 %
45°	88.51	580.84	8.85 %	58.08 %
50°	82.72	663.56	8.27 %	66.36 %
55°	74.80	738.37	7.48 %	73.84 %
60°	65.64	804.01	6.56 %	80.40 %
65°	55.77	859.78	5.58 %	85.98 %
70°	45.45	905.22	4.54 %	90.52 %
75°	34.85	940.08	3.49 %	94.01 %
80°	24.17	964.24	2.42 %	96.43 %
85°	14.24	978.48	1.42 %	97.85 %
90°	6.76	985.25	0.68 %	98.53 %
95°	2.82	988.06	0.28 %	98.81 %
100°	1.61	989.68	0.16 %	98.97 %
105°	1.38	991.05	0.14 %	99.11 %
110°	1.23	992.28	0.12 %	99.23 %
115°	1.07	993.35	0.11 %	99.34 %
120°	0.93	994.29	0.09 %	99.43 %
125°	0.83	995.11	0.08 %	99.51 %
130°	0.74	995.86	0.07 %	99.59 %
135°	0.68	996.54	0.07 %	99.65 %
140°	0.63	997.16	0.06 %	99.72 %
145°	0.58	997.75	0.06 %	99.78 %
150°	0.54	998.28	0.05 %	99.83 %
155°	0.48	998.76	0.05 %	99.88 %
160°	0.42	999.18	0.04 %	99.92 %
165°	0.34	999.52	0.03 %	99.95 %
170°	0.26	999.78	0.03 %	99.98 %
175°	0.16	999.94	0.02 %	99.99 %
180°	0.05	999.99	0.01 %	100.00 %

Luminaria

 Código 00-7384-05-05
 Nombre INVISIBLE

Ensayo

 Código 00-7384-05-05
 Nombre INVISIBLE

Flujo Luminaria	550.96 lm	Potencia luminaria	11.50 W	Eficacia	47.91 lm/W	Eficiencia	100.00%
Flujo de Lámpara	550.96 lm	Valor Máximo	415.83 cd/klm	Posición	C=0.00 G=0.00	CG	Bisimétrico

Utilización CIE

Montaje	Normalización																			Normalizados										Raz. de Susp. 1/3			CIE Estándar										
	Directo																																										
	Techo																																										
K	8873	8773	8871	8771	7773	7771	7753	7553	7751	7551	7731	7331	7711	7111	5551	5531	5331	5511	5111	3331	3311	1111	0000																				
0.60	222	199	174	157	190	149	119	101	93	79	54	41	27	18	74	44	39	22	17	37	18	16	6																				
0.80	256	235	185	171	224	163	148	130	106	93	65	52	34	25	87	54	49	29	24	46	25	22	7																				
1.00	280	260	187	175	247	168	172	153	113	102	72	60	41	31	95	62	56	35	30	54	31	27	7																				
1.25	300	283	185	176	269	169	196	178	118	108	79	67	48	38	102	69	64	42	37	61	37	34	8																				
1.50	315	299	182	174	285	167	215	198	121	112	84	73	54	45	106	74	70	48	43	67	43	40	9																				
2.00	333	320	173	167	306	161	244	229	123	116	91	82	64	55	110	82	78	58	53	75	54	49	10																				
2.50	346	335	165	161	320	156	265	251	124	118	96	88	72	63	112	88	84	66	61	81	61	57	11																				
3.00	354	345	159	156	329	151	281	268	124	119	99	92	78	70	113	92	89	72	68	85	68	63	11																				
4.00	367	359	152	150	343	146	304	293	124	120	104	98	86	79	115	97	95	81	77	92	77	73	12																				
5.00	374	368	147	146	353	142	319	309	124	121	107	102	92	86	116	101	99	87	84	96	83	79	12																				
10.00	391	388	137	136	372	134	353	347	124	122	114	112	105	102	118	110	108	101	99	105	98	94	13																				
20.00	399	398	130	130	382	128	372	369	123	122	118	116	113	111	119	114	114	110	109	111	107	104	14																				

Pared

K	8873	8773	8871	8771	7773	7771	7753	7553	7751	7551	7731	7331	7711	7111	5551	5531	5331	5511	5111	3331	3311	1111	0000
0.60	447	435	386	378	429	373	338	329	301	295	252	247	217	214	292	248	246	215	214	245	214	213	193
0.80	502	490	421	412	480	406	391	381	339	333	291	285	255	251	328	285	283	252	250	281	250	249	225
1.00	538	525	438	431	513	424	428	417	362	356	316	310	281	276	350	309	307	277	275	304	275	272	245
1.25	569	557	451	444	543	437	463	452	382	376	339	332	305	300	369	331	328	300	298	325	297	294	264
1.50	592	581	459	453	564	445	490	478	396	390	356	349	323	318	382	347	344	318	315	340	314	311	278
2.00	614	604	458	454	584	446	520	509	405	400	371	365	342	337	391	361	359	336	333	353	331	326	290
2.50	627	618	455	452	596	443	540	530	409	405	380	374	354	349	395	369	367	347	344	361	341	335	296
3.00	634	626	450	448	603	439	553	543	410	406	384	379	361	356	396	373	371	353	350	364	346	340	299
4.00	650	643	451	449	618	441	577	568	417	414	396	391	377	372	403	384	382	368	365	374	359	352	308
5.00	662	656	453	451	630	443	595	587	424	421	405	402	389	384	409	393	392	379	376	383	370	362	316
10.00	689	686	458	458	656	450	636	631	439	437	428	426	418	415	424	415	414	406	404	403	395	385	335
20.00	697	695	454	453	663	446	652	649	440	439	434	432	428	426	425	420	420	415	414	408	403	392	339

P.Trab.

K	8873	8773	8871	8771	7773	7771	7753	7553	7751	7551	7731	7331	7711	7111	5551	5531	5331	5511	5111	3331	3311	1111	0000
0.60	621	608	579	570	600	564	489	481	471	465	408	403	363	360	460	403	401	361	359	400	359	358	342
0.80	725	711	668	658	699	650	588	577	561	553	497	490	449	444	547	489	487	445	443	484	443	441	424
1.00	808	792	736	727	776	717	670	657	633	625	571	563	523	517	617	561	559	518	515	554	514	512	494
1.25	884	869	797	788	849	777	748	734	701	693	642	633	595	588	682	630	627	588	585	622	583	579	563
1.50	940	926	840	832	903	820	808	794	751	743	695	686	650	643	730	682	679	642	639	672	636	631	615
2.00	1000	1000	901	895	982	882	900	885	825	818	777	768	737	729	802	762	758	727	722	749	718	711	696
2.50	1000	1000	938	934	1000	920	960	946	872	866	830	822	794	786	848	813	810	782	778	799	772	763	748
3.00	1000	1000	964	960	1000	946	1000	991	904	899	868	860	836	827	881	850	847	822	818	834	810	800	786
4.00	1000	1000	994	991	1000	977	1000	1000	944	939	914	907	887	879	919	894	891	871	867	877	857	844	831
5.00	1000	1000	1000	1000	1000	995	1000	1000	967	964	942	936	919	912	943	921	919	901	898	903	886	872	859
10.00	1000	1000	1000	1000	1000	1000	1000	1000	1000	1000	1000	1000	1000	1000	999	989	984	992	980	978	968	965	958
20.00	1000	1000	1000	1000	1000	1000	1000	1000	1000	1000	1000	1000	1000	1000	1000	1000	1000	1000	1000	989	984	963	951

LM53 SHR C0-C180: 1.155 SHR C90-C270: 1.143 SHR Superficial: 1.252

LEDS C4⁺

Luminaria

Código 00-7384-05-05

Nombre INVISIBLE

Ensayo

Código 00-7384-05-05

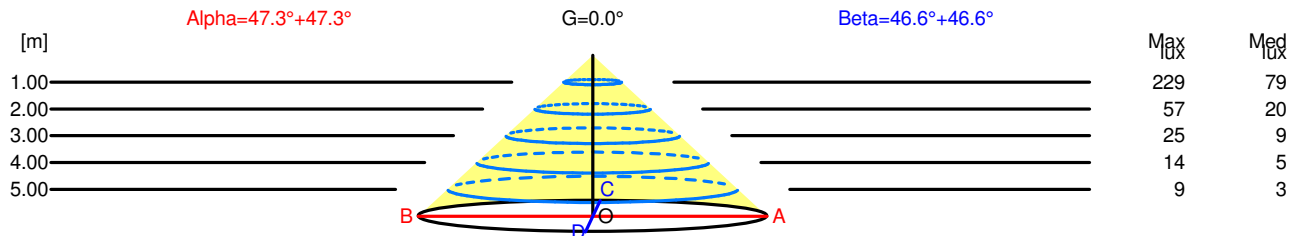
Nombre INVISIBLE

Flujo Luminaria	550.96 lm	Potencia luminaria	11.50 W	Eficacia	47.91 lm/W	Eficiencia	100.00%
Flujo de Lámpara	550.96 lm	Valor Máximo	415.83 cd/klm	Posición	C=0.00 G=0.00	CG	Bisimétrico

Apertura a 50.00 % de Max Intensidad

H[m]	1.00	2.00	3.00	4.00	5.00	H[m]	1.00	2.00	3.00	4.00	5.00
OA	1.08	2.16	3.25	4.33	5.41	OC	1.06	2.12	3.17	4.23	5.29
OB	1.08	2.16	3.25	4.33	5.41	OD	1.06	2.12	3.17	4.23	5.29

	Intensidades Luminosas [cd/klm]									
	0	5	15	25	35	45	55	65	75	85
OA	229.10	226.71	214.69	192.18	160.34	122.88	87.09	57.20	31.62	10.09
OB	229.10	226.71	214.69	192.18	160.34	122.88	87.09	57.20	31.62	10.09
OC	229.10	227.84	215.73	191.61	158.08	120.54	84.95	54.79	28.89	9.64
OD	229.10	227.84	215.73	191.61	158.08	120.54	84.95	54.79	28.89	9.64



H[m]	D[m]	Max lux	Med lux	Alpha=47.3°+47.3°	G=0.0
1.00	2.16	229	79		
2.00	4.33	57	20		
3.00	6.49	25	9		
4.00	8.66	14	5		
5.00	10.82	9	3		

H[m]	D[m]	Max lux	Med lux	Beta=46.6°+46.6°	G=0.0
1.00	2.12	229	79		
2.00	4.23	57	20		
3.00	6.35	25	9		
4.00	8.46	14	5		
5.00	10.58	9	3		

LEDS C4⁺

Luminaria

Código 00-7384-05-05

Nombre INVISIBLE

Ensayo

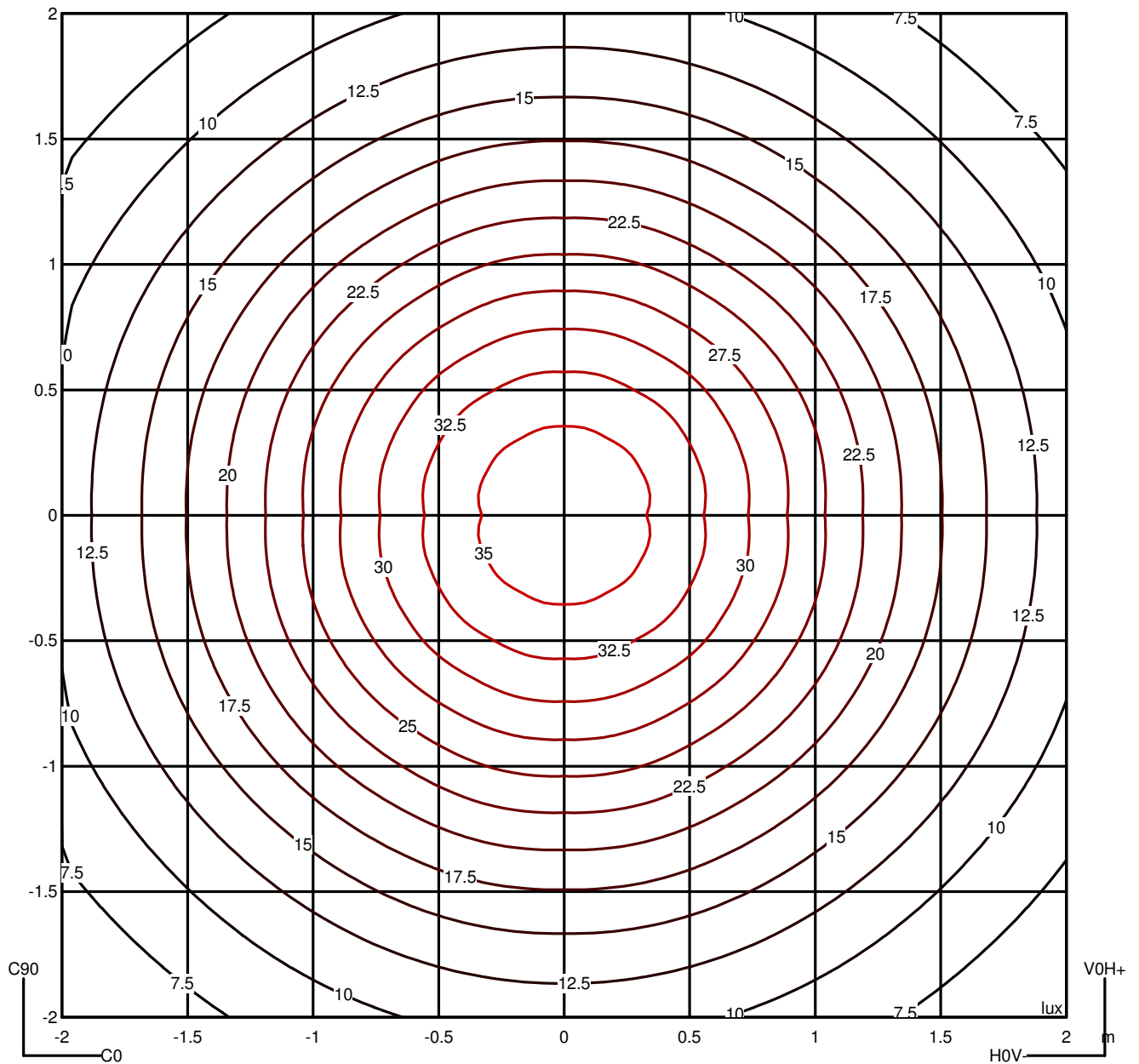
Código 00-7384-05-05

Nombre INVISIBLE

Flujo Luminaria	550.96 lm	Potencia luminaria	11.50 W	Eficacia	47.91 lm/W	Eficiencia	100.00%
Flujo de Lámpara	550.96 lm	Valor Máximo	415.83 cd/klm	Posición	C=0.00 G=0.00	CG	Bisimétrico

Isolux (Suelo)

Posición Luminaria X=0.00m Y=0.00m Z=2.50m



LEDS C4[®]

Luminaria

Código 00-7384-05-05

Nombre INVISIBLE

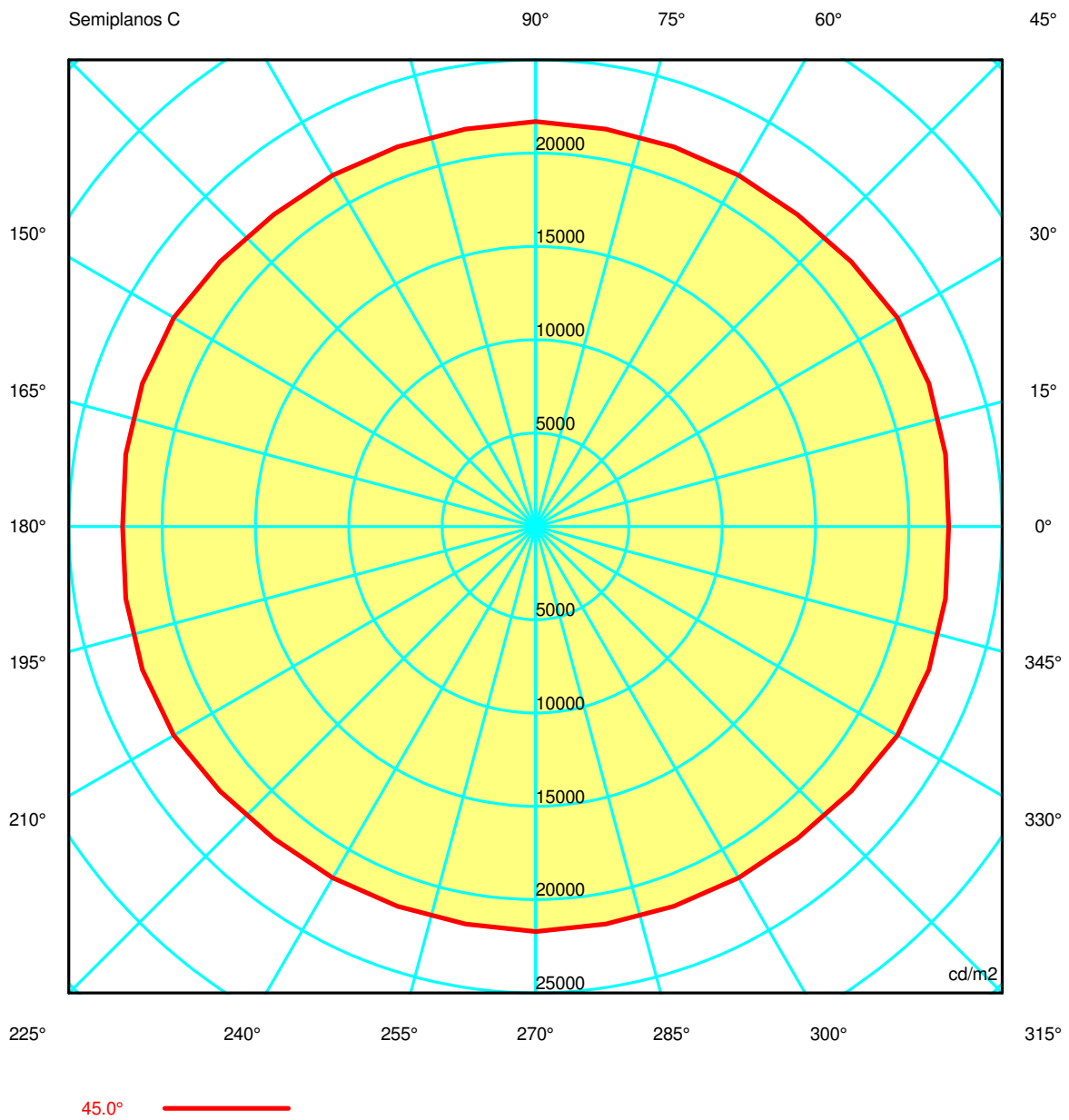
Ensayo

Código 00-7384-05-05

Nombre INVISIBLE

Flujo Luminaria	550.96 lm	Potencia luminaria	11.50 W	Eficacia	47.91 lm/W	Eficiencia	100.00%
Flujo de Lámpara	550.96 lm	Valor Máximo	415.83 cd/klm	Posición	C=0.00 G=0.00	CG	Bisimétrico

Luminancia



Luminaria

Código 00-7384-05-05

Nombre INVISIBLE

Ensayo

Código 00-7384-05-05

Nombre INVISIBLE

Flujo Luminaria	550.96 lm	Potencia luminaria	11.50 W	Eficacia	47.91 lm/W	Eficiencia	100.00%
Flujo de Lámpara	550.96 lm	Valor Máximo	415.83 cd/klm	Posición	C=0.00 G=0.00	CG	Bisimétrico

Luminance cd/m2 Tabla 1/3

	C 0.00	C 10.00	C 20.00	C 30.00	C 40.00	C 50.00	C 60.00	C 70.00	C 80.00	C 90.00	C 100.00	C 110.00	C 120.00
G 0.0	29170.39	29170.39	29170.39	29170.39	29170.39	29170.39	29170.39	29170.39	29170.39	29170.39	29170.39	29170.39	29170.39
G 5.0	28975.34	29052.31	29085.61	29088.66	29110.52	29118.95	29112.06	29124.16	29130.75	29120.30	29130.75	29124.16	29112.06
G 10.0	28652.73	28831.26	28884.12	28885.86	28922.28	28903.53	28843.14	28871.75	28894.34	28861.43	28894.34	28871.75	28843.14
G 15.0	28299.72	28457.45	28502.74	28504.45	28558.57	28540.04	28465.46	28494.86	28505.20	28436.92	28505.20	28494.86	28465.46
G 20.0	27696.06	27940.83	28012.51	28009.11	28000.16	27925.45	27830.02	27866.46	27875.42	27785.65	27875.42	27866.46	27830.02
G 25.0	26998.84	27184.40	27308.54	27335.28	27261.53	27118.42	27017.04	27062.01	27054.19	26918.48	27054.19	27062.01	27017.04
G 30.0	26071.99	26262.86	26361.90	26345.70	26249.55	26077.80	25933.52	25946.38	25931.82	25810.22	25931.82	25946.38	25933.52
G 35.0	24922.75	25107.96	25223.58	25195.25	24994.02	24786.89	24685.25	24673.12	24647.21	24570.48	24647.21	24673.12	24685.25
G 40.0	23595.09	23760.54	23855.28	23793.04	23542.95	23346.62	23271.49	23189.66	23157.83	23194.80	23157.83	23189.66	23271.49
G 45.0	22125.78	22298.76	22421.89	22373.87	22067.96	21824.22	21740.07	21649.77	21630.00	21704.65	21630.00	21649.77	21740.07
G 50.0	20742.45	20856.01	20916.34	20827.93	20537.92	20318.01	20224.45	20097.82	20095.55	20256.88	20095.55	20097.82	20224.45
G 55.0	19332.14	19506.97	19611.57	19520.22	19167.70	18930.90	18859.81	18693.52	18667.16	18856.47	18667.16	18693.52	18859.81
G 60.0	18215.32	18317.17	18342.28	18232.61	17991.41	17785.73	17645.34	17487.10	17479.02	17649.39	17479.02	17487.10	17645.34
G 65.0	17231.56	17315.22	17347.46	17249.90	16979.04	16729.61	16580.09	16464.66	16440.46	16507.36	16440.46	16464.66	16580.09
G 70.0	16348.13	16427.77	16414.94	16307.37	16161.05	15916.21	15666.30	15580.24	15408.20	15059.00	15408.20	15580.24	15666.30
G 75.0	15557.40	15619.29	15704.39	15678.08	15339.94	14852.69	14516.09	14522.93	14476.51	14211.67	14476.51	14522.93	14516.09
G 80.0	14702.63	14827.21	14401.29	13862.42	14140.16	14271.54	13913.17	13654.67	13411.32	13088.99	13411.32	13654.67	13913.17
G 85.0	14739.70	14979.24	15326.26	15303.40	14367.59	13962.07	13893.81	12894.00	12756.66	14078.77	12756.66	12894.00	13893.81
G 90.0	0.00	0.00	0.00	0.00	0.00	0.00	0.00	0.00	0.00	0.00	0.00	0.00	0.00

Luminaria

Código 00-7384-05-05

Nombre INVISIBLE

Ensayo

Código 00-7384-05-05

Nombre INVISIBLE

Flujo Luminaria	550.96 lm	Potencia luminaria	11.50 W	Eficacia	47.91 lm/W	Eficiencia	100.00%
Flujo de Lámpara	550.96 lm	Valor Máximo	415.83 cd/klm	Posición	C=0.00 G=0.00	CG	Bisimétrico

Luminance cd/m2 Tabla 2/3

	C 130.00	C 140.00	C 150.00	C 160.00	C 170.00	C 180.00	C 190.00	C 200.00	C 210.00	C 220.00	C 230.00	C 240.00	C 250.00
G 0.0	29170.39	29170.39	29170.39	29170.39	29170.39	29170.39	29170.39	29170.39	29170.39	29170.39	29170.39	29170.39	29170.39
G 5.0	29118.95	29110.52	29088.66	29085.61	29052.31	28975.34	29052.31	29085.61	29088.66	29110.52	29118.95	29112.06	29124.16
G 10.0	28903.53	28922.28	28885.86	28884.12	28831.26	28652.73	28831.26	28884.12	28885.86	28922.28	28903.53	28843.14	28871.75
G 15.0	28540.04	28558.57	28504.45	28502.74	28457.45	28299.72	28457.45	28502.74	28504.45	28558.57	28540.04	28465.46	28494.86
G 20.0	27925.45	28000.16	28009.11	28012.51	27940.83	27696.06	27940.83	28012.51	28009.11	28000.16	27925.45	27830.02	27866.46
G 25.0	27118.42	27261.53	27335.28	27308.54	27184.40	26998.84	27184.40	27308.54	27335.28	27261.53	27118.42	27017.04	27062.01
G 30.0	26077.80	26249.55	26345.70	26361.90	26262.86	26071.99	26262.86	26361.90	26345.70	26249.55	26077.80	25933.52	25946.38
G 35.0	24786.89	24994.02	25195.25	25223.58	25107.96	24922.75	25107.96	25223.58	25195.25	24994.02	24786.89	24685.25	24673.12
G 40.0	23346.62	23542.95	23793.04	23855.28	23760.54	23595.09	23760.54	23855.28	23793.04	23542.95	23346.62	23271.49	23189.66
G 45.0	21824.22	22067.96	22373.87	22421.89	22298.76	22125.78	22298.76	22421.89	22373.87	22067.96	21824.22	21740.07	21649.77
G 50.0	20318.01	20537.92	20827.93	20916.34	20856.01	20742.45	20856.01	20916.34	20827.93	20537.92	20318.01	20224.45	20097.82
G 55.0	18930.90	19167.70	19520.22	19611.57	19506.97	19332.14	19506.97	19611.57	19520.22	19167.70	18930.90	18859.81	18693.52
G 60.0	17785.73	17991.41	18232.61	18342.28	18317.17	18215.32	18317.17	18342.28	18232.61	17991.41	17785.73	17645.34	17487.10
G 65.0	16729.61	16979.04	17249.90	17347.46	17315.22	17231.56	17315.22	17347.46	17249.90	16979.04	16729.61	16580.09	16464.66
G 70.0	15916.21	16161.05	16307.37	16414.94	16427.77	16348.13	16427.77	16414.94	16307.37	16161.05	15916.21	15666.30	15580.24
G 75.0	14852.69	15339.94	15678.08	15704.39	15619.29	15557.40	15619.29	15704.39	15678.08	15339.94	14852.69	14516.09	14522.93
G 80.0	14271.54	14140.16	13862.42	14401.29	14827.21	14702.63	14827.21	14401.29	13862.42	14140.16	14271.54	13913.17	13654.67
G 85.0	13962.07	14367.59	15303.40	15326.26	14979.24	14739.70	14979.24	15326.26	15303.40	14367.59	13962.07	13893.81	12894.00
G 90.0	0.00	0.00	0.00	0.00	0.00	0.00	0.00	0.00	0.00	0.00	0.00	0.00	0.00

Luminaria

Código 00-7384-05-05

Nombre INVISIBLE

Ensayo

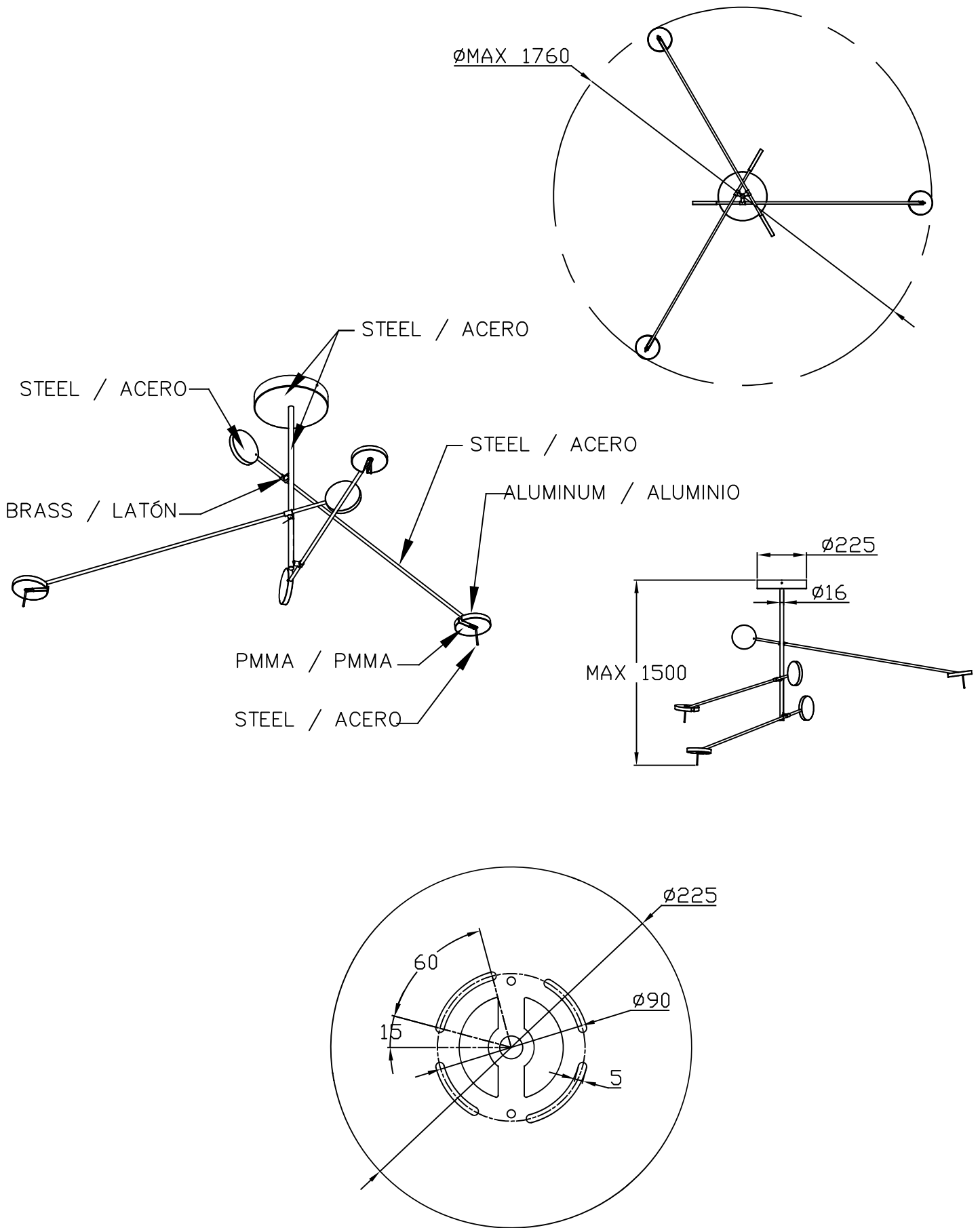
Código 00-7384-05-05

Nombre INVISIBLE

Flujo Luminaria	550.96 lm	Potencia luminaria	11.50 W	Eficacia	47.91 lm/W	Eficiencia	100.00%
Flujo de Lámpara	550.96 lm	Valor Máximo	415.83 cd/klm	Posición	C=0.00 G=0.00	CG	Bisimétrico

Luminance cd/m2 Tabla 3/3

	C 260.00	C 270.00	C 280.00	C 290.00	C 300.00	C 310.00	C 320.00	C 330.00	C 340.00	C 350.00
G 0.0	29170.39	29170.39	29170.39	29170.39	29170.39	29170.39	29170.39	29170.39	29170.39	29170.39
G 5.0	29130.75	29120.30	29130.75	29124.16	29112.06	29118.95	29110.52	29088.66	29085.61	29052.31
G 10.0	28894.34	28861.43	28894.34	28871.75	28843.14	28903.53	28922.28	28885.86	28884.12	28831.26
G 15.0	28505.20	28436.92	28505.20	28494.86	28465.46	28540.04	28558.57	28504.45	28502.74	28457.45
G 20.0	27875.42	27785.65	27875.42	27866.46	27830.02	27925.45	28000.16	28009.11	28012.51	27940.83
G 25.0	27054.19	26918.48	27054.19	27062.01	27017.04	27118.42	27261.53	27335.28	27308.54	27184.40
G 30.0	25931.82	25810.22	25931.82	25946.38	25933.52	26077.80	26249.55	26345.70	26361.90	26262.86
G 35.0	24647.21	24570.48	24647.21	24673.12	24685.25	24786.89	24994.02	25195.25	25223.58	25107.96
G 40.0	23157.83	23194.80	23157.83	23189.66	23271.49	23346.62	23542.95	23793.04	23855.28	23760.54
G 45.0	21630.00	21704.65	21630.00	21649.77	21740.07	21824.22	22067.96	22373.87	22421.89	22298.76
G 50.0	20095.55	20256.88	20095.55	20097.82	20224.45	20318.01	20537.92	20827.93	20916.34	20856.01
G 55.0	18667.16	18856.47	18667.16	18693.52	18859.81	18930.90	19167.70	19520.22	19611.57	19506.97
G 60.0	17479.02	17649.39	17479.02	17487.10	17645.34	17785.73	17991.41	18232.61	18342.28	18317.17
G 65.0	16440.46	16507.36	16440.46	16464.66	16580.09	16729.61	16979.04	17249.90	17347.46	17315.22
G 70.0	15408.20	15059.00	15408.20	15580.24	15666.30	15916.21	16161.05	16307.37	16414.94	16427.77
G 75.0	14476.51	14211.67	14476.51	14522.93	14516.09	14852.69	15339.94	15678.08	15704.39	15619.29
G 80.0	13411.32	13088.99	13411.32	13654.67	13913.17	14271.54	14140.16	13862.42	14401.29	14827.21
G 85.0	12756.66	14078.77	12756.66	12894.00	13893.81	13962.07	14367.59	15303.40	15326.26	14979.24
G 90.0	0.00	0.00	0.00	0.00	0.00	0.00	0.00	0.00	0.00	0.00

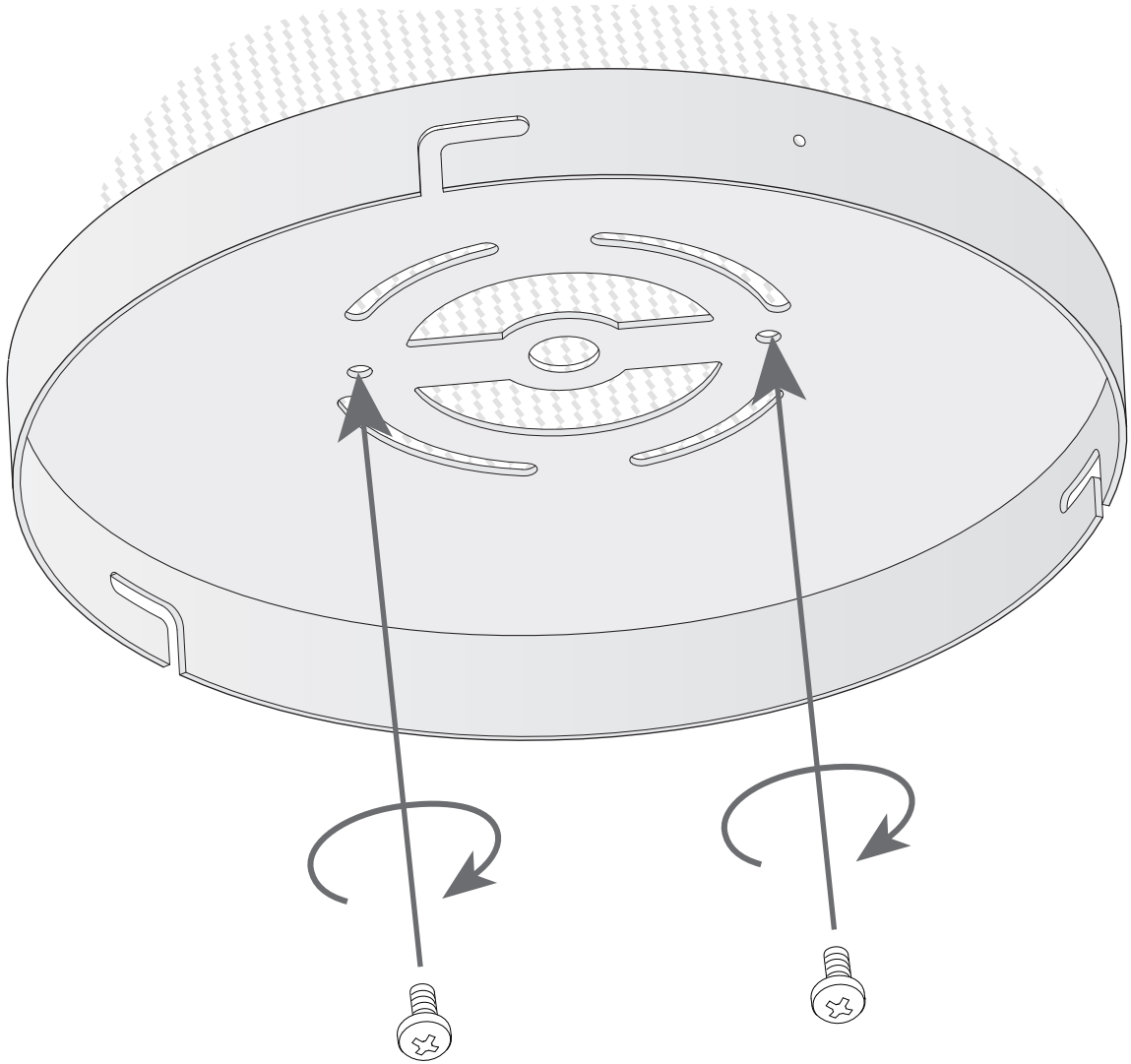


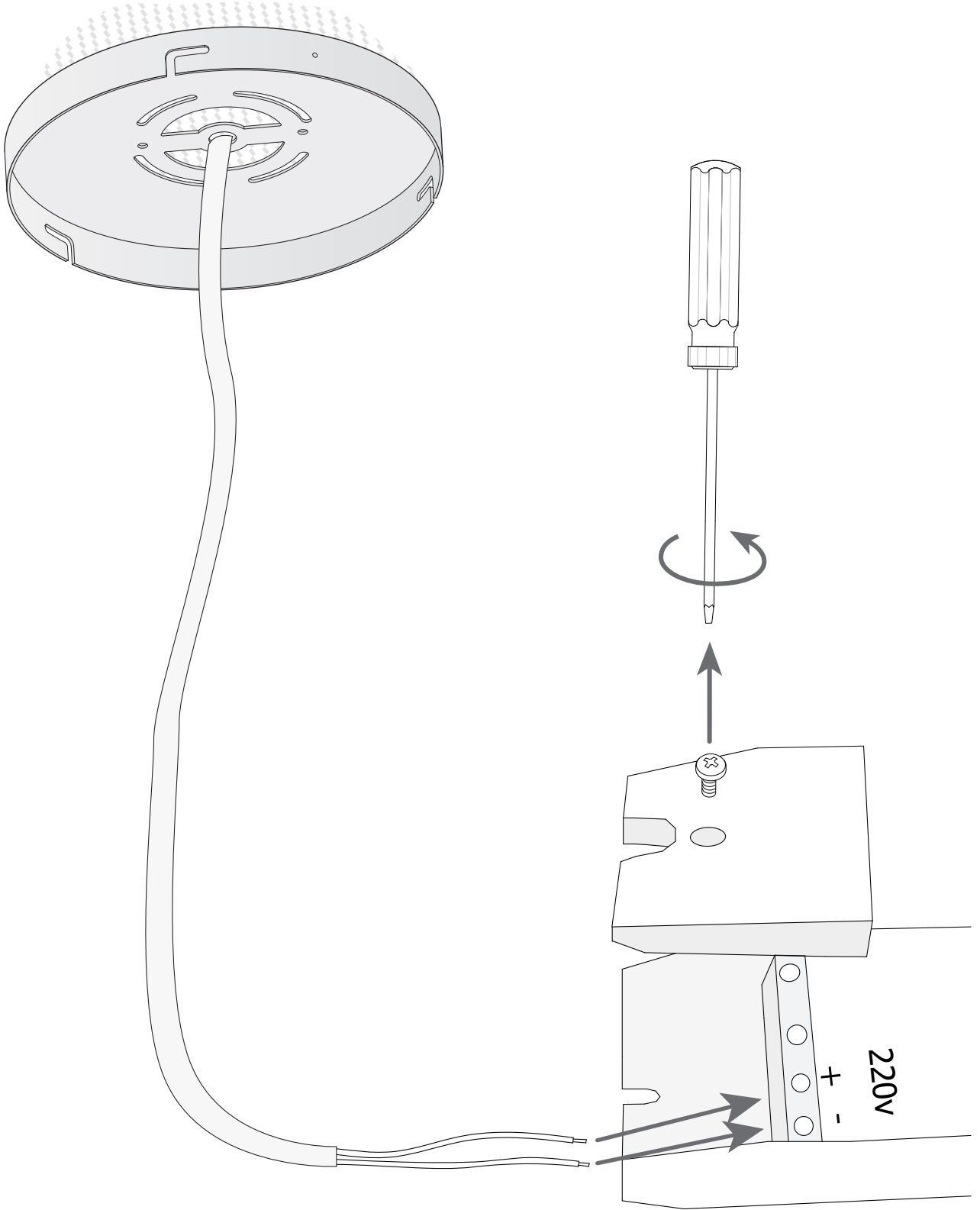
Grok

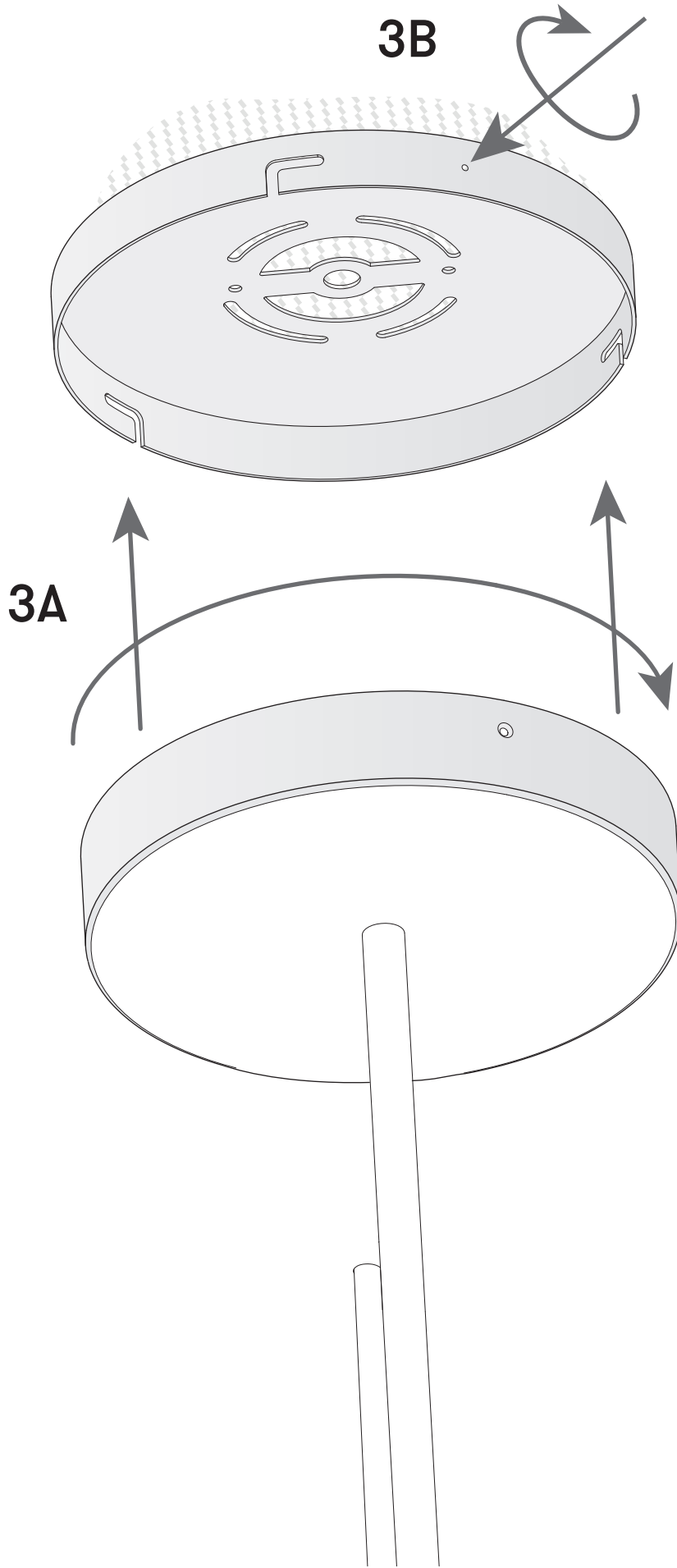
Light is life.

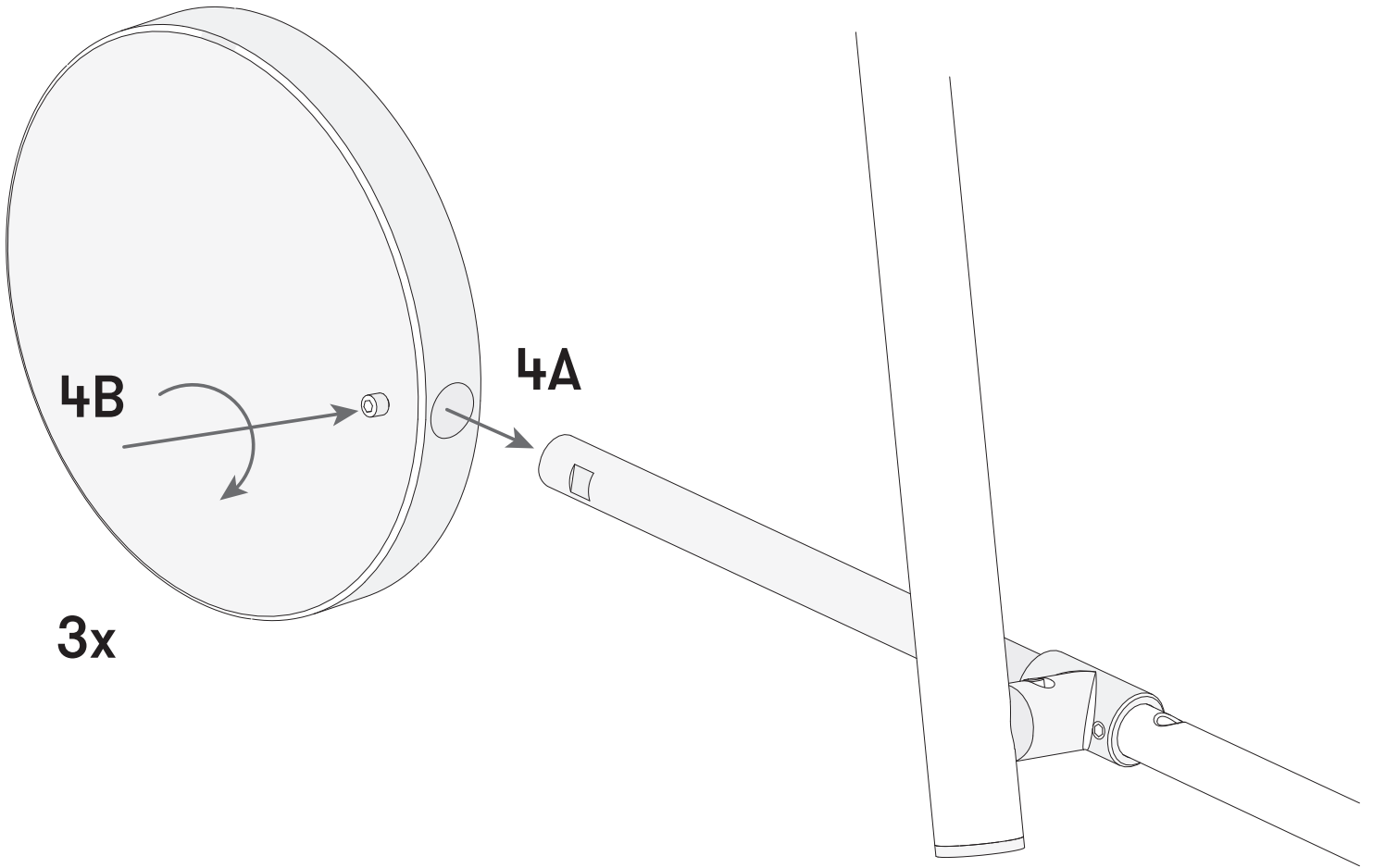
Invisible
00-5695 | 00-5696 | 00-7384 | 00-7385

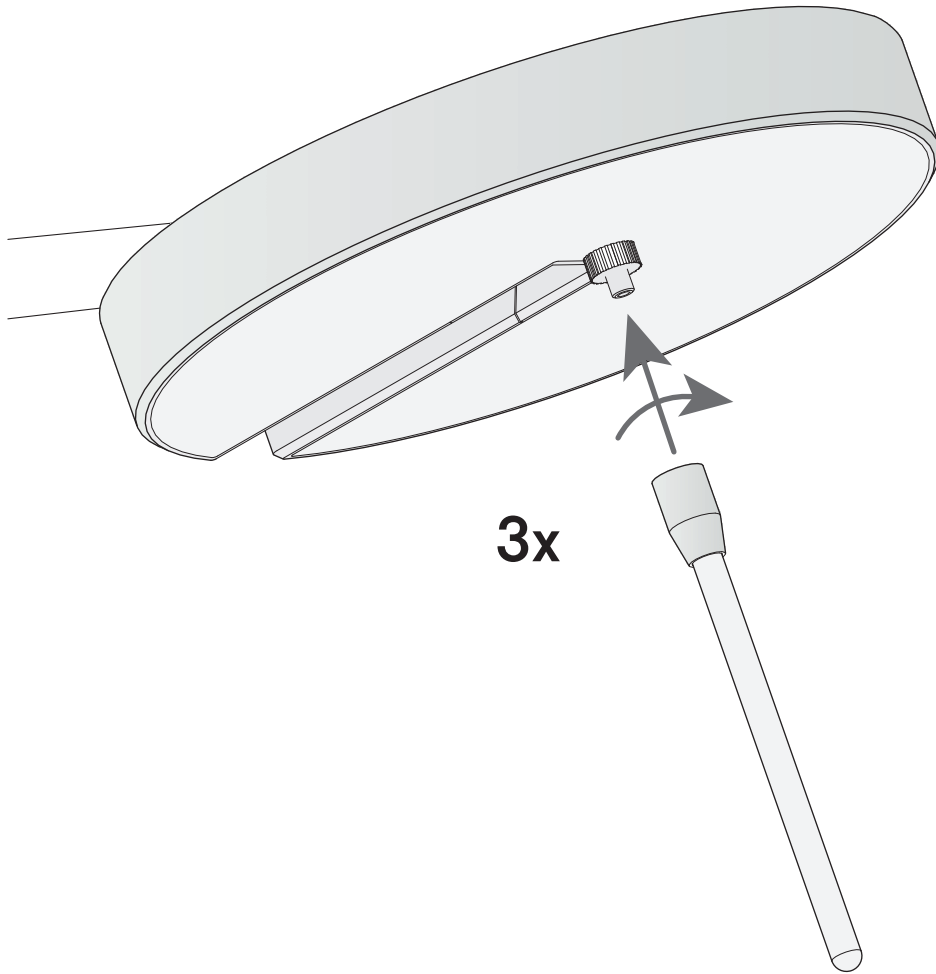
1

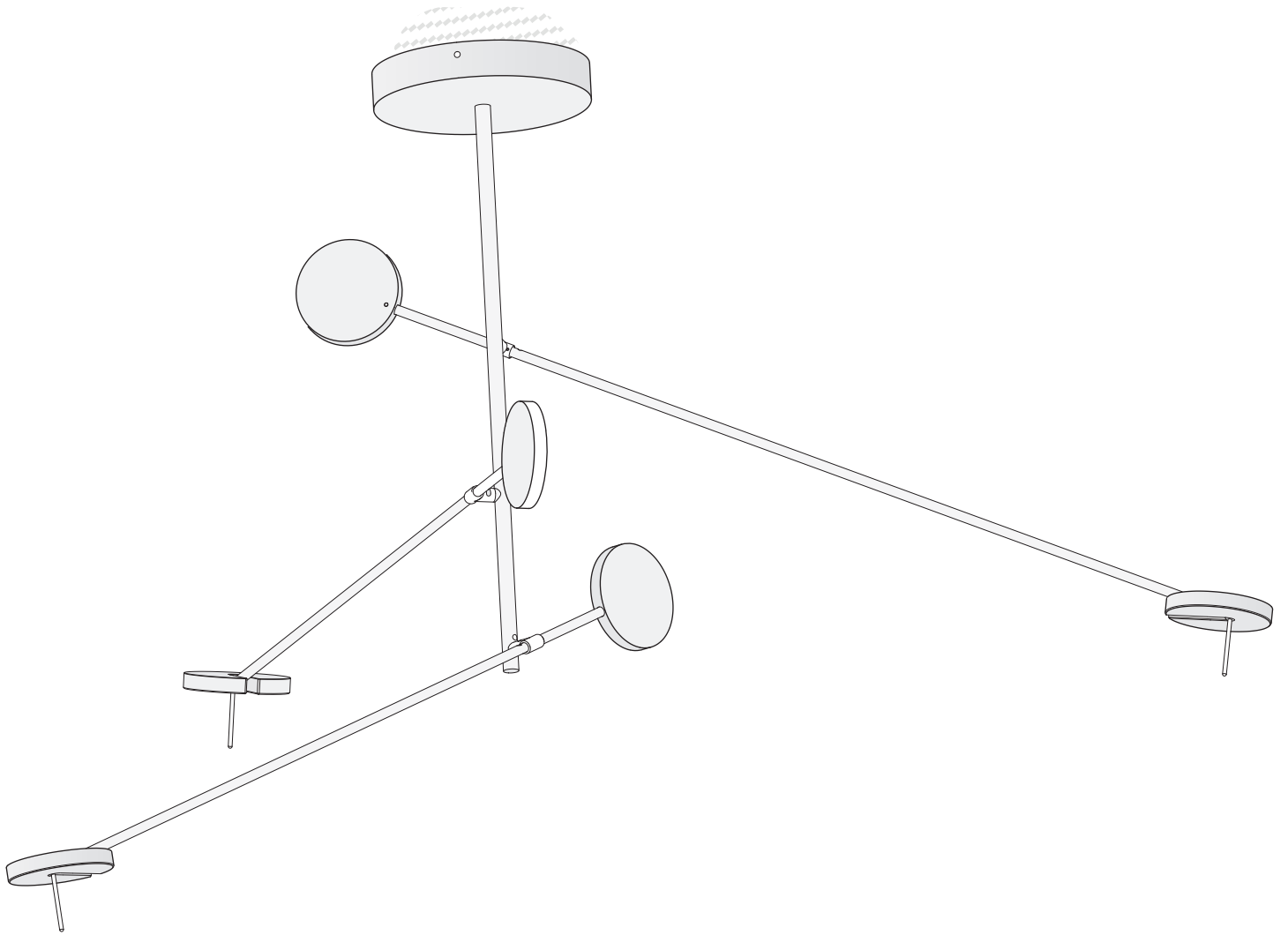












(ES) Derechos de garantía

El fabricante **LEDS-C4, S.A.** garantiza al consumidor y usuario el correcto funcionamiento del producto y posibles reparaciones o suministro de recambios del modelo debidos a defectos de fabricación durante el periodo de **5 años*** desde la fecha de entrega, pero no puede responsabilizarse de daños y/o perjuicios causados por un mal empleo del mismo. Para cualquier reclamación, se deberá adjuntar a esta garantía el ticket de compra. La empresa se compromete a la reparación total gratuita de los vicios o defectos detectados en el producto. Asimismo, si la reparación no es satisfactoria y el objeto no alcanza las condiciones óptimas para cumplir el uso al que está destinado, el titular de la garantía tendrá derecho a la sustitución del objeto adquirido por otro de idénticas características, a la rebaja del precio o la resolución del contrato. ***Consultar condiciones de garantía en www.leds-c4.com.**

Composición: Acabados: baños y/o pinturas epoxi y compuestos de materiales nobles. Estructuras: latón, acero y materiales de fundición. Otros componentes: alabastro, cristal, pantallas de tela, madera y piel.

MANTENIMIENTO: Desconectar la tensión de la red de alimentación antes de llevar a cabo cualquier operación de mantenimiento. No utilizar bombillas de distinto tipo ni de potencia superior a la indicada en la etiqueta de la luminaria. Durante las operaciones de limpieza, y para asegurar una mejor conservación, utilizar un paño suave y seco. El uso de productos abrasivos o de disolventes puede deteriorar el acabado de la luminaria.

IMPORTANTE: 1- La conexión eléctrica debe realizarla un técnico electricista. La manipulación interna o externa de la luminaria puede comprometer su seguridad. LEDS-C4, S.A. no se hará responsable de ninguna manipulación hecha por el usuario. 2- Si el cable o cordón de esta luminaria está dañado, deberá sustituirse exclusivamente por el fabricante o su servicio técnico, o por una persona con calificación equivalente, con objeto de evitar cualquier posible riesgo. 3- No monte la luminaria sobre superficies húmedas, recién pintadas o que presenten conductividad eléctrica. 4- Todas las luminarias sin protección especial contra la penetración de polvo o de humedad (sin marca IP) son aptas para uso en interior, excepto en baños. 5- Utilice sistemas de sujeción acordes con el peso del aparato. 6- Aleje siempre las conexiones y los cables de los puntos de calor de la luminaria. 7- Asegúrese de que los conductores de la instalación no resulten deteriorados por los tornillos de sujeción. 8- Bajo ninguna circunstancia la luminaria debe ser cubierta. 9- Las lámparas se calientan mucho durante su funcionamiento. Tóquelas sólo cuando se hayan enfriado, pasados 15 minutos. 10- No colgar ni apoyar elementos sobre las luminarias.

SÍMBOLOS:



Luminaria no adecuada para cubrirse con material aislante térmico.



Luminaria superficial no adecuada para montaje en superficies normalmente inflamables.



Luminaria empotrada no adecuada para montaje en normalmente superficies inflamables.



Todas las luminarias marcadas con este símbolo son de Clase I. El conductor de toma de tierra debe conectarse al borne marcado con el símbolo de toma de tierra.



Todas las luminarias marcadas con este símbolo son de Clase II. Ninguna parte metálica de las luminarias de Clase II se conectará al conductor de toma de tierra de la instalación de la vivienda.



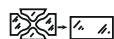
Todas las luminarias marcadas con este símbolo son de Clase III, lo cual significa que funcionan a muy baja tensión. Ninguna parte metálica de las luminarias de Clase III se conectará al conductor de toma de tierra de la instalación de la vivienda.



Este símbolo indica la distancia mínima entre el foco de la luminaria y el objeto iluminado.



Todas las luminarias marcadas con este símbolo están diseñadas para usar únicamente lámparas halógenas de wolframio o lámparas de halógenos metálicos con pantalla de protección propia.



Todas las luminarias marcadas con este símbolo deben equiparse con la pantalla de protección suministrada con la luminaria. Sustituir cualquier protector roto o defectuoso.



Precaución, riesgo de choque eléctrico.



No mirar fijamente a la fuente de luz en funcionamiento.



El símbolo de la papelera tachada en el aparato o en el embalaje, indica que el producto al final de su vida deberá eliminarse por separado de los demás desechos.

(EN) Warranty rights

LEDS-C4, S.A. guarantees to the consumer and the user of this product its correct operation and covers any possible repairs or the supply of parts for this product due to manufacturing defects for **5 years*** from the date of delivery. LEDS-C4, S.A. does not accept liability for any damages arising from incorrect use of this product. Please note that, in order to make a claim, you will be required to present this guarantee certificate together with proof of purchase. LEDS-C4, S.A. will completely repair the defects in the product free of charge. Also, if the product was not repaired to a satisfactory standard or if it was not fit for purpose, the holder of the guarantee will be entitled to the replacement of the purchased product for another one of the same features, to a price reduction or to the termination of the contract. ***Check warranty conditions at www.leds-c4.com.**

Composition: Finishes: plating and/or Epoxy paints and compounds of noble materials. Structure: brass, steel and cast iron. Other components: alabaster, crystal, fabric shades, wood and leather.

MAINTENANCE: Disconnect the mains voltage before starting any maintenance work. Do not use bulbs with a higher wattage than stated on the label of the luminaire. When cleaning, use a dry soft cloth to avoid damage. The use of abrasive products or solvents may harm the finish of the luminaire.

IMPORTANT: 1- The electrical connection of the luminaire should be performed by a qualified electrician. The internal or external manipulation of the luminaire may reduce its safety. LEDS-C4, S.A. cannot be held liable for any manipulation carried out by the user. 2- Should the luminaire cable or lead be damaged, it should be replaced only by the manufacturer or their technical service department, or someone equally qualified, in order to avoid any risk. 3- Do not install the luminaire on surfaces that are moist, freshly painted or electrically conductive. 4- All luminaires without special protection against dust or moisture (no IP rating) may be used indoors, except in bathrooms. 5- Use fastening systems appropriate to the weight of the appliance. 6- Make sure the connections and cables do not come into contact with the hot parts of the luminaire. 7- Make sure the installation conductors are not damaged by the fastening screws. 8- Under no circumstances should the luminaire be covered. 9- The lamps become very hot during operation. Let them cool down for 15 minutes after switch-off before handling them. 10- Do not lean or hang any objects from the luminaire.

SYMBOLS:



Luminaires not suitable for covering with thermally insulating material.



Surface luminaire not suitable for direct mounting on normally flammable surfaces.



Recessed luminaire not suitable for direct mounting on normally flammable surfaces.



All the luminaires bearing this symbol belong to Class I. The earth wire must be connected to the terminal marked with the Earth symbol.



All luminaires bearing this symbol are Class II. No metal part of Class II luminaires shall be connected to the earth connection of the home installation.



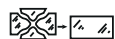
All luminaires bearing this symbol are Class III, which means that they operate at very low voltage. No metal part of Class III luminaires shall be connected to the earth connection of the home installation.



This symbol indicates the minimum distance to be left between the lamp of the luminaire and the object illuminated.



All luminaires bearing this symbol should be installed only with halogen wolfram lamps or metal halide lamps with their own enclosure.



All luminaires bearing this symbol should be installed with their protective enclosure. Replace any enclosure that is broken or faulty.



Caution, risk of electric shock.



Do not stare at the light source when in operation.



The crossed bin symbol on the device or on the packaging means that, at the end of its life, the product will need to be disposed of separately from the rest of residues.

(FR) Drots de garantie

Le fabricant **LEDS-C4, S.A.** garantit au consommateur et à l'utilisateur le fonctionnement correct du produit, ainsi que d'éventuelles réparations ou livraisons de pièces de rechange du modèle en cas de défauts de fabrication, pendant la période de **5 ans*** à compter de la date de livraison. Il ne peut toutefois être tenu responsable des dommages et/ou préjudices occasionnés par une mauvaise utilisation du produit. Pour toute réclamation, il convient de joindre le ticket d'achat à la présente garantie. L'entreprise s'engage à réparer totalement et gratuitement les vices ou défauts détectés sur le produit. De même, si la réparation ne s'avère pas satisfaisante ou que l'objet ne remplit pas les conditions optimales nécessaires pour assurer l'utilisation à laquelle il est destiné, le titulaire de la garantie a droit au remplacement de l'objet acquis par un autre aux caractéristiques identiques, à une réduction de prix ou à la résolution du contrat. ***Consultez les conditions la garantie sur www.leds-c4.com.**

Composition: Finitions: par trempage et/ou peintures époxy et matériaux nobles. Structures : laiton, acier et matériaux de fonte. Autres composants : albâtre, verre, abat-jour en tissu, bois et cuir.

ENTRETIEN: Déconnecter le luminaire du réseau d'alimentation avant de réaliser toute opération d'entretien. Ne pas utiliser d'ampoules d'un autre type ou d'une puissance supérieure à celle indiquée sur l'étiquette du luminaire. Au cours des opérations de nettoyage, pour garantir une meilleure conservation, utiliser un chiffon doux et sec. L'utilisation de produits abrasifs ou de solvants peut détériorer la finition du luminaire.

IMPORTANT: 1- Le raccordement électrique sera effectué par un technicien électricien. La manipulation interne ou externe du luminaire peut compromettre votre sécurité. LEDS-C4, S.A. n'est pas responsable des manipulations réalisées par l'utilisateur. 2- Si le câble ou le cordon du luminaire est endommagé, il devra être remplacé uniquement par le fabricant, le service technique ou quelqu'un de qualifié afin d'éviter tout risque éventuel. 3- Ne pas monter le luminaire sur une surface humide, récemment peinte ou présentant une forte conductivité électrique. 4- Tous les luminaires sans protection particulière contre la poussière ou l'humidité (sans marque IP) sont aptes à une utilisation en intérieur, à l'exception des salles de bains. 5- Utiliser des systèmes de fixation adaptés au poids de l'appareil. 6- Éloigner systématiquement les connexions et les câbles des points de chaleur du luminaire. 7- S'assurer que les conducteurs de l'installation ne sont pas endommagés par les vis de fixation. 8- Le luminaire ne doit en aucun cas être couvert. 9- Les lampes chauffent beaucoup en cours de fonctionnement. Ne les touchez qu'une fois refroidies, au bout de 15 minutes. 10- Ne pas accrocher ou appuyer d'éléments sur les luminaires.

SYMBOLES:



Ne pas recouvrir le luminaire avec du matériel isolant.



Luminaire superficiel non appropriée pour montage sur des surfaces normalement Inflammables.



Luminaire construite non appropriée pour montage sur des surfaces normalement Inflammables.



Tous les luminaires marqués de ce symbole sont de Classe I. Le conducteur de prise de terre est à relier à la borne marquée du symbole correspondant.



Tous les luminaires marqués de ce symbole appartiennent à la catégorie II. Aucune partie métallique d'un luminaire de catégorie II ne doit être raccordée à la terre de l'installation.



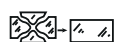
Tous les luminaires marqués de ce symbole appartiennent à la catégorie III, ce qui signifie qu'ils fonctionnent à très basse tension. Aucune partie métallique d'un luminaire de catégorie III ne doit être raccordée à la terre de l'installation.



Ce symbole désigne la distance minimale entre l'ampoule d'un luminaire et l'objet à éclairer.



Tous les luminaires marqués de ce symbole, sont uniquement prévus pour utiliser des lampes halogènes en wolfram ou lampes en halogénures métalliques avec écran de protection propre.



Tous les luminaires marqués de ce symbole doivent être équipés de l'écran de protection fourni avec l'appareil. Remplacer tout écran brisé ou défectueux.



Attention, risque de choc électrique.



Ne pas regarder directement la source de lumière en fonctionnement.



La présence, sur l'appareil ou l'emballage, du symbole de la corbeille à papier barrée d'un trait indique qu'en fin de vie le produit est à éliminer séparément des autres déchets.

(DEU) Garantieansprüche

Der Hersteller **LEDS-C4, S.A.** gewährleistet dem Endkunden (Verbraucher) für eine Garantielaufzeit von **5 Jahren*** ab Kaufdatum den einwandfreien Betrieb des Geräts sowie eventuell notwendige Reparaturen oder Ersatzteillieferungen für das Modell als Folge von Mängeln, die aus Herstellungsfehlern resultieren. Der Hersteller übernimmt jedoch keine Verantwortung für Schäden, die auf unsachgemäße Handhabung des Gerätes zurückzuführen sind. Bei einer Reklamation müssen die Garantiekarte und der Kaufbeleg mit eingeschickt werden. Unsere Firma verpflichtet sich zur vollständigen und kostenlosen Reparatur der am Produkt festgestellten Mängeln oder Störungen. Sollte die Reparatur nicht zufriedenstellend ausfallen und das instandgesetzte Modell nicht voll funktionstüchtig sein, hat der Garantieinhaber Anspruch auf Lieferung eines gleichwertigen Ersatzartikels, einen Preisnachlass oder die Vertragsauflösung mit Erstattung des Kaufpreises. ***Konsultieren Sie die Bedingungen der Garantie** auf www.leds-c4.com.

Bestandteile: Oberflächen: Epoxi Galvanisierung und/oder Farben und Edelmetalle. Lampenkörper: Messing, Stahl und Gussmetalle. Andere Bestandteile: Alabaster, Glas, Lampenschirme aus Stoff, Holz und Leder.

WARTUNG: Nehmen Sie vor allen Wartungsarbeiten die Netzsicherung heraus. Verwenden Sie nur Glühbirnen gleichen Typs und beachten Sie die auf dem Typenschild angegebene maximale Lampenleistung. Verwenden Sie bei Reinigungsarbeiten zur größtmöglichen Schonung der Lampe ein weiches, trockenes Tuch. Scheuer- und Lösungsmittel können die Oberfläche der Lampe angreifen.

WICHTIGE HINWEISE: 1- Der elektrische Anschluss sollte von einem Fachmann vorgenommen werden. Eigenmächtige Arbeiten im oder am Lampengehäuse können ein Sicherheitsrisiko darstellen. LEDS-C4, S.A. übernimmt keinerlei Haftung bei unsachgemäßen Eingriffen durch den Benutzer. 2- Falls das Stromzufuhrkabel oder die Stromzufuhrschnur dieser Leuchte beschädigt ist, darf diese aus Sicherheitsgründen nur durch den Hersteller selbst, seinen technischen Reparaturdienst oder einen entsprechend qualifizierten Fachmann ersetzt werden. 3- Die Leuchte darf nicht auf feuchten, kurz zuvor angestrichenen oder elektrisch leitenden Flächen installiert werden. 4- Die Leuchten ohne besonderen Schutz gegen das Eindringen von Staub und Feuchtigkeit (ohne IP Markierung) sind geeignet für den Gebrauch in Innenräumen, ausgenommen dem Badezimmer. 5- Benutzen Sie Befestigungsvorrichtungen, die dem Gewicht des Gerätes entsprechen. 6- Achten Sie darauf, dass die Stromanschlüsse und Leitungen möglichst weit von den Wärme abstrahlenden Stellen der Leuchte entfernt sind. 7- Versichern Sie sich, dass die Stromzufuhrkabel der Anlage nicht von den Befestigungsschrauben beschädigt werden. 8- Die Leuchte darf unter keinen Umständen abgedeckt werden. 9- Die Lampen werden während des Betriebs sehr heiß. Vor dem Anfassen mindestens 15 Minuten warten, bis sie etwas abgekühlt sind. 10- Keine Gegenstände an die Leuchten hängen oder an ihnen abstützen.

SYMBOLER:



Leuchten nicht mit Dämm-Material abdecken.



Oberflächliche Leuchten dürfen nicht auf unter normalen Bedingungen leicht entzündbaren Oberflächen angebracht werden.



Einbauleuchte dürfen nicht auf unter normalen Bedingungen leicht entzündbaren Oberflächen angebracht werden.



Alle mit diesem Symbol gekennzeichneten Leuchten sind der Klasse I. Der Erdungsanschluss muss an die mit dem Erdungssymbol gekennzeichneten Klemme angeschlossen werden.



Alle mit diesem Symbol gekennzeichneten Leuchten gehören der Klasse II an. Metallteile von Leuchten der Klasse II dürfen nicht mit der Erdung der elektrischen Installation in der Wohnung in Berührung kommen.



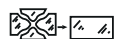
Alle mit diesem Symbol gekennzeichneten Leuchten sind Niederspannungsleuchten der Klasse III. Metallteile von Leuchten der Klasse III dürfen nicht mit der Erdung der elektrischen Installation in der Wohnung in Berührung kommen.



Dieses Symbol gibt den Mindestabstand zwischen der Lichtquelle und dem zu beleuchtenden Objekt an.



Sämtliche mit diesen Zeichen ausgestatteten Leuchten sind dazu entworfen worden, ausschließlich mit Wolfram-Halogenleuchten oder mit Metaldampf Leuchten mit eigenem Schutzschild bestückt zu werden.



Alle mit diesem Symbol gekennzeichneten Leuchten müssen mit dem beiliegenden Schutzschirm versehen werden. Tauschen Sie in jedem Fall den zerbrochenen oder fehlerhaften Schutz aus.



Vorsicht, Stromschlaggefahr.



Nicht direkt in die Lichtquelle blicken.



Das Symbol des durchgestrichenen Papierkorbs auf dem Gerät oder der Verpackung bedeutet, dass das Produkt am Ende seiner Nutzungsdauer als Sondermüll entsorgt werden muss.

LEDS-C4, S.A.
Spain
groklighting.com