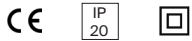


Petit Tatu

André Ricard. 2019
Wall lamp



.....

Tatu, Spanish for armadillo, is a friendly mammal with a shell on its back that protects it when it rolls up into a ball. André Ricard had the idea for Tatu during a transoceanic flight; while reading about Argentinean wildlife, he observed that the light above his seat did not disturb his sleeping wife who was sitting next to him.

To commemorate the 90th birthday of André Ricard, a key figure in the history of industrial design in Spain, we present Petit Tatu, a smaller, wall-mounted version of the lamp. Like its desktop equivalent, this wall light's ability to fully rotate and its easy adjustability –of both light intensity and spot size–will delight users.

On its own or as part of a series, in white or red, Petit Tatu is perfect for corridors and to direct light wherever it is needed.

.....

General description:

Gyratory structure manufactured in red or S&C white ABS plastic.
Adjustable focal length from 30° to 50°.

.....

Technical information:

Light source included (dimmable).
LEDs module
Rated input wattage: 6 W
Operating current: 350 mA
Colour Temp.: 2.700 K
CRI: 90
Lifetime: 40.000 h
Luminous flux: 171 lm

Built-in adjustable LED.
Suitable for dimming 1-10V. (Not included external dimmer switch 1-10V).
Energy efficiency class (E.E.C): A+... A.
Lamp suitable only for indoor use.

Input voltage: 100 ~ 230 Vac.
(50 Hz / 60 Hz). According to destination.

.....

Approximate weight (unpacked):

0,6 Kg / 1.3 lb

Petit Tatu

André Ricard. 2019
Wall lamp

Regulations:

CE
UNE-EN 60598
UNE-EN 55015
UNE-EN 60529
UNE-EN 61000-3-2

UL
UL listing in progress
Dry location only
UL-1598
E33677

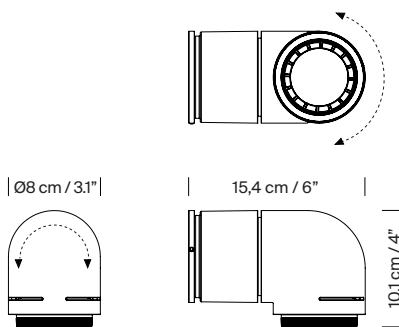
Maintenance:

Clean with a smooth cloth. Do not use ammonia, solvents or abrasive cleaning products.

Others:

The lamp is delivered in one package.
The assembly instructions are delivered with the product.

Model:



Collection:

Table lamps



Tatu

Wall lamps



Petit Tatu