

# ASSEMBLY INSTRUCTION

## CP1302-A-1136



A x6  
Spec: M6\*25



B x6  
Spec: M18\*8.2\*2



C x2  
Spec:



D x4  
Spec: Ø3.5\*L32



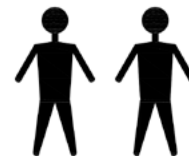
E x4  
Spec:



F x6  
Spec: 10\*4\*1



G x2  
Spec: Ø4\*L16



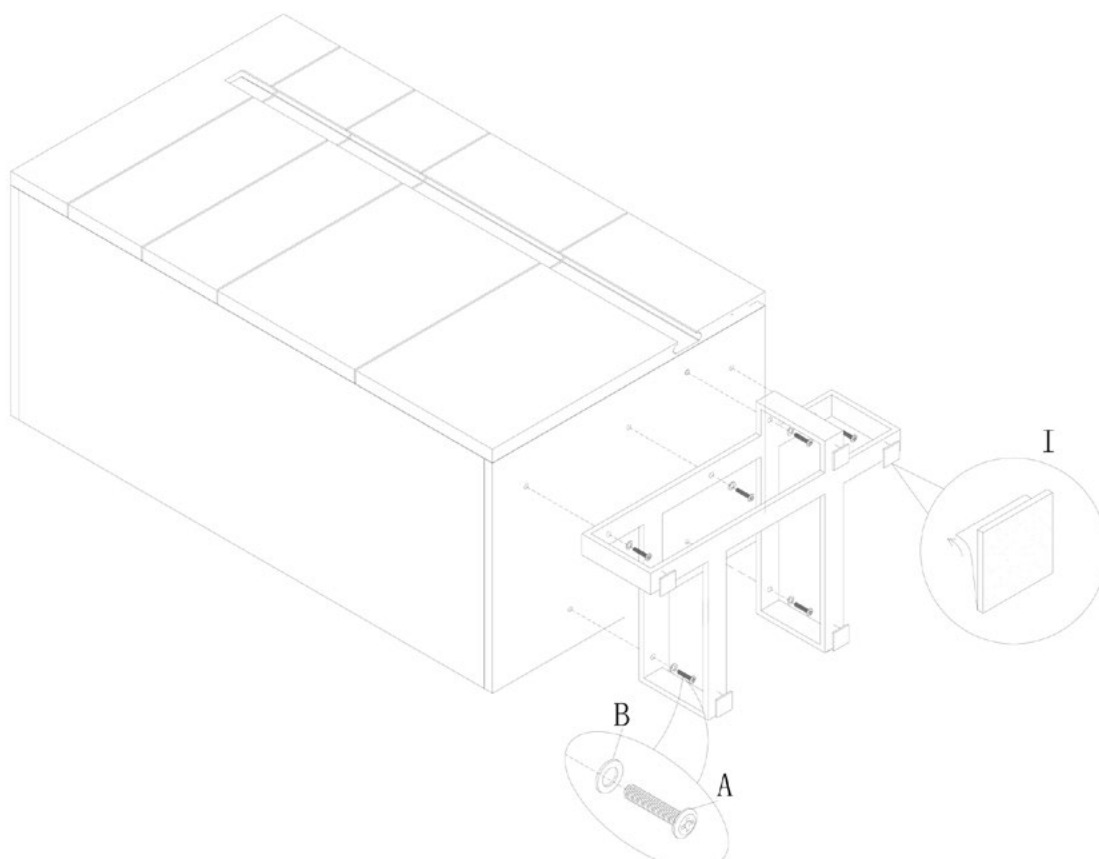
H x2  
Spec:



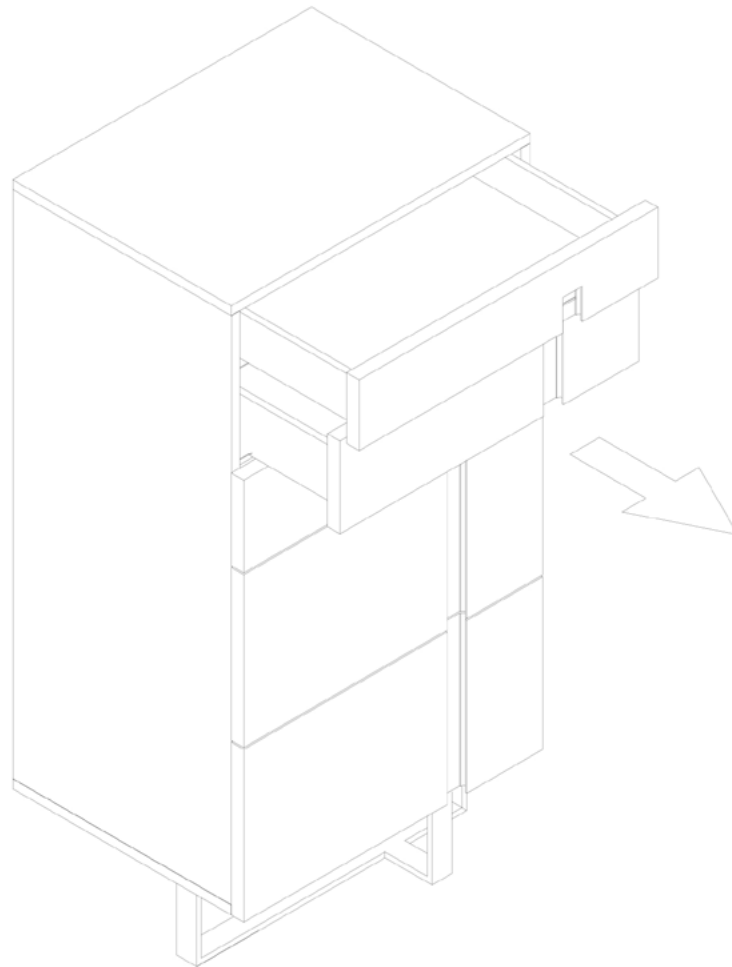
I x5  
Spec: 38\*38



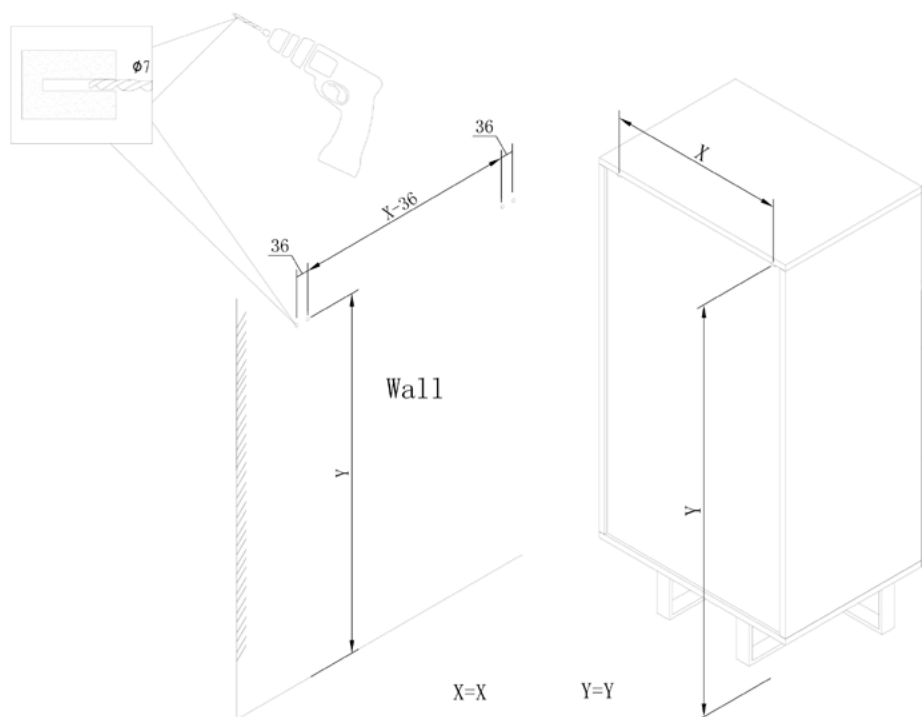
FIG.  
1



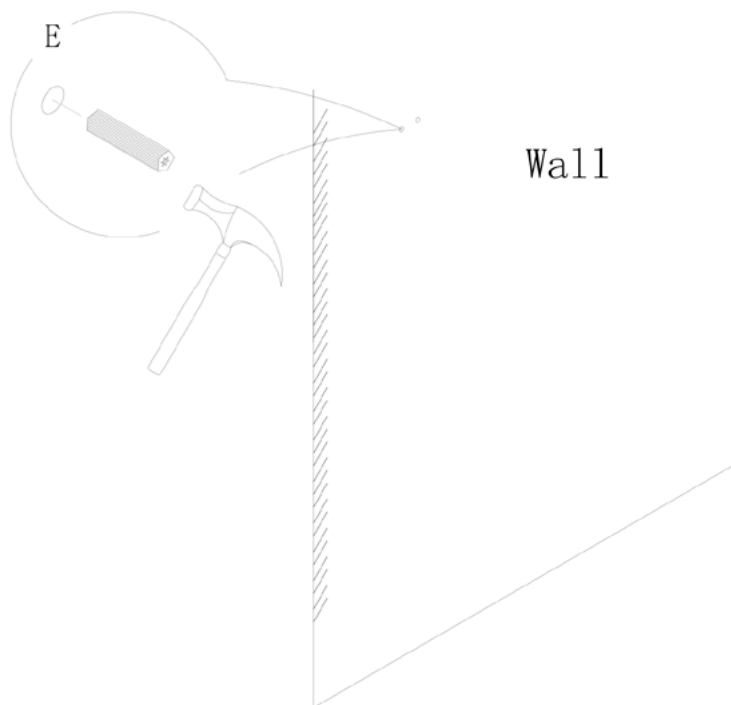
**FIG.**  
**2**



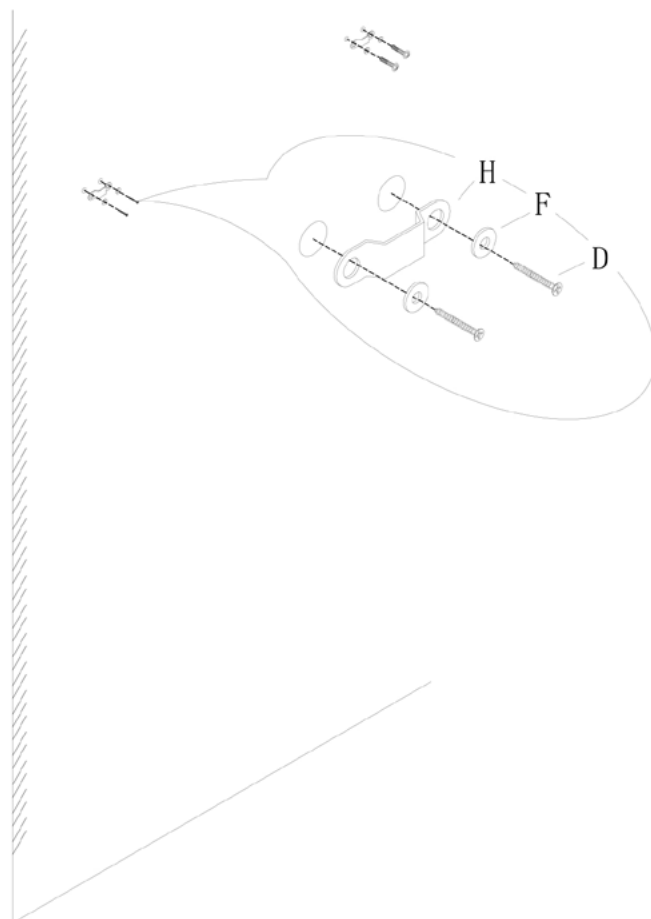
**FIG.**  
**3**



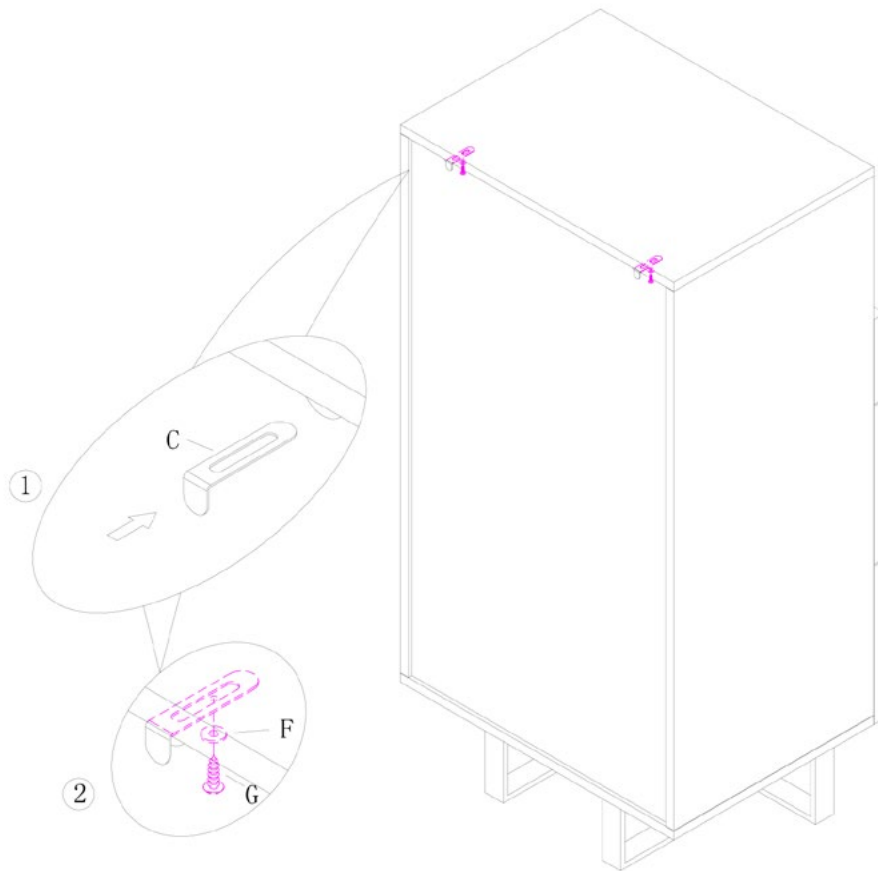
**FIG.**  
**4**



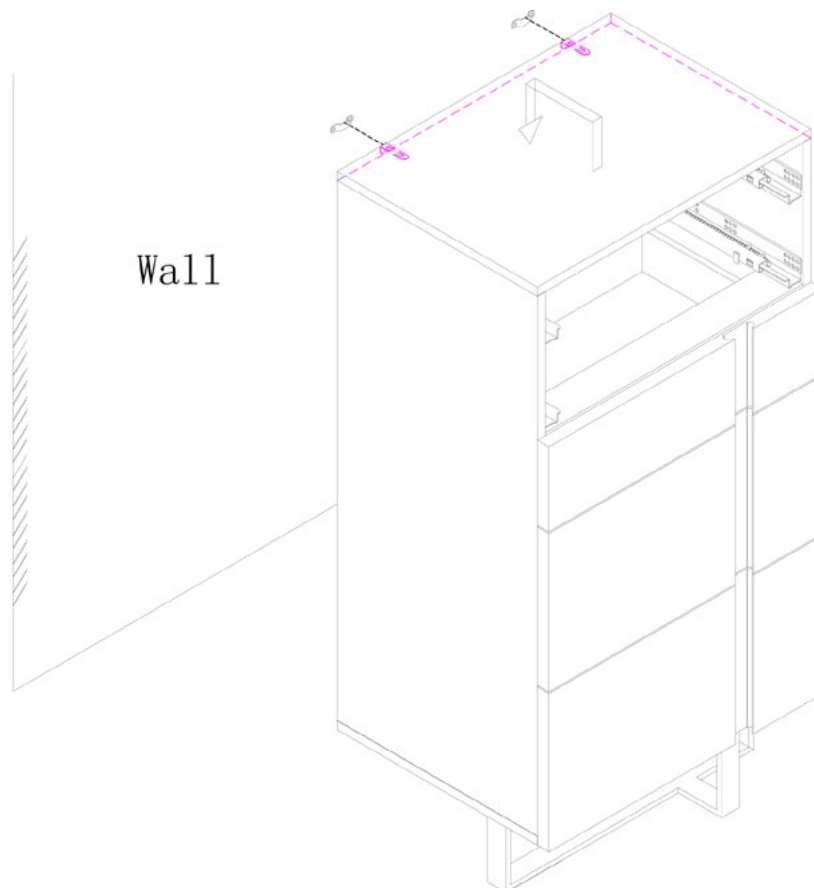
**FIG.**  
**5**



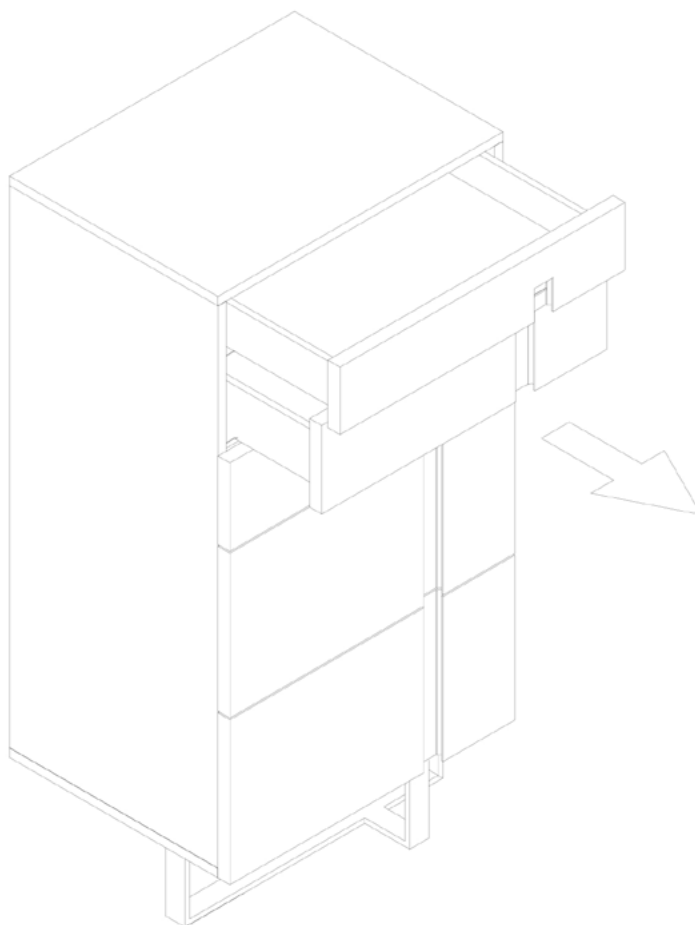
**FIG.**  
**6**



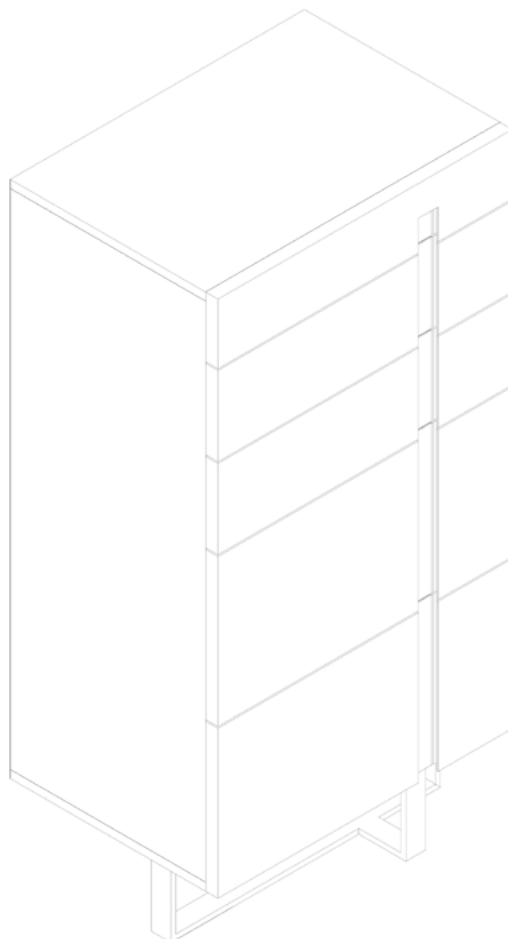
**FIG.**  
**7**



**FIG.**  
**8**

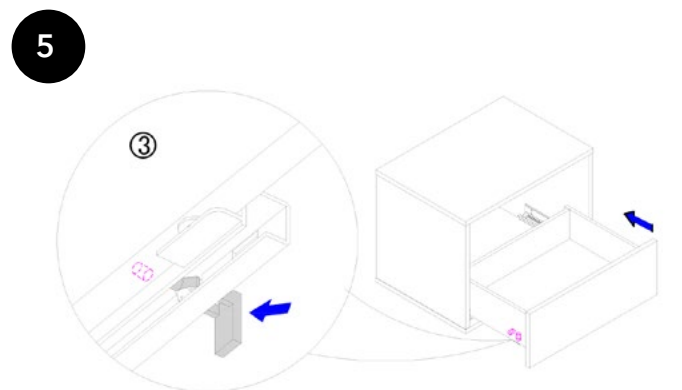
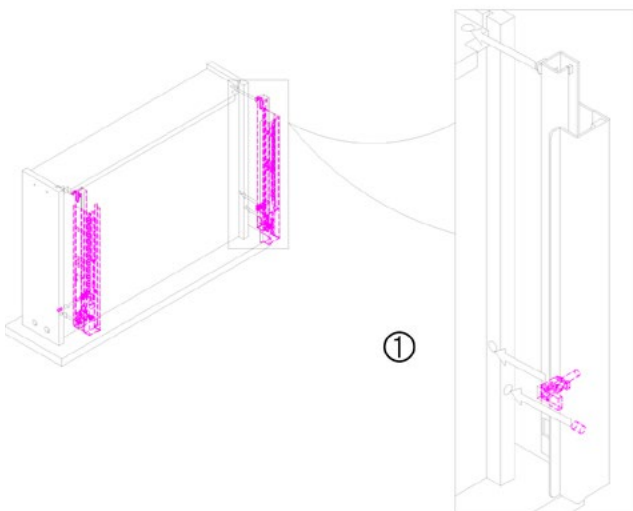
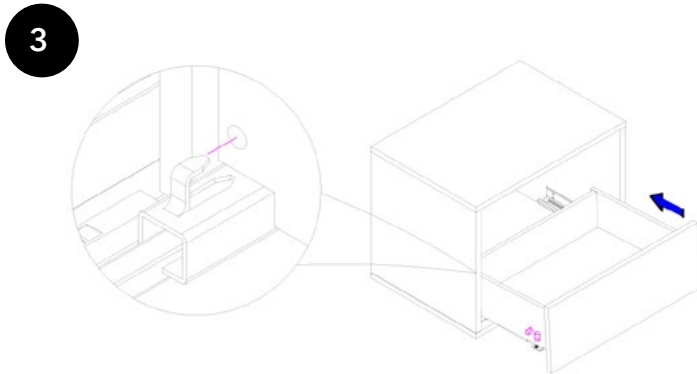
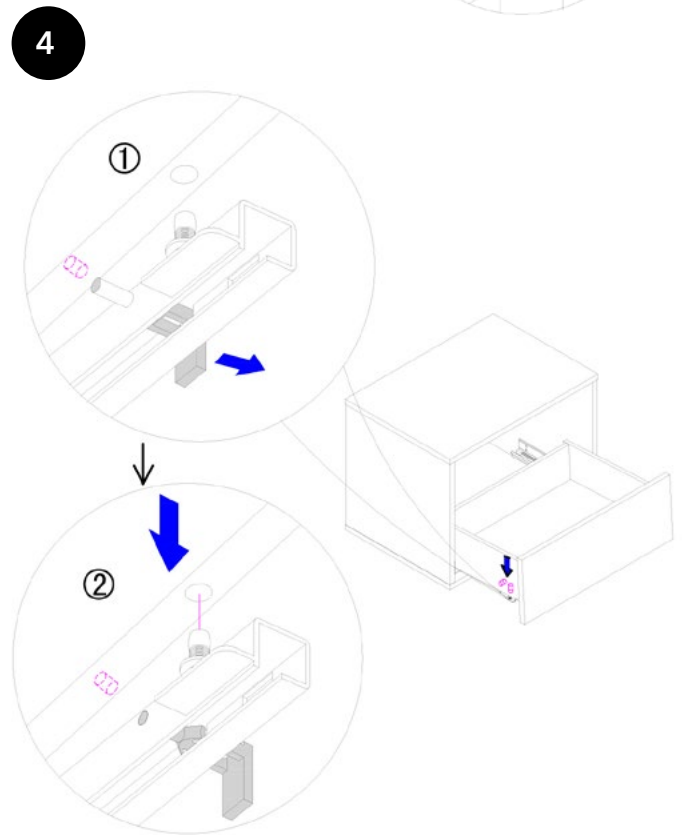
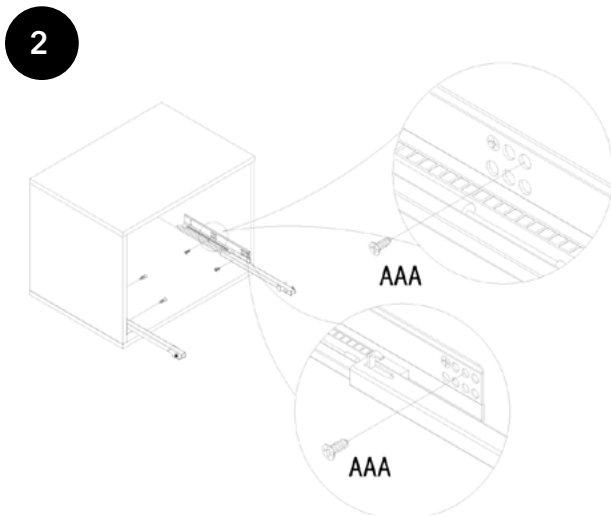
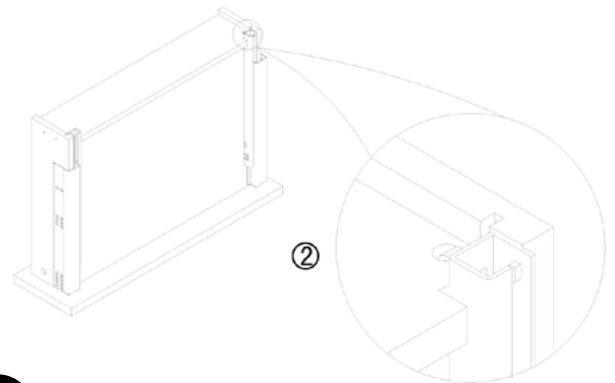
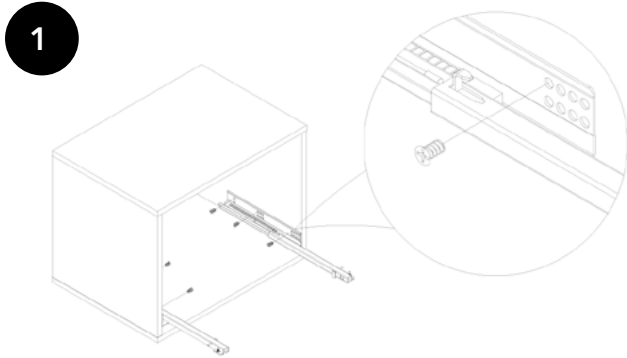


**FIG.**  
**9**



# DRAWER ASSEMBLY

CP1302-A-1136



## DRAWER RENIVAL

## ADJUSTABLE METHOD

