

# ASSEMBLY INSTRUCTION

## 2046-CP1806-G-1770



A x2  
Spec:



B x4  
Spec: M4\*L25

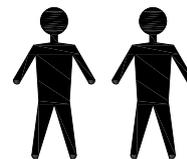
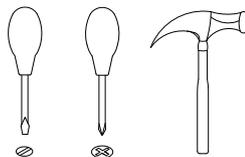


FIG.  
1

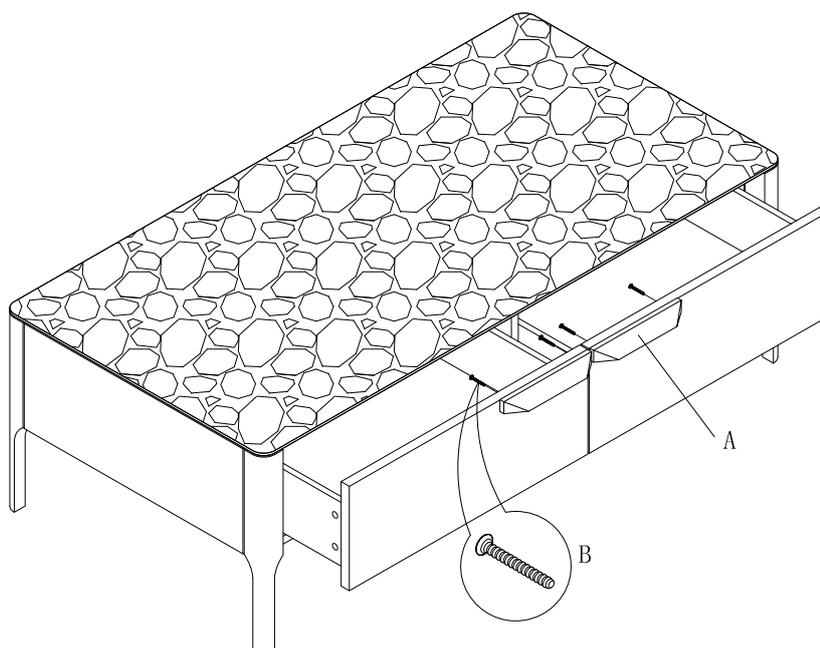


FIG.  
2

