

TECHNICAL CHARACTERISTICS

SBOBXLTEB

# Bob XL

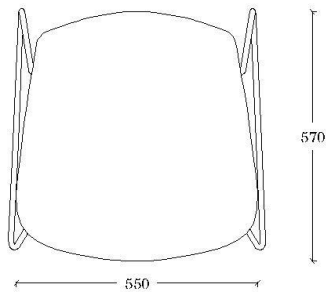
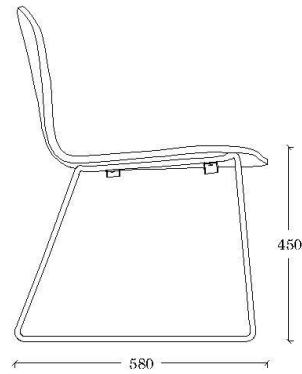
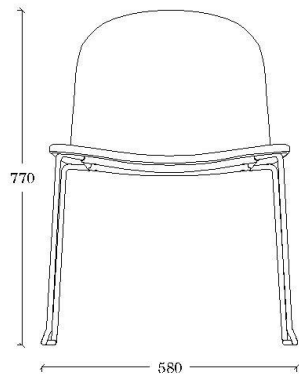
## Sled chair

Because everyone finds comfort in different places, the Bob family adapts to every moment, every life, person and space available... to achieve this, a skid-base version was born, made with a solid metallic rod that may be finished with epoxy or nickel. There is a wide selection of upholsteries and woods available for the seat.

DESIGNED BY NADIA ARRATIBEL



**ondarreta**



### DIMENSIONS

58 cm x 58 cm x 77 cm x 45 cm  
(22,8" x 22,8" x 30,3" x 17,7")  
[width x depth x height x seat  
height]

### WEIGHT

6,5 kg (14,3 lb)

### PACKAGING

Two chairs per box, box dimensions:  
71 cm x 66 cm x 99 cm (24.8" x 19.3"  
x 39")

### CERTIFICATION

Product tested under the European  
standard EN 16139:2013, category of  
general use L1.

### ACCESORIES

Felt glides  
Stacking piece  
Trolley  
Linking piece

### STACKABILITY

Up to 12 units (acquiring the stacking piece)

### ORIGIN

100% Made in Europe

### DESIGN

Nadia Arratibel



## **COMPONENTS**

### **FRAME**

#### **Material**

12 mm (0.5") diameter cold laminated E-220 quality (EN-10305 Normative) steel rod.

Tensile Strength > 310 N/mm<sup>2</sup> (44,960 psi)

Elastic Limit > 220 N/mm<sup>2</sup> (31,900 psi); Elongation > 23%

#### **Finish**

Colour epoxy or nickel

### **SHELL**

#### **Beech**

Beech plywood board shell, 10 mm (0.4") thick. It's made with nine especially treated sheets, glued, pressed and CNC machined.

#### **Fabrics**

8 mm (0.31") thick Beech plywood board shell. Medium density polyether stuffing foam.

#### **Technical characteristics:**

Urea-formol glue: low formaldehyde emission (E1 European Normative)

The wood has the PEFC certificate.

#### **Finish**

Stained, lacquered or fabric.

## **METAL FINISHES**

### **EPOXYS**

Powder covering formulated with polyester resins, with good both mechanical and chemical properties, outdoor maximum resistance and noxious compounds free. Electrostatic application and oven cured at 200°C (392°F).

#### **Technical characteristics:**

Thickness (ISO 2360): between 60 and 90 µm.

Adherence (ISO 2409): Grade: 0 (maximum adherence)

### **NICKEL**

Nickel finish, semi-bright effect. Protects surface from erosion and provides an impurities free surface, increasing the superficial resistance. Acid scrapping, with a 15µm nickel.

#### **Technical characteristics:**

Satisfying salt spray resistance test as ASTM B-117/73 normative

## **WOOD FINISHES**

### **STAIN**

Pigmented enamel with a transparent stain coating. Reactive drying paints: excellent adherence between layers and better mechanical resistance.

### **LACQUER**

Pigmented reactive drying lacquers.



**Technical characteristics:**

Satisfying UNE-EN 71-3 normative; Formaldehyde free compounds.

**COM REQUIREMENTS**

Full fabric: 90 cm (35,4")