



Measures

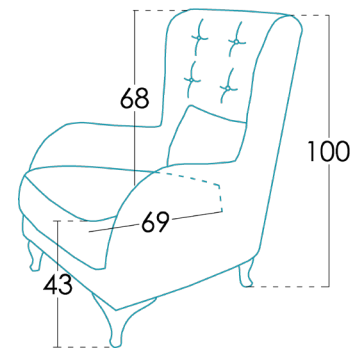
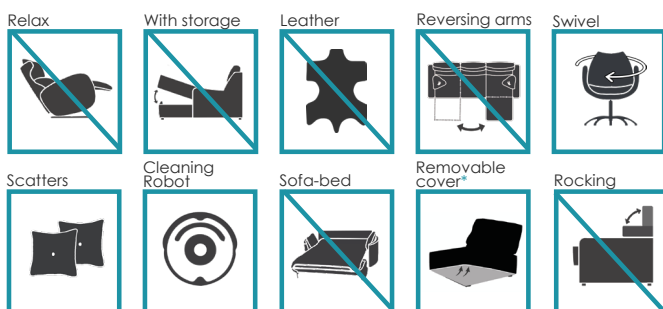
| | |
|-----------------|--------|
| Width | 87 cm |
| Height | 100 cm |
| Depth | 96 cm |
| Seat height | 43 cm |
| Arm height | 55 cm |
| Back height | 68 cm |
| Depth when open | - cm |

Technical information

| | |
|-----------------|---|
| Frame | Frame of pine wood and MDF |
| Seat suspension | N.E.A. |
| Back suspension | Webbing 80mm |
| Seat foam | Polyurethane 35kg + fibre + Polyurethane 35kg |
| Seat firmness | Medium Foam (white) |
| Back cushions | Fibre Fibersilk 100% |
| Loose cushions | Fibre Fibersilk 100% |
| Legs options | Wood |
| Colours | Natural, Walnut |
| Removable cover | Seat and scatters* |
| Guarantee | Frame and seat suspension: lifetime warranty Rest of pieces: 2 years *12-month guaranty extension by activating it on the web |

[Would you like to know more?](#)

Options



Packaging

Packaging made up of shrink wrap and edge protectors.

The packaging comes along with the design. We always optimize it, so that it takes up as little space as possible and it is easy to carry it, avoiding the use of unnecessary packing material.

Sustainability

Our design is responsible as we minimize the impact of industrial activity, optimizing the entire field of design and production.

Every Fama products are PFCs Free.

At Fama Sofas, we recycle 98% of residue and waste, following the environmental policy of our company.



ASTON is manufactured by Fama Sofas, whose quality system is certified by AENOR and IQNET according to the ISO 9001-2015 standards, with the certificate number ES-0790/1999. In addition to the Environmental Management Certificate according to ISO 14001-2019.

All models have passed the tests required for granting the quality control label from Aidima-Cetem laboratories.



ISO 9001



FAMA SOFAS S.L.U.

C/ Dr. Jiménez Díaz s/n - P.O.Box 41
30510 YECLA (Murcia) SPAIN

Tel: 968751050 / info@fama.es / www.fama.es