

Jermain

CHAIR

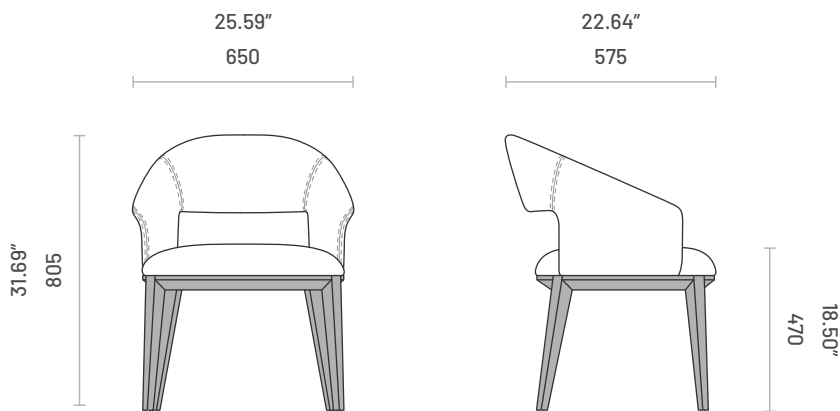
Jermain is the ultimate versatile chair. It's possible to customize the base into two distinct options: wooden or metallic. The wooden base presents four legs with an angular cut for an architectural design. The metallic option features a metallic four-star feet with a swivel system, perfect for office ambiance. Jermain stars a convex back that elongates to a discreet armrest with a slight open bend for extreme comfort. Also, an elegant opening on the back brings a touch of contemporary style.

This piece is an extraordinary and timeless design, the result of an elaborate manufacturing process.

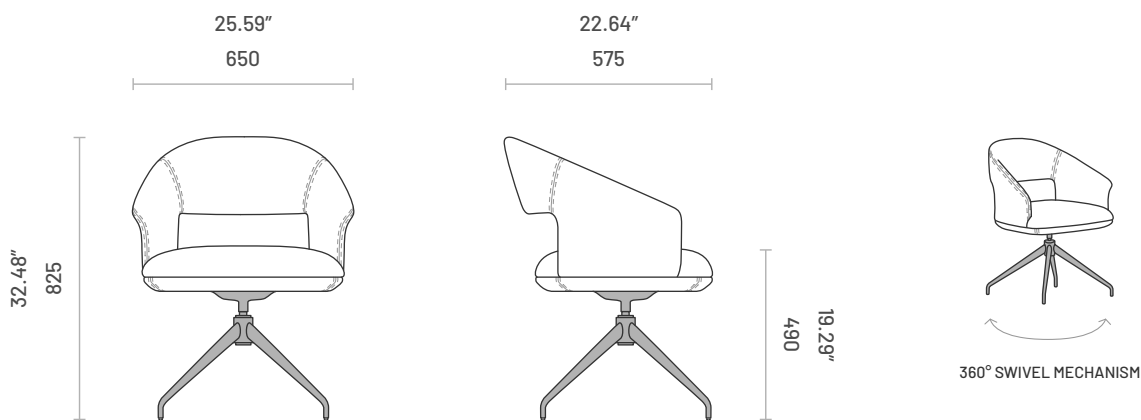


Specifications

Dimensions (Wood feet)



Dimensions (Metal feet)



Technical Information

Frame

Structure: Solid pine wood, plywood and MDF
 Feet: Solid ash wood or steel

Padding

Seat: 23kg/m³, 40kg/m³ polyurethane foam and 100gr polyester fiber
 Backrest: 23kg/m³, 30kg/m³, 60kg/m³ polyurethane foam

Materials and Finishes

Overview







Available Finishes



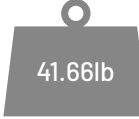



	1	2	3
Fabrics			
Aldan	●	●	—
Arno	●	●	—
Astoria	●	●	—
Avalon	●	●	—
Bergen	●	●	—
Brampton	●	●	—
Clarence	●	●	—
Columbia	●	●	—
Devon	●	●	—
Galway	●	●	—
Helmand	●	●	—
Hudson	●	●	—
Osaka	●	●	—
Provence	●	●	—
Synthetic Leathers			
Rupert	●	●	—
Natural Leathers			
Albany	—	—	—
Aspen*	●	●	—
Dover*	●	●	—
Wood Stains			
Sand Ash	—	●	—
Stone Ash	—	●	—
Mocha Ash	—	●	—
Tabac Ash	—	●	—
Graphite Ash	—	●	—
Lacquers			
Bone	—	●	—
Taupe	—	●	—
Olive	—	●	—
Syrah	—	●	—
Ocean	—	●	—
Black	—	●	—
Metal Feet			
Silver Polished	—	—	●
Black Matte	—	—	●

*A **minimum order of 2 units** is required for natural leather colors that are **not included** in the Domkapa Sample Box (colors **not marked** with the golden ribbon on the Materials and Finishes document).

COM Fabric and Leather Requirements

Item	1	
Jermain Chair - Wood	Fabric  2.00 lm 6.56 ft	Leather  4.00 m2 43.20 ft2
Jermain Chair - Metal	Fabric  2.00 lm 6.56 ft	Leather  4.00 m2 43.20 ft2

Packaging Information

Item	Number of Packages	Packaging Dimensions	Packaging Weight	
Jermain - Wood	 *1 chair per package	Width: 700mm (27.56") Depth: 660mm (25.98") Height: 920mm (36.22") Volume: 0.425m ³ (15.01ft ³)	 18.90kg	 41.66lb
Jermain - Metal	 *1 chair per package	Width: 700mm (27.56") Depth: 660mm (25.98") Height: 920mm (36.22") Volume: 0.425m ³ (15.01ft ³)	 21.80kg	 48.06lb