

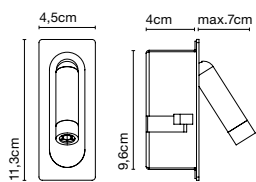
# Ledtube

## Daniel López

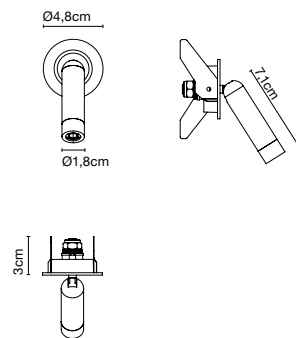
**marset**



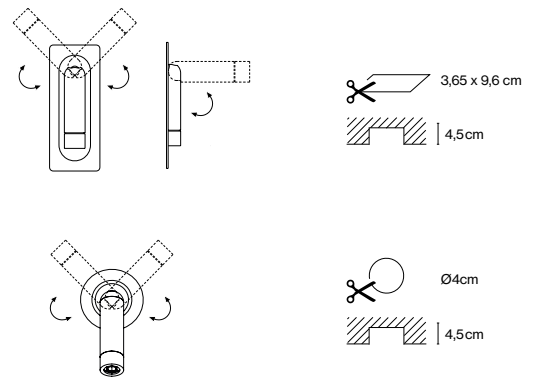
**Ledtube mini**



**Ledtube mini spot**



**Range of positions**



The Ledtube mini offers a new size to fill the gap: the same design but smaller and more compact while maintaining the proportions of the original.



**Ledtube mini**

LED 3,6W 700mA 2700K  
CRI90  
Light source - 132lm  
(included)

**Ledtube mini spot**

LED 3,6W 700mA 2700K  
CRI90  
Light source - 132lm  
(included)

Optics



Injected aluminium structure and a frontal piece of transparent polycarbonate. Honeycomb grill to avoid glare. Incorporated switch to turn the lamp on when opened and off when folded away, except in the spot version.

- Aluminium
- Matte white (RAL 9010)
- Matte black (RAL 9005)
- Bronze

- [Download](#) Assembly instructions
- [Download](#) Energy label
- [Download](#) 2D
- [Download](#) 3D
- [Download](#) Photometric data

**Range**

