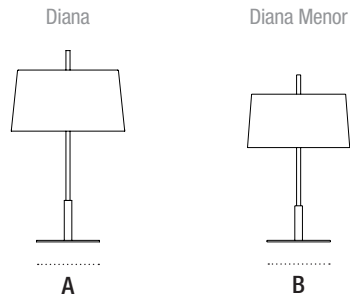


Diana / Diana Menor

Federico Correa, Alfonso Milá, Miguel Milá, 1995

Table lamps



Slender, firm and clear, the Diana lamp combines functional and compositional sobriety. A central metal shaft of variable diameter supports a slightly conical wide circular white linen shade.

GENERAL DESCRIPTION

Satin nickel or golden structure.

White linen lampshade with translucent white cardboard upper diffuser.

Electric cable length: 3,5 m / 136.5".

LIGHT SOURCE

(A)

Recommended light sources
(adjustable):

2 x LED bulb: 12 W

2 x Compact fluorescent: 20 W

2 x Incandescent: Max. 60 W

E27 - E26 (Max. hgt. 130 mm / 5.1")

Light source not included.

Dimmer included.

Compatible with bulbs of the energy
efficiency class (E.E.C): A++... E.

Lamp suitable only for indoor use.

Always use the light source
recommended or equivalent.

Input voltage: 100, 120, 230 VAC.

(50 Hz / 60 Hz) According to destination.

(B)

Recommended light sources
(adjustable):

2 x LED bulb: 12 W

2 x Compact fluorescent: 11 W



2 x Incandescent: Max. 40 W

E27 - E26 (Max. hgt. 115 mm / 4.5")

APPROXIMATE WEIGHT (unpacked)

- (A) Diana: 4 kg / 8.8 lb
(B) Diana Mayor: 3,8 kg / 8.3 lb

REGULATIONS

CE	
 IP 20	Non-class 2 Dry location only
UNE-EN 60598	UL-153
UNE-EN 55015	E-352592
UNE-EN 60529	

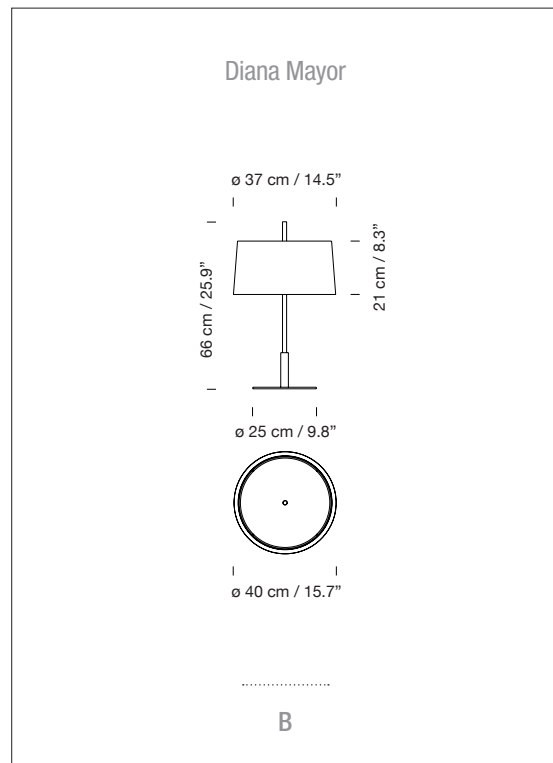
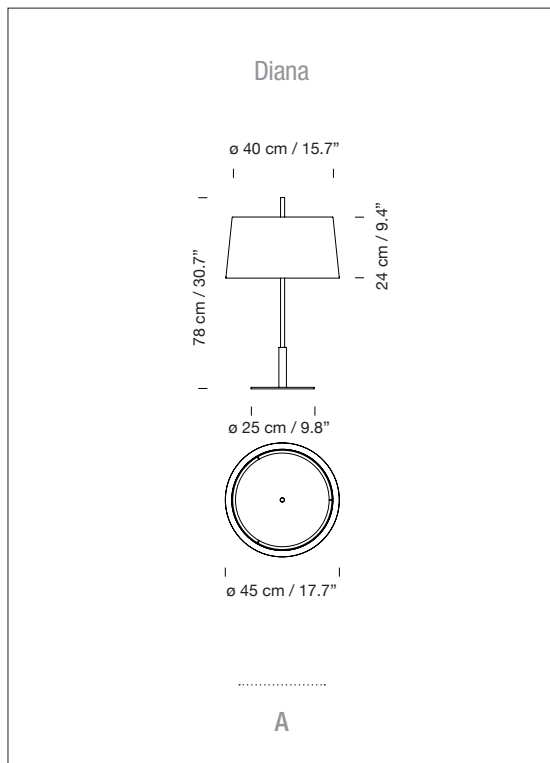
MAINTENANCE

Clean with a smooth cloth. It is advised not to use any ammonia, solvent or abrasive products.

OTHERS

The lamp are delivered in different packets.
The assembly instructions are delivered with the product.

MODELS



Collection

Floor lamps



Diana / Diana Mayor

Tables



Diana