



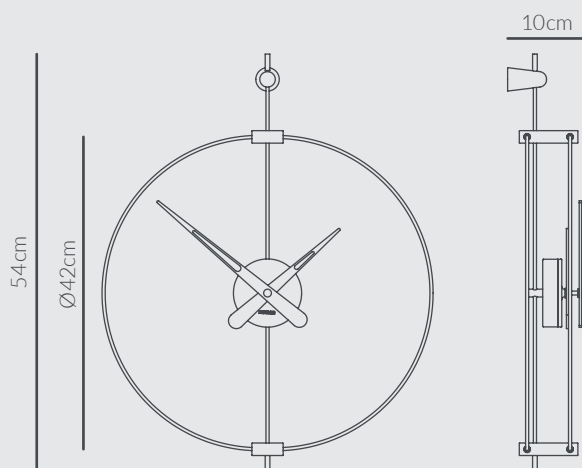
MICRO BARCELONA

Technical Information

nomon
JEWELRY FOR HOME

MICRO BARCELONA

Technical Information



MATERIALS

AGUJAS / HANDS

Nogal natural / Solid walnut wood

CAJA / BOX

Latón pulido o acabado grafito / Polished brass or graphite finished

MECANISMO / MECHANISM

UTS Alemán / UTS German

PACKAGING

Peso / weight: 1,50 Kg

Peso volumétrico / Volumetric weight: 2,20 Kg

