

Milos coffee table

by Jean-Marie Massaud

The Milos collection is the fruit of **Vondom's first collaboration with French designer Jean-Marie Massaud**. An example of how simplicity and functionality can be combined to create an elegant and comfortable outdoor furniture collection. Characterised by soft curves, this collection focuses on comfort. A collection that won the Red Dot Design Award 2024.



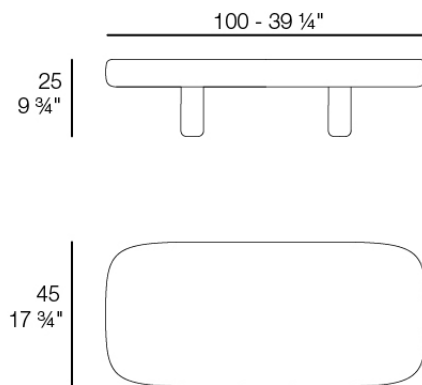
Info

Description

The coffee tables represent the essence of the Mediterranean lounge style of the Milos collection. These tables are manufactured, featuring a cement surface available in different finishes.

They stand out for their iroko wood legs, which not only add a touch of warmth and sophistication, but also ensure the stability and connection with nature that is characteristic of Milos.

Weight: 36.4 Kg

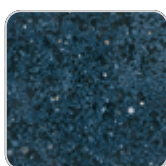


MILOS Mesa Centro 100 x 45
MILOS Low Table 39 1/4 x 17 3/4"
Ref. 70017

Finishes

finishes

CEMENT
Ref. 70017



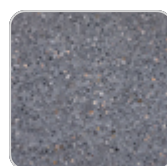
note blue



crema



castor fiber



traffic gray



modo green



purjai red

Ambients

