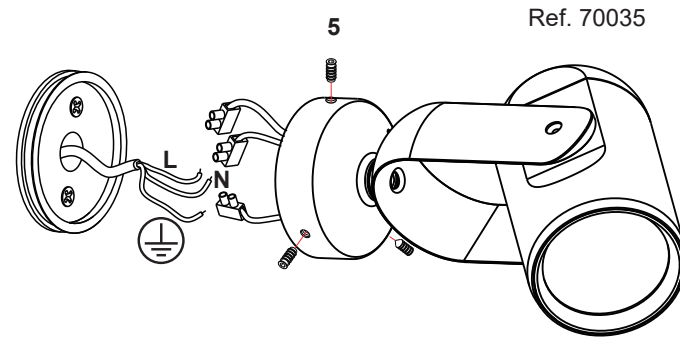


Ref. 70036

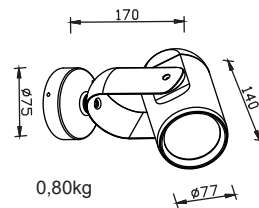


Ref. 70035

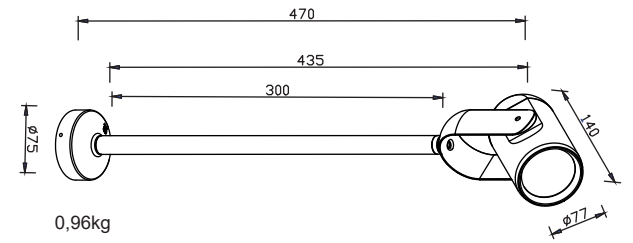
TECHNICAL FEATURES - CARACTERÍSTICAS TÉCNICAS

SMD LED 14W 3000K 920Lm 28° INCL.

	IP65 IK08	DRIVER IN	100V-240V ~50Hz/60Hz	Ty 1,5m H05RN-F 2x1mm ²



0,80kg
1,76lb



0,96kg
2,11lb

